

PETROL ENGINE SETTING/LOCKING TOOL KIT FOR BMW M52/M54/M56.

1. SAFETY INSTRUCTIONS

- WARNING!** Ensure Health and Safety, local authority and general workshop practice regulations are adhered to when using tools.
- DO NOT** use tools if damaged.
- Maintain tools in good and clean condition for best and safest performance.
- Ensure that a vehicle which has been jacked up is adequately supported with axle stands.
- Wear approved eye protection. A full range of personal safety equipment is available from your Sealey dealer.
- Wear suitable clothing to avoid snagging. Do not wear jewellery and tie back long hair.
- Account for all tools, locking bolts, pins and parts being used and do not leave them in or near the engine.
- WARNING!** Incorrect or out of phase camshaft timing can result in contact between the valve head and the piston crown causing damage to the engine.

IMPORTANT: Always refer to the vehicle manufacturer's service instructions, or a proprietary manual, to establish the current procedure and data.

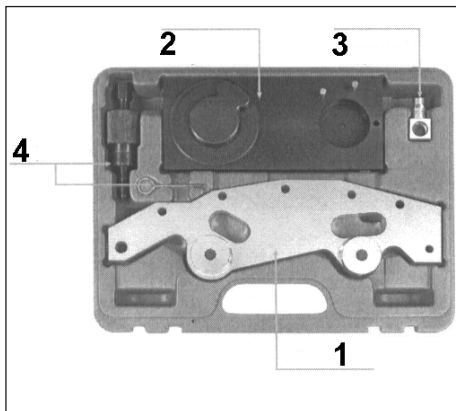
2. INTRODUCTION & APPLICATION

2.1 Introduction

Suitable for setting and locking camshafts on chain-driven BMW Vanos engines. Set includes set-up bracket, chain tensioner locking pin, secondary sprocket tool and primary chain tensioner tool.

Contents: Set-up Bracket, Chain Tensioner Locking Pin, Secondary Sprocket Tool, Primary Chain Tensioner Tool.

Application: BMW 528i, X5, E46, Z3, Z4, 325, 525, M52, M54 and M56 engines.



Item:Part No:	Description:
1 VSE134-01	ALUMINIUM PLATE
2 VSE134-02	PLASTIC LOCKING BLOCK
3 VSE134-03	AIR CONNECTION TOOL
4 VSE134-04	SPECIAL TOOL



NOTE: It is our policy to continually improve products and as such we reserve the right to alter data, specifications and component parts without prior notice. **IMPORTANT:** No liability is accepted for incorrect use of product. **WARRANTY:** Guarantee is 12 months from purchase date, proof of which will be required for any claim. **INFORMATION:** For a copy of our latest catalogue and promotions call us on 01284 757525 and leave your full name and address, including postcode.