



Ø8MM WI-FI BORESCOPE

MODEL NO: **VS8113**

Thank you for purchasing a Sealey product. Manufactured to a high standard, this product will, if used according to these instructions, and properly maintained, give you years of trouble free performance.

IMPORTANT: PLEASE READ THESE INSTRUCTIONS CAREFULLY. NOTE THE SAFE OPERATIONAL REQUIREMENTS, WARNINGS & CAUTIONS. USE THE PRODUCT CORRECTLY AND WITH CARE FOR THE PURPOSE FOR WHICH IT IS INTENDED. FAILURE TO DO SO MAY CAUSE DAMAGE AND/OR PERSONAL INJURY AND WILL INVALIDATE THE WARRANTY. KEEP THESE INSTRUCTIONS SAFE FOR FUTURE USE.



Refer to instructions

1. SAFETY

1.1. GENERAL SAFETY

- ✓ Always perform automotive testing in a safe environment.
- ✓ Keep your work area clean and well lit.
- ✓ Keep clothing, hair, hands, tools, test equipment, etc. away from all moving or hot engine parts.
- ✓ Operate the tool in a well-ventilated work area.
- ✗ **DO NOT** operate the tool in explosive atmospheres, such as in the presence of flammable liquids, gases, or heavy dust.
- ✗ **DO NOT** use the tool around corrosive chemicals which can damage the tool.
- ✗ **DO NOT** abuse the flexible cable. Never use the flexible cable to carry the tool.
- ✗ **DO NOT** drop the borescope, it is not shock proof.
- ✓ Keep bystanders and children away while operating the tool.
- ✓ Keep the tool dry, clean, free from oil, water and grease.
- ☐ **WARNING:** The handheld display unit is **NOT** waterproof.
- ✓ Handle the borescope with care. If it is dropped, check for breakage and any other conditions which may affect its operation.
- ✗ **DO NOT** immerse the imager head and cable into corrosive substances, petroleum or oil.
- ✗ **DO NOT** use near moving machinery.
- ✗ **DO NOT** use excessive force to insert or withdraw the imager head or cable.
- ✗ **DO NOT** use the tool while tired or under the influence of drugs, alcohol, or intoxicating medication.
- ✗ **DO NOT** over-reach. Maintain proper footing and balance at all times.
- ✗ **DO NOT** use the tool for personal or medical use in any way.

1.2. CHARGING SAFETY

- ✓ Use only the supplied charger.
- ✓ Allow clearance all around the charger to allow cooling.
- ✓ Disconnect the charger from the electrical supply when not in use.
- ✗ **DO NOT** charge in an explosive atmosphere or in the presence of flammable material.
- ✗ **DO NOT** leave camera unattended whilst recharging.
- ✗ **DO NOT** exceed the maximum charging time.

- 1.3. The warnings, precautions and instructions discussed in this instruction manual cannot cover all possible conditions and situations that may occur. It must be understood by the operator that common sense and caution are factors which cannot be built into this product, but must be supplied by the operator.

2. INTRODUCTION

Ø8mm Wi-Fi Borescope, compatible with iOS, Android and Windows operating system. IP67 Rated camera and cable up to LED light control switch. Up to 720HD resolution. 2m Pixel camera with 6 LEDs and a 800mAh battery. The kit includes charging cable, hook, magnet and side mirror. Cable length of 5m. Transmission distance within 5-30m.

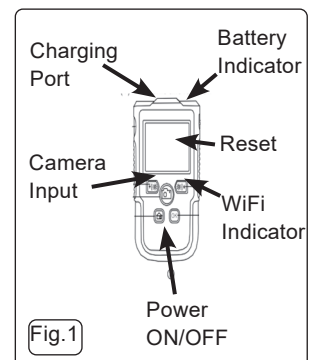
3. SPECIFICATION

Model:VS8113
 Camera Probe Length: 5m
 Camera: Ø8.0mm
 Pod Length: 45mm
 Power Source: 800mAh Battery
 Record Function (Video + Still) Yes
 Screen Resolution: 640 x 480, 1280 x 720
 Viewing Angle: 70°
 Accessories 45° Mirror, Magnetic Pick-up and Hook

4. OPERATION

4.1. BATTERY CHARGING

- 4.1.1. Insert the USB plug into the charging port (fig.1), then plug the other end into a suitable power socket.
- 4.1.2. When charging commences, the battery charging indicator (fig.1) will light red.



- 4.1.3. When the charge is complete, the charging indicator will turn off.
- 4.1.4. When charging is complete, disconnect the charging lead from the power supply and from the charging port.
- 4.1.5. When connected to a wireless signal, the WiFi Indicator will show green.

4.2. SOFTWARE FOR BORESCOPE

- 4.2.1. For an IOS device use APP Store to download the "WiFi Check" application

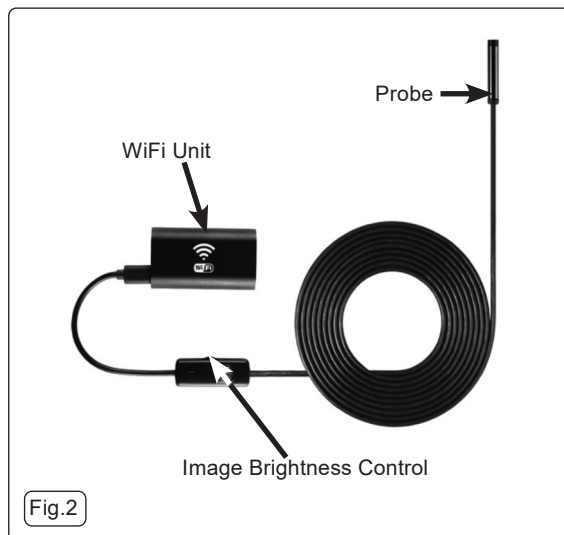
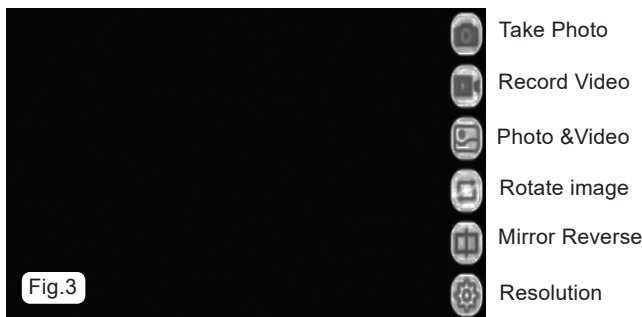


and install it.

- 4.2.2. For an Android device, use Google Play to download the "WiFi Check" application and install it.
- 4.2.3. For a PC, download the software from http://app.joyhonest.com/wifi_check_pc.html and install it.
- 4.2.4. Connect borescope as fig.2 and turn on using On/Off button (fig.1).
- 4.2.5. Search for the WiFi signal "WiFi Check" on your device and connect to it.

4.3. RUNNING THE SOFTWARE

- 4.3.1. Open the installed software and start real-time viewing.
- 4.3.2. Use the software controls to set up and record your work.
- 4.3.3. Control options are shown in fig.3 below.
- 4.3.4. Image brightness can be altered using the roller switch (fig.2).



5. MAINTENANCE

5.1. CLEANING

- * **DO NOT** use abrasive or solvent cleaners. Use a mild detergent on a soft cloth, taking care not to put excessive pressure on the display screen.



ENVIRONMENT PROTECTION

Recycle unwanted materials instead of disposing of them as waste. All tools, accessories and packaging should be sorted, taken to a recycling centre and disposed of in a manner which is compatible with the environment. When the product becomes completely unserviceable and requires disposal, drain any fluids (if applicable) into approved containers and dispose of the product and fluids according to local regulations.



WEEE REGULATIONS

Dispose of this product at the end of its working life in compliance with the EU Directive on Waste Electrical and Electronic Equipment (WEEE). When the product is no longer required, it must be disposed of in an environmentally protective way. Contact your local solid waste authority for recycling information.



BATTERY REMOVAL

Under the Waste Batteries and Accumulators Regulations 2009, Jack Sealey Ltd are required to inform potential purchasers of products containing batteries (as defined within these regulations), that they are registered with Valpak's registered compliance scheme. Jack Sealey Ltd Batteries Producer Registration Number (BPRN) is BPRN00705.

Note: It is our policy to continually improve products and as such we reserve the right to alter data, specifications and component parts without prior notice.

Important: No Liability is accepted for incorrect use of this product.

Warranty: Guarantee is 12 months from purchase date, proof of which is required for any claim.

Sealey Group, Kempson Way, Suffolk Business Park, Bury St Edmunds, Suffolk. IP32 7AR



01284 757500



01284 703534



sales@sealey.co.uk



www.sealey.co.uk