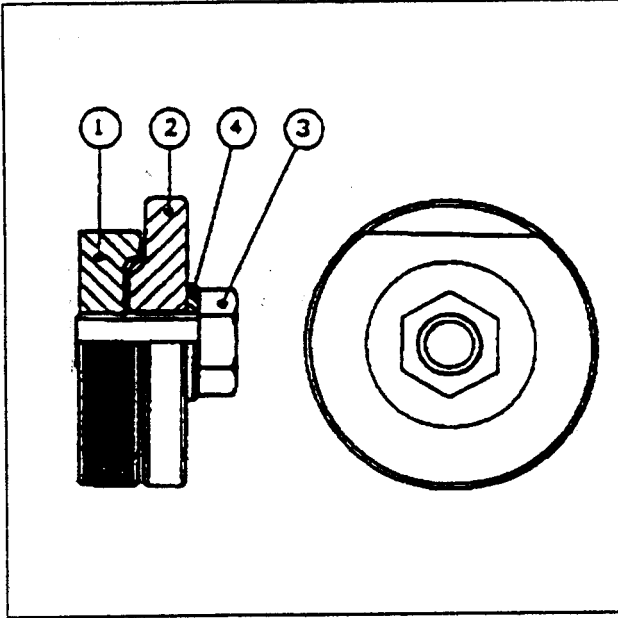


VS800

DOOR LOCK HOLE PLANNISHING TOOL

UNIVERSAL



STANDARD PARTS LIST

- | | | |
|----|---------|-------------------|
| 1. | VS800/1 | Planishing Tool |
| 2. | VS800/2 | Planishing Tool |
| 3. | VS800/3 | Washer |
| 4. | VS800/4 | M12 Hex Set Screw |

Applications

Universal:- Most Cars And Light Vans

Introduction

Door lock repair tool for reforming damage to the door panel around lock arising from attempts to force entry to vehicle.

Instructions for use.

The male and female plates are placed either side of the door panel in the key hole aperture.

The screw is inserted and tightened to reform the damaged panel.

The plates are reversible for use on a variety of vehicles.