

SEALEY

Professional TOOLS

AUTO SERVICE LINE

INSTRUCTIONS FOR: BEARING RACE & SEAL DRIVER SET - 10 PIECE

Model No: VS703.V4

Thank you for purchasing a Sealey Product. Manufactured to a high standard this product will, if used according to these instructions and properly maintained, give you years of trouble free performance.



IMPORTANT: PLEASE READ THESE INSTRUCTIONS CAREFULLY. NOTE THE SAFE OPERATIONAL REQUIREMENTS, WARNINGS AND CAUTIONS. USE THIS PRODUCT CORRECTLY AND WITH CARE FOR THE PURPOSE FOR WHICH IT IS INTENDED. FAILURE TO DO SO MAY CAUSE DAMAGE AND/OR PERSONAL INJURY AND WILL INVALIDATE THE WARRANTY. PLEASE KEEP INSTRUCTIONS SAFE FOR FUTURE USE.

1. SAFETY INSTRUCTIONS

- ❑ **WARNING!** Ensure Health & Safety, local authority, and general workshop practice regulations are adhered to when using this equipment.
- ❑ **WARNING!** Always wear approved eye protection when using the driver. Failure to do so may result in serious injury. Normal spectacles are not adequate protection.
- ✓ Familiarise yourself with the specific applications and limitations of the driver, as well as any potential hazards.
- ✓ If unsure of the applications or limitations of the driver, contact your supplier.
- ✓ Ensure that the driver is the correct tool for the task. **DO NOT** use the driver for any purpose other than that for which it is designed.
- ✓ Replace or repair damaged parts. Use genuine parts only. Unauthorised parts may be dangerous and will invalidate the warranty.
- ✓ Ensure that the workpiece is stable and that there is adequate lighting.
- ✓ Maintain correct balance and footing. Ensure the floor is not slippery and wear non-slip shoes.
- ✓ Use the correct size and type of hammer for the task. The recommended diameter of hammer face is 10mm larger than tool head. Check that the hammer handle is in good order and is firmly secure in the hammer head. Note that for seal installation a soft-faced hammer should be adequate and will be less likely to damage the tool.
- ✓ Make sure that the face of the hammer and the head of the tool are clean and free from grease, oil, etc.
- ✓ Position the tool so that it is struck away from your body.
- ✓ Strike the driver squarely on the head - **DO NOT** hit the tool off centre, or at an angle (fig.1).
- x **DO NOT** use the driver if it is bent, chipped, has a mushroom head, or is otherwise damaged (fig.2).
- x **DO NOT** strike the side of the driver body (fig.3).
- x **DO NOT** use driver if any parts are damaged or missing as this may cause failure and/or personal injury.
- x **DO NOT** use the driver when you are tired or under the influence of alcohol, drugs or intoxicating medication.
- ✓ Keep children and unauthorised persons away from the working area.
- ✓ When not in use, pack into the case, and store in a safe, dry, childproof location.

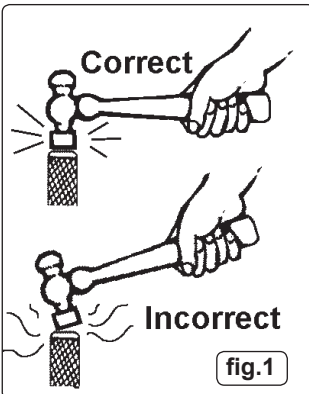


fig.1

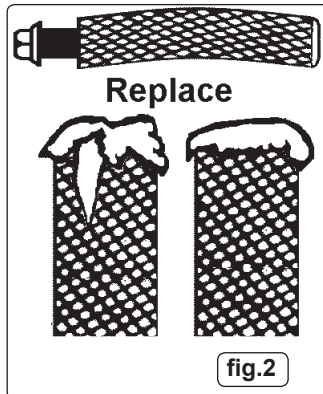


fig.2

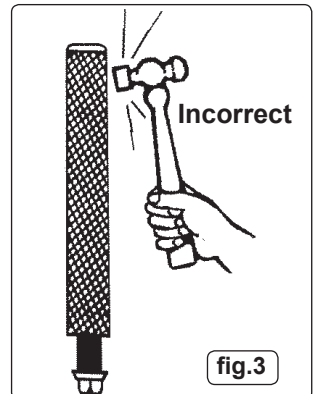


fig.3

2. OPERATION

2.1. Content

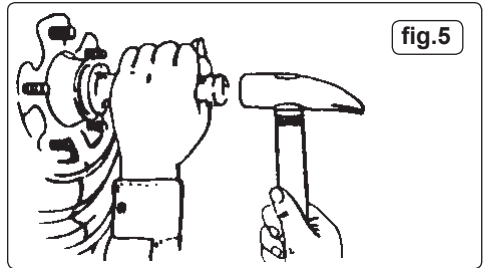
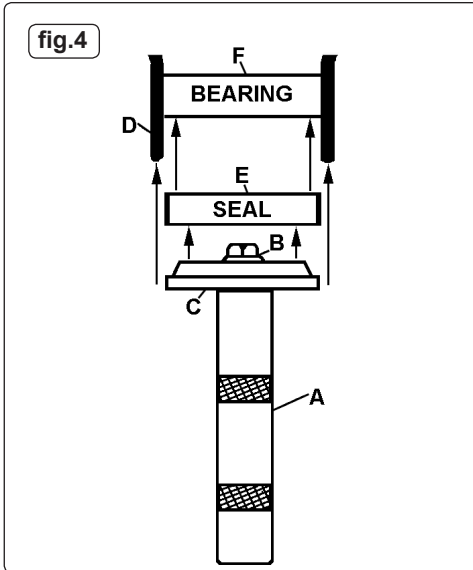
2.1.1. Check the contents (see parts below) and contact your supplier if any items are missing or damaged.

2.2. Usage

2.2.1. Remove bolt (fig.4.B) from handle (fig.4.A).

2.2.2. Select the correct adaptor (fig.4.C), one which is slightly **smaller** than the diameter of the seal/bearing race, and position it correctly on the handle, secure it using the bolt.

2.2.3. Place the seal/bearing race (fig.4.E or F) in the mouth of the housing (fig.4.D), place adaptor against it and tap the driver handle to force it into place (fig.5).



3. PARTS

VS703.V4-00	HANDLE	VS703.V4-05	ADAPTOR, 63mm
VS703.V4-01	ADAPTOR, 39.5mm	VS703.V4-06	ADAPTOR, 65mm
VS703.V4-02	ADAPTOR, 44.5mm	VS703.V4-07	ADAPTOR, 72mm
VS703.V4-03	ADAPTOR, 50mm	VS703.V4-08	ADAPTOR, 76mm
VS703.V4-04	ADAPTOR, 59mm	VS703.V4-09	ADAPTOR, 81mm



ALWAYS WEAR SAFETY GOGGLES WHEN USING DRIVERS

Users of drivers are reminded that damage to the striking faces can take place and we recommend that safety goggles are worn when using this tool.

NOTE: It is our policy to continually improve products and as such we reserve the right to alter data, specifications and component parts without prior notice.

IMPORTANT: No liability is accepted for incorrect use of this product.

WARRANTY: Guarantee is 12 months from purchase date, proof of which will be required for any claim.

INFORMATION: For a copy of our latest catalogue and promotions call us on 01284 757525 and leave your full name and address, including postcode.



Sole UK Distributor, Sealey Group,
Kempson Way, Suffolk Business Park,
Bury St. Edmunds, Suffolk,
IP32 7AR



01284 757500



01284 703534



www.sealey.co.uk



sales@sealey.co.uk