



INSTRUCTIONS FOR
**OIL FILTER CAP WRENCH SET,
 13PC EURO VEHICLES**
 Model: **VS7004**

Thank you for purchasing a Sealey product. Manufactured to a high standard this product will, if used according to these instructions and properly maintained, give you years of trouble free performance.

⚠ IMPORTANT: PLEASE READ THESE INSTRUCTIONS CAREFULLY. NOTE THE SAFE OPERATIONAL REQUIREMENTS, WARNINGS & CAUTIONS. USE THE PRODUCT CORRECTLY AND WITH CARE FOR THE PURPOSE FOR WHICH IT IS INTENDED. FAILURE TO DO SO MAY CAUSE DAMAGE AND/OR PERSONAL INJURY AND WILL INVALIDATE THE WARRANTY. PLEASE KEEP INSTRUCTIONS SAFE FOR FUTURE USE.

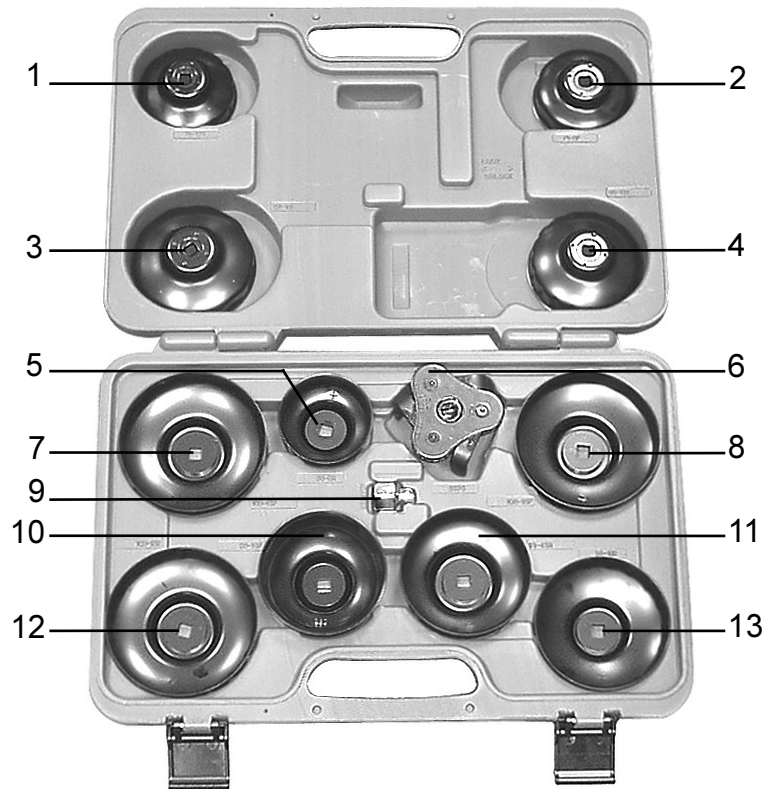
1. SAFETY INSTRUCTIONS

- ✓ Replace damaged parts. *Use recommended parts only. Unauthorised parts may be dangerous and will invalidate the warranty.*
- ✓ Keep the wrench set clean and in good working order for best and safest performance.
- ✓ Wear appropriate protective clothing.
- ✓ Use the set in a suitable working area. Keep area clean and tidy, and free from unrelated materials and ensure that there is adequate lighting.
- ✓ Ensure that the floor is not slippery and wear non-slip shoes.
- ✓ Keep children and unauthorised persons away from the work area.
- ✓ Dispose of waste liquids in accordance with local authority regulations.
- ☐ **WARNING!** *DO NOT allow uncontrolled discharge of fluids which would pollute the environment.*
- ☐ **WARNING!** *This set is for use only in the removal of filters. You should not attempt to fit a filter using this equipment, due to the risk of over-tightening which could damage the filter and lead to further complications (consult vehicle manufacturer's guide for specific instructions).*

2. DESCRIPTION

Designed primarily for Euro vehicles – Audi, Fiat, Renault, Volvo, VW.
 Cap type filter wrenches, made from 7 and 16 gauge steel, will withstand up to 85lb.ft of torque. Designed to grip like sockets, thereby minimising the possibility of crushing filters. Includes adjustable oil filter tool. Adaptor allows use with 3/8" or 1/2" square drive wrenches. Supplied in carry-case.

3. CONTENTS



- | | | | |
|----|---------------|-----|---------------|
| 1. | VS7004-76.12 | 8. | VS7004-106.15 |
| 2. | VS7004-76.08 | 9. | VS7004-APT |
| 3. | VS7004-92.10 | 10. | VS7004-86.16 |
| 4. | VS7004-86.18 | 11. | VS7004-93.45 |
| 5. | VS7004-66.06 | 12. | VS7004-108.18 |
| 6. | VS7004-FTO | 13. | VS7004-96.18 |
| 7. | VS7004-108.15 | | |

4. APPLICATIONS

- 4.1 Below is a brief description of each piece within the set, followed by a list of cars using compatible filters. Please note that the list is offered as a guide and is by no means exhaustive.
- 4.2 Always consult the vehicle manufacturer's guide for specific instructions regarding the removal of an oil filter.



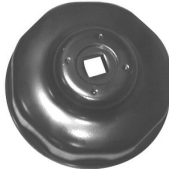
VS7004-66.06

66mm (2-19/32") 6 flutes, 1 step.
 Fiat: Punto 1.2
 Renault: Clio 1.2, Express, Kangoo, Rapid, Twingo



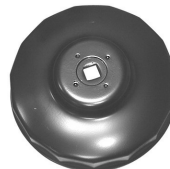
VS7004-96.18

96mm (3-3/4") 18 flutes, 1 step.
 Audi: A4 TDi
 VW: Passat 97 Tdi
 Renault: Laguna 2.2D, Safrane 2.2D, Espace 2.2D, R19 2.2D, Rapid, Megane 1.9/2.1D Tdi.



VS7004-76.08

76mm (3") 8 flutes, 1 step.
 Fiat: Marea
 Lancia: Delta



VS7004-106.15

106mm (4-11/64") 15 flutes, 1 step.
 Fiat: Ducato 2.5D Td



VS7004-76.12

76mm (3") 12 flutes, 1 step.
 Fiat: Ducato, Scudo, Ulysee
 Renault: Megane, Laguna, Espace III



VS7004-108.15

108mm (4-8/32") 15 flutes, 1 step.
 Volvo: C70, S70, V70, Tdi, TD 850 Tdi, TD



VS7004-86.16

86mm (3-3/8") 16 flutes, 1 step.
 Volvo: S40, S60, S70, S80



VS7004-108.18

108mm (4-8/32") 18 flutes, 1 step.
 Renault: Espace, Laguna, Master, Safrane, Traffic 2.4, 2.5, 2.8D TD



VS7004-86.18

86mm (3-3/8") 18 flutes, 1 step.
 VW: Golf (MK III, Tdi), Passat Tdi
 Audi: A6 Tdi,
 Renault: Clio, Rapid 1.9D, Laguna, Safrane, Espace 2.1D
 Citroen: Various
 Peugeot: Various



VS7004-FTO

3 legged oil filter tool 65 - 120mm



VS7004-92.10

92mm (3-40/64") 10 flutes, 1 step
 Fiat: Cinquecento, Coupe, Croma, Panda, Regata, Ritmo, Seicento, Tempra, Tipo
 Lancia: Beta, Dedra, Kappa, Monte Carlo, Prisma, Thema, Trevi



VS7004-APT

Adaptor 3/8" - 1/2" square drive.



VS7004-93.45

93mm (3-21/32") 45 flutes, 1step.
 VW: Various
 Audi: TDi 2.4, 2.6, 2.8L

5. SPARE PARTS

All items listed above are available as spare parts and may be ordered through your authorised Sealey dealer.

NOTE: It is our policy to continually improve products and as such we reserve the right to alter data, specifications and component parts without prior notice.

IMPORTANT: No liability is accepted for incorrect use of this product.

WARRANTY: Guarantee is 12 months from purchase date, proof of which will be required for any claim.

INFORMATION: Call 01284 757525 for our catalogue & promotions. Leave your full name, address & postcode.



Sole UK Distributor,
Sealey Group, Bury St. Edmunds, Suffolk.

01284 757500

01284 703534

sales@sealey.co.uk

www.sealey.co.uk