

Instructions for:  
**CRANKSHAFT PULLEY REMOVER ADAPTOR &  
 INSTALLER SET CHRYSLER 1.8, 2.0 & 2.4 ENGINES**  
 Model No: **VS4745**

Thank you for purchasing a Sealey product. Manufactured to a high standard this product will, if used according to these instructions and properly maintained, give you years of trouble free performance.

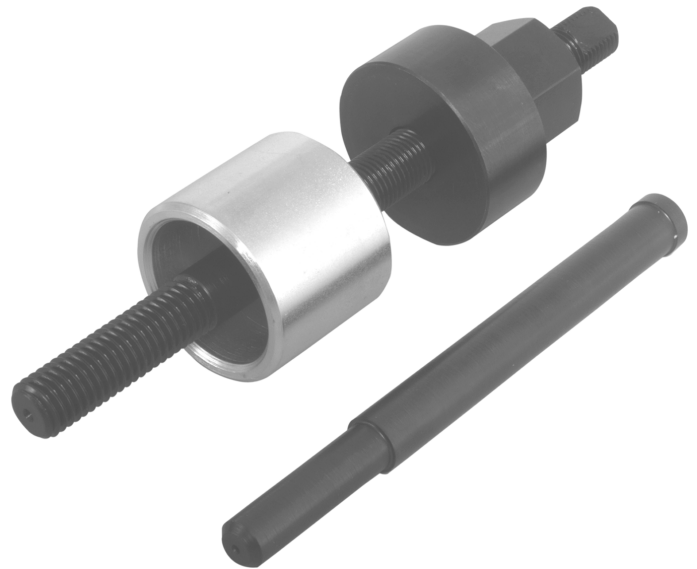
**⚠ IMPORTANT: PLEASE READ THESE INSTRUCTIONS CAREFULLY. NOTE THE SAFE OPERATIONAL REQUIREMENTS, WARNINGS AND CAUTIONS. USE THE PRODUCT CORRECTLY AND WITH CARE FOR THE PURPOSE FOR WHICH IT IS INTENDED. FAILURE TO DO SO MAY CAUSE DAMAGE AND/OR PERSONAL INJURY AND WILL INVALIDATE THE WARRANTY. PLEASE KEEP INSTRUCTIONS SAFE FOR FUTURE USE.**

**1. SAFETY INSTRUCTIONS**

**⚠ WARNING!** Ensure Health and Safety, local authority and general workshop practice regulations are adhered to when using tools.

- x DO NOT** use tools if damaged.
- ✓ Maintain tools in good and clean condition for best and safest performance.
- ✓ Ensure that a vehicle which has been jacked up is adequately supported with axle stands.
- ✓ Wear approved eye protection. A full range of personal safety equipment is available from your Sealey dealer.
- ✓ Wear suitable clothing to avoid snagging. Do not wear jewellery and tie back long hair.
- ✓ Account for all tools, locking bolts, pins and parts being used and do not leave them in or near the engine.
- ⚠ WARNING!** Incorrect or out of phase camshaft timing can result in contact between valve head and piston crown causing damage to the engine.

**IMPORTANT:** These instructions are provided as a guide only. Always refer to the vehicle manufacturer's service instructions, or a proprietary manual, to establish the current procedure and data.



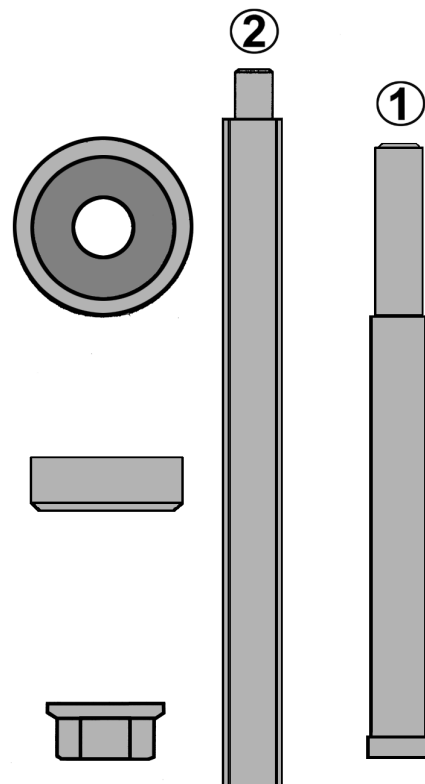
**2. INTRODUCTION & APPLICATIONS**

**1.1 Introduction**

For timing belt replacement on certain Chrysler 1.8, 2.0 and 2.4 petrol engines it is necessary to remove the crankshaft pulley in order to remove the timing belt. This is a difficult pulley to remove and install and special tools are required.

**1.2 Applications:**

CHRYSLER 1.8, 2.0 & 2.4 Petrol engines in  
 CHRYSLER  
 Neon      PT Cruiser      Stratus  
 Voyager      Grand Voyager



**3. CONTENTS & ASSOCIATED TOOLS**

- 1. VS4744      Remover Adaptor
- 2. VS4746      Installer

**Additional Tools required**

Use in conjunction with suitable 3-leg puller.

## 4. INSTRUCTIONS

### VS4745 Crankshaft Pulley Set Comprises:

VS4744 Remover Adaptor

VS4746 Installer

To remove the pulley use VS4744 Remover Adaptor in conjunction with a suitable 3-leg puller (minimum 5 tonne capacity).

Installer VS4746 is required to re-fit the crank pulley (Fig.1). The pulley centre bolt is a 'stretch bolt' and therefore the pulley must be fully installed prior to fitting the new centre bolt.

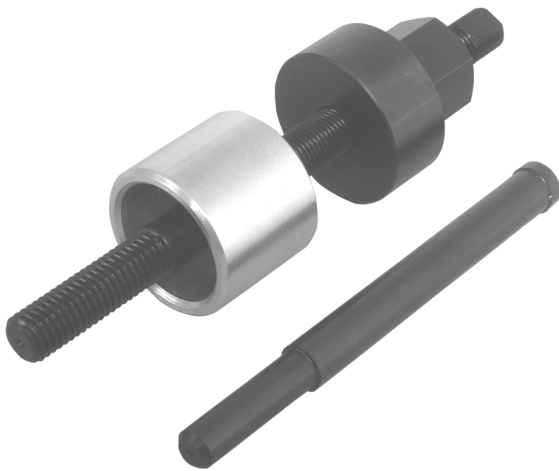
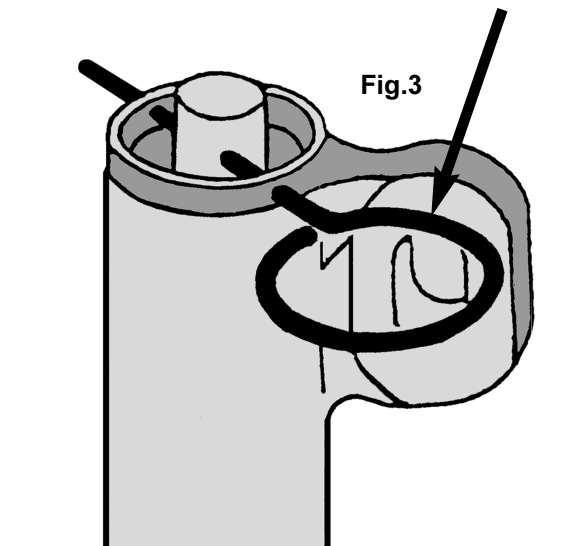
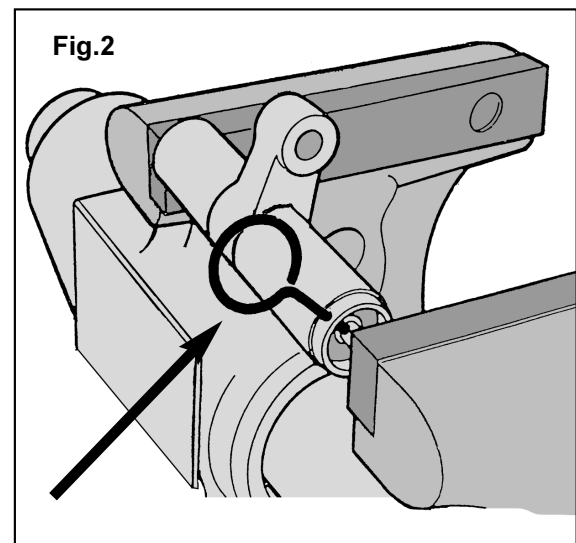
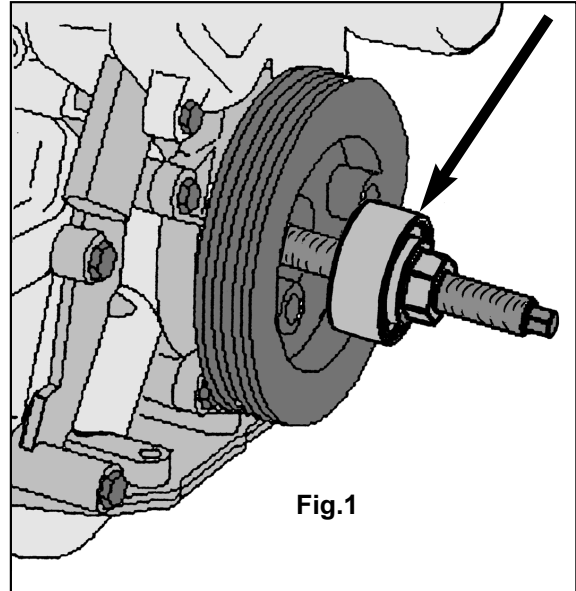
Locate the pulley on the crank nose and screw the VS4746 installer stud into the pulley centre bolt hole. Slide on the spacer followed by the thrust bearing. Screw on the nut and while holding the stud with a spanner, tighten until the pulley is pressed fully home. Remove the installer.

When removing the timing belt, automatic tensioner units are removed from the engine and mechanical tensioners are 'locked back' away from the belt.

**WARNING:** The actual tensioner pulley (roller) bolt **MUST NOT** be slackened.

Automatic tensioners are reset by slowly compressing the plunger into the tensioner body using a vice (Fig.2). A retaining pin is used to hold the plunger down (Fig.3) until the unit has been remounted on the engine.

**NOTE:** Always check the automatic tensioner for leakage and damage before refitting to the engine. Replace if necessary.



**NOTE:** It is our policy to continually improve products and as such we reserve the right to alter data, specifications and component parts without prior notice.

**IMPORTANT:** No liability is accepted for incorrect use of this product.

**WARRANTY:** Guarantee is 12 months from purchase date, proof of which will be required for any claim.

**INFORMATION:** For a copy of our latest catalogue and promotions call us on 01284 757525 and leave your full name and address, including postcode.



Sole UK Distributor  
Sealey Group,  
Bury St. Edmunds, Suffolk.

01284 757500  
01284 703534

www.sealey.co.uk  
sales@sealey.co.uk