

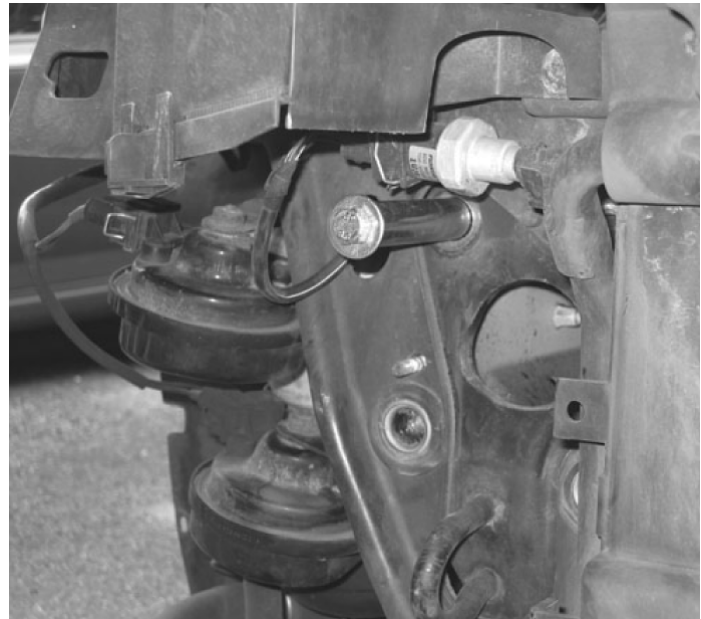
Thank you for purchasing a Sealey product. Manufactured to a high standard this product will, if used according to these instructions and properly maintained, give you years of trouble free performance.

**! IMPORTANT: PLEASE READ THESE INSTRUCTIONS CAREFULLY. NOTE THE SAFE OPERATIONAL REQUIREMENTS, WARNINGS AND CAUTIONS. USE THE PRODUCT CORRECTLY AND WITH CARE FOR THE PURPOSE FOR WHICH IT IS INTENDED. FAILURE TO DO SO MAY CAUSE DAMAGE AND/OR PERSONAL INJURY AND WILL INVALIDATE THE WARRANTY. PLEASE KEEP INSTRUCTIONS SAFE FOR FUTURE USE.**

**1. SAFETY INSTRUCTIONS**

- WARNING!** Ensure Health and Safety, local authority and general workshop practice regulations are adhered to when using tools.
- DO NOT** use tools if damaged.
- Maintain tools in good and clean condition for best and safest performance.
- Ensure that a vehicle which has been jacked up is adequately supported with axle stands.
- Wear approved eye protection. A full range of personal safety equipment is available from your Sealey dealer.
- Wear suitable clothing to avoid snagging. Do not wear jewellery and tie back long hair.
- Account for all tools, locking bolts, pins and parts being used and do not leave them in or near the engine.

**IMPORTANT:** These instructions are provided as a guide only. Always refer to the vehicle manufacturer's service instructions, or a proprietary manual, to establish the current procedure and data.



**2. INTRODUCTION & APPLICATIONS**

**2.1 Introduction**

**Lock Carrier - "Service Position"**

Almost all VW Group models have the facility to extend the front panel of the vehicle to provide increased access space in the engine compartment to carry out various service applications.

**2.2 Applications**

**VW GROUP - Lock Carrier "Service Position".**

Dismantle and move front end of vehicle to forward position, increasing access space within engine compartment.

**AUDI**

A4                      A6                      A8

**SEAT**

Ibiza/Cordoba      Arosa                  Leon  
 Toledo                  Alhambra          Altea

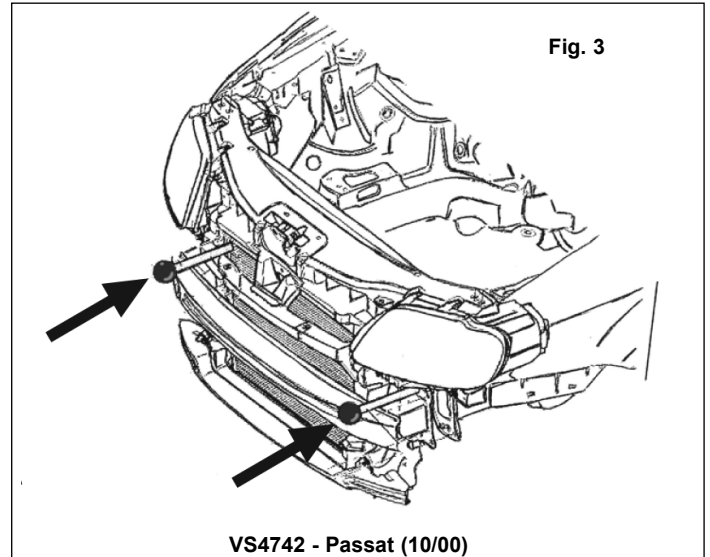
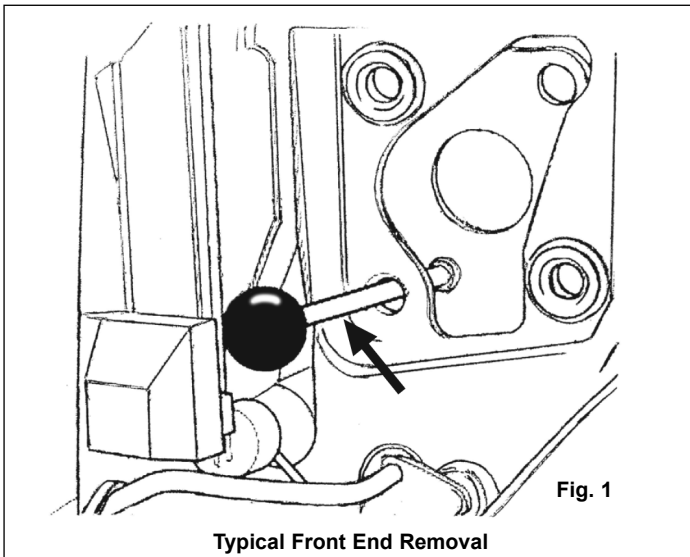
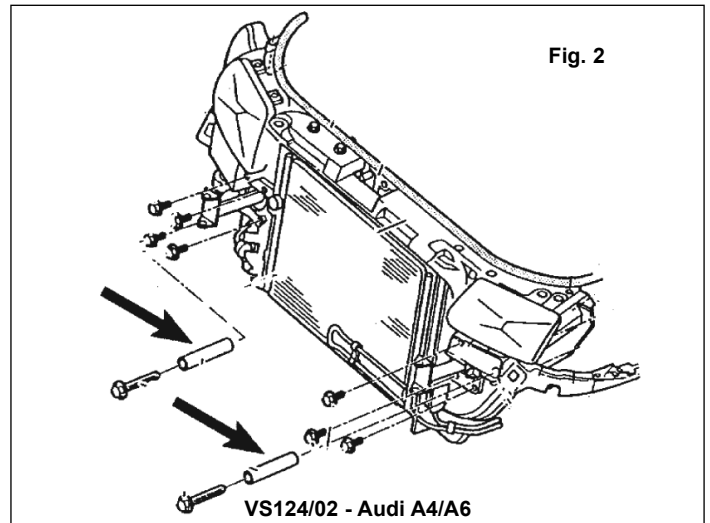
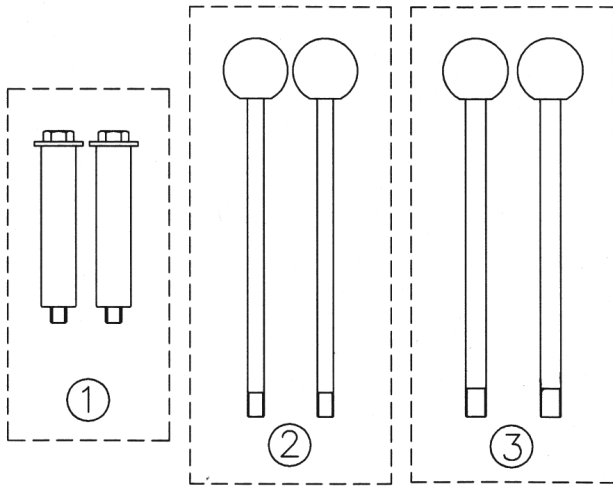
**VOLKSWAGEN**

Lupo                      Polo                      Beetle  
 Golf/Bora              Passat                  Touran  
 Sharan                      Phaeton              Touareg

On a number of models, Audi A4, A6, A8, Volkswagen Passat, Phaeton, Touareg, for example, moving the front end out to "Service Position" is part of the timing belt replacement procedure.

### 3. CONTENTS

1	VS124/02	Support Guides (Pair)
2	VS4742	Support Guides (Pair)
3	VS4743	Support Guides (Pair)



**NOTE:** It is our policy to continually improve products and as such we reserve the right to alter data, specifications and component parts without prior notice.

**IMPORTANT:** No liability is accepted for incorrect use of this product.

**WARRANTY:** Guarantee is 12 months from purchase date, proof of which will be required for any claim.

**INFORMATION:** For a copy of our latest catalogue and promotions call us on 01284 757525 and leave your full name and address, including postcode.



Sole UK Distributor  
Sealey Group,  
Bury St. Edmunds, Suffolk.

01284 757500

01284 703534



[www.sealey.co.uk](http://www.sealey.co.uk)



[sales@sealey.co.uk](mailto:sales@sealey.co.uk)