

SEALEY

5L WORKSHOP VACUUM BRAKE & CLUTCH BLEEDER

MODEL NO: VS0202.V3

Thank you for purchasing a Sealey product. Manufactured to a high standard, this product will, if used according to these instructions, and properly maintained, give you years of trouble free performance.

IMPORTANT: PLEASE READ THESE INSTRUCTIONS CAREFULLY. NOTE THE SAFE OPERATIONAL REQUIREMENTS, WARNINGS & CAUTIONS. USE THE PRODUCT CORRECTLY AND WITH CARE FOR THE PURPOSE FOR WHICH IT IS INTENDED. FAILURE TO DO SO MAY CAUSE DAMAGE AND/OR PERSONAL INJURY AND WILL INVALIDATE THE WARRANTY. KEEP THESE INSTRUCTIONS SAFE FOR FUTURE USE.



Refer to instruction manual



Wear eye protection



Wear protective gloves

1. SAFETY

- WARNING!** Familiarise yourself with the application and limitations, as well as any potential hazards, of this product. Ensure that Health and Safety, local authority and general workshop practice regulations are adhered to when using.
 - DO NOT** use pressure reservoir, or its ancillaries if damaged.
 - DO NOT** use the pressure reservoir to perform a task for which it is not designed.
 - DO NOT** allow untrained persons to use the pressure vessel.
 - DO NOT** use when tired or under the influence of drugs, alcohol or intoxicating medication.
 - Use approved parts and approved spare parts only.
 - Maintain in a good and clean condition for the best and safest performance.
 - Ensure that the ignition key of the vehicle being worked on is removed, to prevent inadvertent engine cranking.
 - If the vehicle to be worked on is raised, ensure that it is adequately supported with axle stands or ramps and wheel chocks.
 - Wear approved eye protection. A full range of personal safety equipment is available from your Sealey stockist.
 - Wear suitable clothing to avoid snagging. **DO NOT** wear jewellery and tie back long hair.
 - Keep children and unauthorised persons away from the work area.
 - Keep work area clean and tidy and free from unrelated materials.
 - Ensure the work area has adequate lighting.
- 1.1. **BRAKE FLUID SAFETY**
- Always read and comply with the warnings on the brake fluid container.
 - Wear eye protection and keep skin contact to a minimum. If brake fluid enters eyes rinse with plenty of water and seek medical advice. If swallowed seek medical advice immediately.
 - WARNING!** Brake fluid is flammable - keep away from sources of ignition, including hot surfaces e.g. exhaust manifold.
 - WARNING!** Brake fluid will damage paintwork. Any spillage should be flushed with water immediately.
 - Always read and comply with the warnings on the brake fluid container.
 - WARNING! DO NOT** pollute the environment by allowing uncontrolled discharge of fluids. Dispose of waste liquids in accordance with local authority regulations.
 - After use, clean equipment and store in a cool, dry, childproof area.

2. INTRODUCTION

One-person operation using standard workshop air supply (90-120psi). Professional, quick, clean and efficient. Large capacity for the busy workshop. Draws fluid from the bleed nipple enabling either bleeding or full replacement of fluid in system. Vacuum gauge for precise application. Separate cap for easy emptying. Long lasting silicon rubber hose for ultra flexibility. Includes reservoir top-up kit and adaptors.

3. SPECIFICATION

Model no VS0202.V3
Inlet size..... 1/4" BSP
Max. air supply..... 120psi
Tank capacity 5L

Key

- 1. Trigger
- 2. Hose assembly
- 3. Container
- 4. Pressure gauge
- 5. Top cap
- 6. N/A
- 7. Replenishment bottle
- 8, 9, 10, 11 Adaptors



4. OPERATION

4.1. BRAKE BLEEDING PROCEDURE

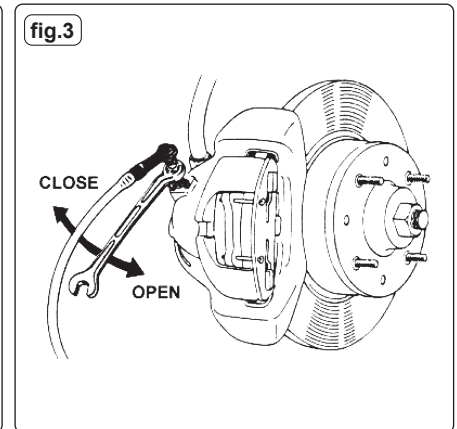
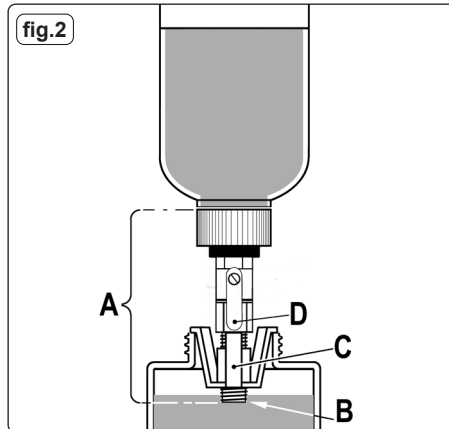
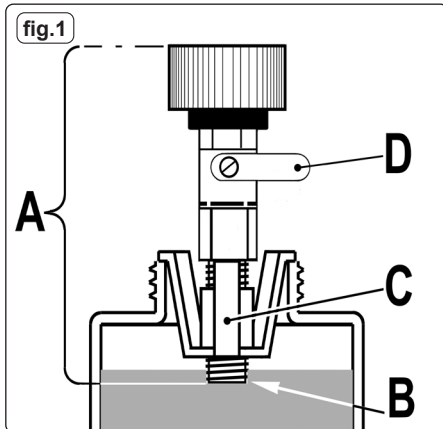
4.1.1. Refer to the vehicle manufacturer's instructions for brake bleeding and wheel sequence before proceeding. If no specific instructions from the vehicle manufacturer exist, follow the instructions detailed below.

- ❑ **WARNING!** Familiarise yourself with the hazards of brake fluid - read manufacturer's instructions on the container. Do not touch the vehicle's brake pedal whilst bleeding the brakes.

4.1.2. Remove the cap of the vehicle's brake fluid reservoir. If the brake fluid level is not at maximum, top it up.

4.1.3. Fill the replenishment bottle to just under half full with new brake fluid, then screw the cap assembly onto the replenishment bottle. Invert the bottle over the container of new brake fluid and open the valve 'D' so that the fluid level begins to drop towards the level marked on the bottle. As soon as the level mark is reached, close the valve.

4.1.4. Screw on an appropriate size three legged adaptor that fits into the top of the brake fluid reservoir. Ensure valve 'D' is closed, and invert the replenishment bottle within the neck of the brake fluid reservoir as shown in **fig.1**. The threaded outlet 'B' must be immersed in the brake fluid. If it is not, screw the three legged adaptor 'C' clockwise towards the valve 'D' until sufficient thread is exposed to allow the outlet to be immersed in the brake fluid. Open the valve 'D' as in **fig.2**. As the brakes are bled, the fluid level in the reservoir will begin to drop and expose the bottle outlet. Brake fluid will begin to flow from the replenishment bottle. Once the level in the reservoir has risen sufficiently to cover the outlet, the flow will automatically stop. Depending on the amount of brake fluid bled from the system, the bottle may need to be filled again from time to time.



NOTE: Apply copper grease to the brake bleeding nipples before and after the brake bleeding procedure to reduce the possibility of seized or broken nipples when the brakes are next bled (**fig.5**).

4.1.5. Connect the brake bleeder to a suitable compressed air supply.

4.1.6. Connect the rubber adaptor onto the brake nipple on the first wheel and open the nipple about one quarter of a turn (**fig.3**).

4.1.7. Activate the brake bleeder's valve. The vacuum created will draw the brake fluid from the vehicle's brake system.

4.1.8. Continue to bleed the system until there are no air bubbles visible in the clear tube (**fig.4**).

4.1.9. Retighten the brake nipple and close the bleeder's valve (**fig.3**).

4.1.10. Remove the rubber adaptor from the brake nipple.

4.1.11. Open the valve on the brake bleeder to remove any brake fluid from the clear pipe.

4.1.12. Repeat the process at each wheel in turn as necessary.

4.2. CHANGING THE BRAKE FLUID

4.2.1. Carry out the brake bleeding procedure as described above. As the fluid is being completely changed, regularly check the level in the replenishment bottle.

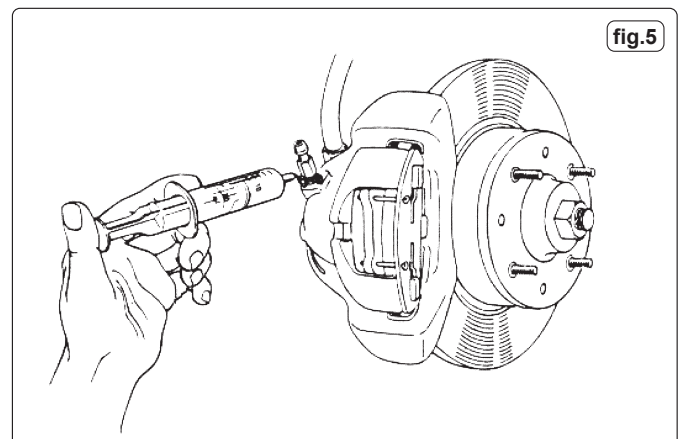
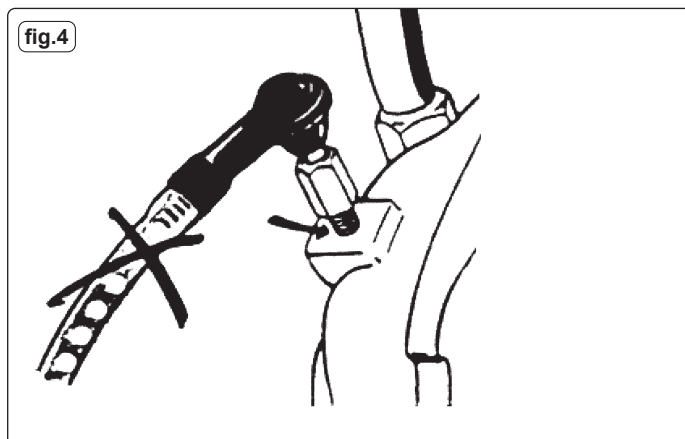
4.2.2. When new fluid can be seen in the clear tube tighten the brake nipple.

4.2.3. Repeat this procedure at each wheel in turn.

When brake bleeding and/or fluid changing is complete, test the action of the brake pedal to ensure that the brakes are working and are not spongy, before using the vehicle on the road.

4.3. CLUTCH BLEEDING PROCEDURE

Refer to the relevant vehicle manufacturer's instructions for clutch bleeding procedure. If no specific instructions from the vehicle manufacturer exist, the instructions basically follow the same procedure as the brake bleeding instructions in steps 4.1.1. through to 4.1.11.





ENVIRONMENT PROTECTION

Recycle unwanted materials instead of disposing of them as waste. All tools, accessories and packaging should be sorted, taken to a recycling centre and disposed of in a manner which is compatible with the environment. When the product becomes completely unserviceable and requires disposal, drain any fluids (if applicable) into approved containers and dispose of the product and fluids according to local regulations.

Note: It is our policy to continually improve products and as such we reserve the right to alter data, specifications and component parts without prior notice.

Important: No Liability is accepted for incorrect use of this product.

Warranty: Guarantee is 12 months from purchase date, proof of which is required for any claim.

Sealey Group, Kempson Way, Suffolk Business Park, Bury St Edmunds, Suffolk. IP32 7AR



01284 757500



01284 703534



sales@sealey.co.uk



www.sealey.co.uk