

# SEALEY

## LOWER BALL JOINT REMOVER/INSTALLER 14PC - MERCEDES, RENAULT

MODEL NO: VS1274

Thank you for purchasing a Sealey product. Manufactured to a high standard, this product will, if used according to these instructions, and properly maintained, give you years of trouble free performance.

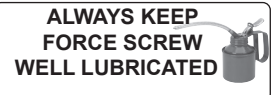
**IMPORTANT:** PLEASE READ THESE INSTRUCTIONS CAREFULLY. NOTE THE SAFE OPERATIONAL REQUIREMENTS, WARNINGS & CAUTIONS. USE THE PRODUCT CORRECTLY AND WITH CARE FOR THE PURPOSE FOR WHICH IT IS INTENDED. FAILURE TO DO SO MAY CAUSE DAMAGE AND/OR PERSONAL INJURY AND WILL INVALIDATE THE WARRANTY. KEEP THESE INSTRUCTIONS SAFE FOR FUTURE USE.



Refer to instruction manual



Wear eye protection



### 1. SAFETY

- WARNING!** Ensure Health and Safety, local authority and general workshop practice regulations are adhered to when using tools.
  - DO NOT** use tools if damaged.
  - Maintain tools in good and clean condition for best and safest performance.
  - Lubricate the force screw before use.
  - Ensure that the vehicle manufacturer's recommended jacking points are used when jacking up a vehicle.
  - Ensure that a vehicle which has been jacked up is adequately supported with axle stands.
  - Wear approved eye protection. A full range of personal safety equipment is available from your Sealey stockist
  - Wear suitable clothing to avoid snagging. **DO NOT** wear jewellery and tie back long hair.
  - DO NOT** use air tools.
  - DO NOT** use this tool whilst tired or under the influence of alcohol, drugs or intoxicating medication.
  - DO NOT** allow untrained personnel to use this tool.
  - Account for all tools, and parts being used and **DO NOT** leave them near the engine.
  - When not in use store in a safe, dry, childproof location.
- IMPORTANT:** Always refer to the vehicle manufacturer's service instructions, or a proprietary manual, to establish the current procedure and data.
- WARNING:** The warnings, cautions and instructions in this manual cannot cover all possible conditions and situations that may occur. It must be understood that common sense and caution are factors which cannot be built into this product, but must be applied by the operator.

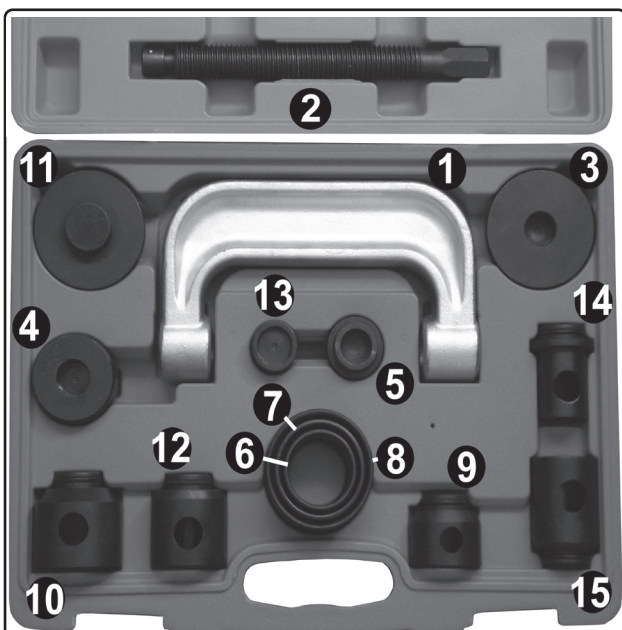
### 2. INTRODUCTION

Suitable for the in situ removal and installation of front lower ball joints on Mercedes W220, W211, W230 and Renault Megane. No need to disassemble. Also includes a selection of multi-purpose sleeves, which have various automotive applications. Use with ratchet wrench.

### 3. APPLICATIONS

Mercedes; W220 S-Class 98-06, W211 E-Class 02-09, W230 SL 02 on, Renault; Megane (02-08 with 18mm ball pin)

### 4. CONTENTS



Item	Part no.	Description
1	VS1274-01	C-Clamp
2	VS1274-02	Force Screw
3	VS1274-03	Stepped Sleeve Adaptor
4	VS1274-04	Installation Pressure Piece (Mercedes)
5	VS1274-05	Installation Pressure Piece (Renault)
6	VS1274-06	Sleeve (50.5mm)
7	VS1274-07	Sleeve (65.3mm)
8	VS1274-08	Sleeve (76mm)
9	VS1274-09	Installation Cup (Mercedes)
10	VS1274-10	Extraction Cup (Mercedes)
11	VS1274-11	Extraction Cup (Mercedes)
12	VS1274-12	Extraction Cup (Renault)
13	VS1274-13	Extraction Pressure Piece (Mercedes)
14	VS1274-14	Extraction Pressure Piece (Renault)
15	VS1274-15	Installation Cup (Renault)



#### ENVIRONMENT PROTECTION

Recycle unwanted materials instead of disposing of them as waste. All tools, accessories and packaging should be sorted, taken to a recycling centre and disposed of in a manner which is compatible with the environment. When the product becomes completely unserviceable and requires disposal, drain any fluids (if applicable) into approved containers and dispose of the product and fluids according to local regulations.

**Note:** It is our policy to continually improve products and as such we reserve the right to alter data, specifications and component parts without prior notice.

**Important:** No Liability is accepted for incorrect use of this product.

**Warranty:** Guarantee is 12 months from purchase date, proof of which is required for any claim.

Sealey Group, Kempson Way, Suffolk Business Park, Bury St Edmunds, Suffolk. IP32 7AR



01284 757500



01284 703534



sales@sealey.co.uk



www.sealey.co.uk