

INSTRUCTIONS FOR: MERCEDES LOWER BALL JOINT REMOVER/INSTALLER

MODEL No: **VS1272.V2**

Thank you for purchasing a Sealey product. Manufactured to a high standard this product will, if used according to these instructions and properly maintained, give you years of trouble free performance.



IMPORTANT: PLEASE READ THESE INSTRUCTIONS CAREFULLY. NOTE THE SAFE OPERATIONAL REQUIREMENTS, WARNINGS AND CAUTIONS. USE THE PRODUCT CORRECTLY AND WITH CARE FOR THE PURPOSE FOR WHICH IT IS INTENDED. FAILURE TO DO SO MAY CAUSE DAMAGE AND/OR PERSONAL INJURY AND WILL INVALIDATE THE WARRANTY. PLEASE KEEP INSTRUCTIONS SAFE FOR FUTURE USE.

1. SAFETY INSTRUCTIONS

- WARNING!** Ensure Health and Safety, local authority and general workshop practice regulations are adhered to when using tools.
- DO NOT** use tools if damaged.
- Maintain tools in good and clean condition for best and safest performance.
- Lubricate the force screw before use.
- Ensure that the vehicle manufacturer's recommended jacking points are used when jacking up a vehicle.
- Ensure that a vehicle which has been jacked up is adequately supported with axle stands.
- Wear approved eye protection. A full range of personal safety equipment is available from your Sealey dealer.
- Wear suitable clothing to avoid snagging. **DO NOT** wear jewellery and tie back long hair.
- DO NOT** use air tools.
- DO NOT** use this tool whilst tired or under the influence of alcohol, drugs or intoxicating medication.
- DO NOT** allow untrained personnel to use this tool.
- Account for all tools, and parts being used and **DO NOT** leave them near the engine.
- When not in use store in a safe, dry, childproof location.
- IMPORTANT:** Always refer to the vehicle manufacturer's service instructions, or a proprietary manual, to establish the current procedure and data.
- WARNING:** The warnings, cautions and instructions in this manual cannot cover all possible conditions and situations that may occur. It must be understood that common sense and caution are factors which cannot be built into this product, but must be applied by the operator.

**ALWAYS KEEP
FORCE SCREW
WELL LUBRICATED**



**DO NOT USE
AIR TOOLS**

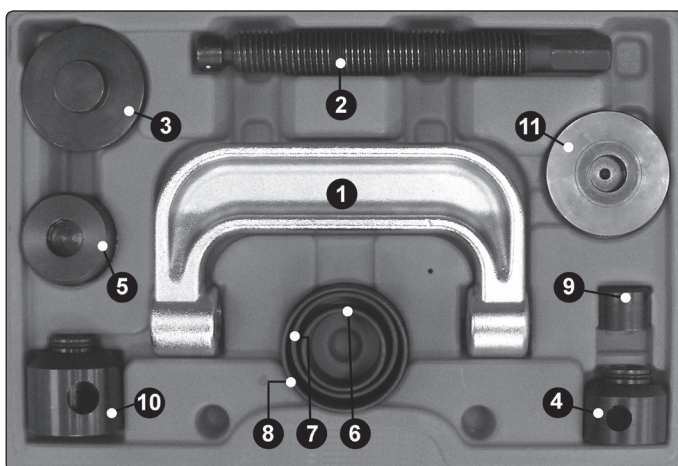


2. INTRODUCTION

Suitable for the in situ removal and installation of front lower ball joints on W220, W211 and W230 Mercedes Benz. No need to disassemble. Includes a selection of multi-purpose sleeves, which have various automotive applications. Use with ratchet wrench.

3. APPLICATIONS/CONTENTS

MERCEDES
W220 S-Class (98 - 06)
W211 E-class (02 - 09)
W230 SL (02 - on)



Item	Part No.	Description	Item	Part No.	Description
1	VS1272.V2-01	C-Clamp	7	VS1272.V2-07	Sleeve (65.3mm)
2	VS1272.V2-02	Force Screw	8	VS1272.V2-08	Sleeve (76mm)
3	VS1272.V3-03	Stepped Sleeve Adaptor	9	VS1272.V2-09	Extraction Pressure Piece
4	VS1272.V2-04	Installation Cup	10	VS1272.V2-10	Extraction Cup
5	VS1272.V2-05	Installation Pressure Piece	11	VS1272.V2-11	Stepped Force Screw Adaptor
6	VS1272.V2-06	Sleeve (50.5mm)			

NOTE: It is our policy to continually improve products and as such we reserve the right to alter data, specifications and component parts without prior notice.

IMPORTANT: No liability is accepted for incorrect use of this product.

WARRANTY: Guarantee is 12 months from purchase date, proof of which will be required for any claim.

INFORMATION: For a copy of our latest catalogue and promotions call us on 01284 757525 and leave your full name and address, including postcode.

