



INSTRUCTIONS FOR

SAC CLUTCH ALIGNMENT TOOL

MODEL NO: **VS011A.V3**

Thank you for purchasing a Sealey product. Manufactured to a high standard, this product will, if used according to these instructions, and properly maintained, give you years of trouble free performance.

IMPORTANT: PLEASE READ THESE INSTRUCTIONS CAREFULLY. NOTE THE SAFE OPERATIONAL REQUIREMENTS, WARNINGS & CAUTIONS. USE THE PRODUCT CORRECTLY AND WITH CARE FOR THE PURPOSE FOR WHICH IT IS INTENDED. FAILURE TO DO SO MAY CAUSE DAMAGE AND/OR PERSONAL INJURY AND WILL INVALIDATE THE WARRANTY. KEEP THESE INSTRUCTIONS SAFE FOR FUTURE USE.



Refer to instruction manual



Wear eye protection

1. SAFETY

- ❑ **WARNING!** Wear approved eye protection. Wear appropriate Personal Protective Equipment. A full range of Personal Protective Equipment is available from your Sealey dealer.
- ❑ **WARNING!** Ensure that Health & Safety, Local Authority Regulations and general workshop practice Regulations are adhered to when using tools.
- ✗ **DO NOT** use tools if damaged.
- ✓ Maintain tools to ensure that they are in an adequate condition for safe use and optimum performance.
- ✓ Ensure that a vehicle that has been raised by a jack is adequately supported. Use axle stands.
- ✓ Wear suitable clothing to avoid snagging. **DO NOT** wear jewellery. Tie back long hair.
- ✓ Account for all tools, parts and components being used. **DO NOT** leave these in or near the engine. Return tools to suitable storage after use.
- ✓ These Instructions are provided as a guide only.
- ✓ Always refer to the vehicle manufactures' service instructions or a proprietary manual to establish the correct procedure and data.
- ❑ **WARNING!** The warnings, cautions and instructions in this manual cannot cover all possible conditions and situations. The Operator/ user must apply caution and common sense (good practical sense).

2. INTRODUCTION

Necessary for pre-tensioning self adjusting clutches before removal or installation. Prevents plate distortion which may prevent the clutch from disengaging or cause dragging. Features a refitting tool, allowing the clutch adjuster to be wound back. Also includes a selection of clutch plate and spigot alignment adaptors. Supplied in carry-case.

3. SPECIFICATION

Model no: VS011A

Clutch plate adaptors:

17.9, 18.9, 19.9, 20.9, 21.9, 22.9, 23, 25.9, 27.9, 31.9, 33.9mm

Spigot adaptors:

13.9, 14.9, 15.9, 16.9, 17.9, 18.9, 20.9, 21.9mm

Assembly flywheel threads:

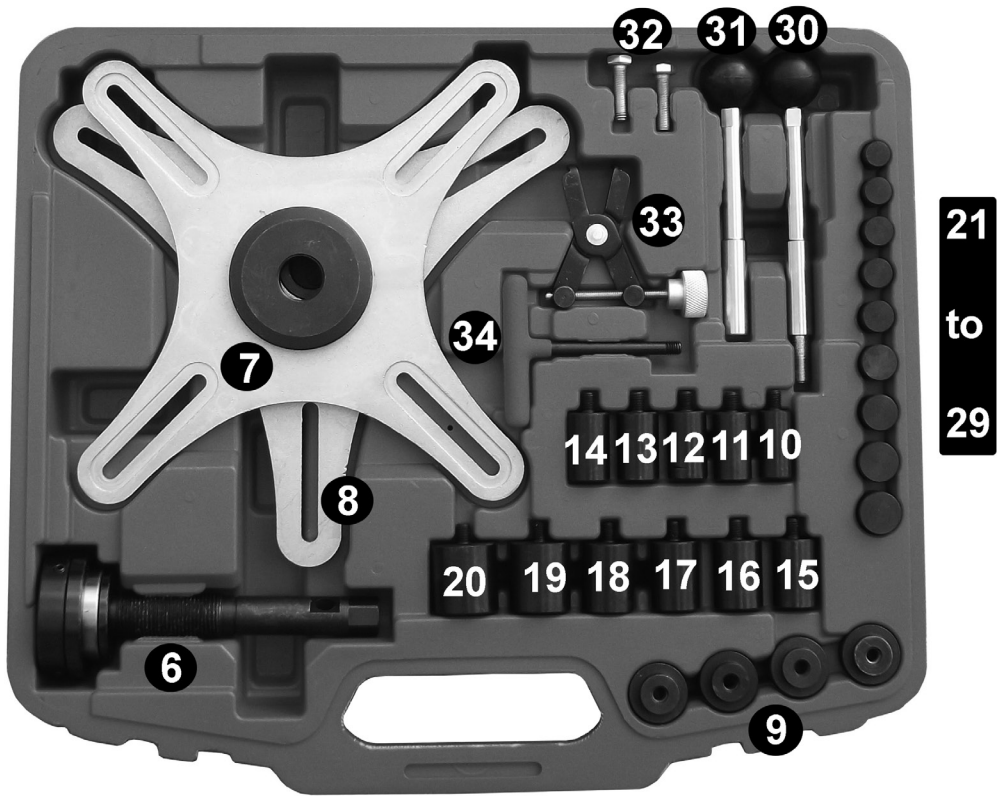
Ø6x1, Ø7x1, Ø8x1.25mm

4. CONTENTS

Item	Part No.	Description	Qty
1	VS011A.V3-32	Adaptor stud M6x1.0 silver	4
2	VS011A.V3-33	Adaptor stud M7x1.0 silver	4
3	VS011A.V3-30	Adaptor stud M6x1.0 gold (knurled)	4
4	VS011A.V3-33	Adaptor stud M7x1.0 silver (knurled)	4
5	VS011A.V3-31	Adaptor stud M8x1.25 black (knurled)	4

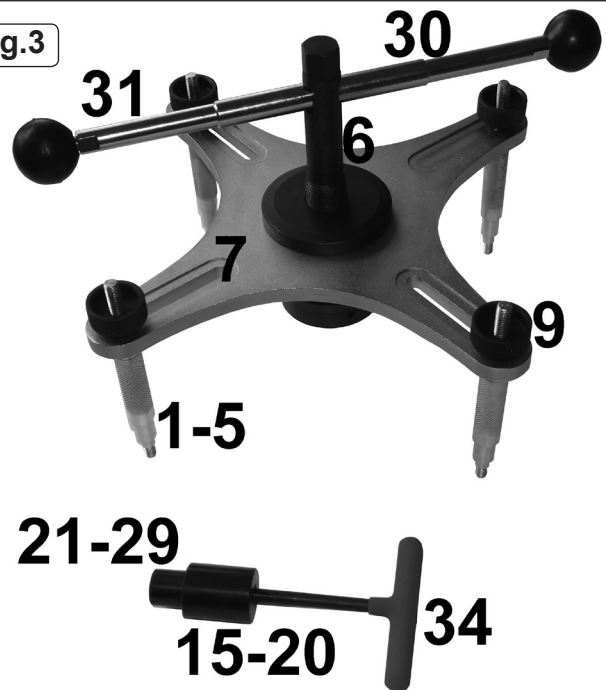


fig.2



Item	Part No.	Description	Qty
6	VS011A.V3-03	Pressure screw	1
7	VS011A.V3-02	Alignment plate (4 legs)	1
8	VS011A.V3-04	Alignment plate (3 legs)	1
9	VS011A.V3-05	Adaptor stud retainer	4
10	VS011A.V3-06	Clutch plate adaptor 17.9mm	1
11	VS011A.V3-07	Clutch plate adaptor 18.9mm	1
12	VS011A.V3-08	Clutch plate adaptor 19.9mm	1
13	VS011A.V3-09	Clutch plate adaptor 20.9mm	1
14	VS011A.V3-10	Clutch plate adaptor 21.9mm	1
15	VS011A.V3-11	Clutch plate adaptor 22.9mm	1
16	VS011A.V3-12	Clutch plate adaptor 23mm	1
17	VS011A.V3-13	Clutch plate adaptor 25.9mm	1
18	VS011A.V3-14	Clutch plate adaptor 27.9mm	1
19	VS011A.V3-15	Clutch plate adaptor 31.9mm	1
20	VS011A.V3-16	Clutch plate adaptor 33.9	1
21	VS011A.V3-17	Spigot adaptor 13.9mm	1
22	VS011A.V3-18	Spigot adaptor 14.9mm	1
23	VS011A.V3-19	Spigot adaptor 15.9mm	1
24	VS011A.V3-20	Spigot adaptor 16.9mm	1
25	VS011A.V3-21	Spigot adaptor 17.9mm	1
26	VS011A.V3-22	Spigot adaptor 18.9mm	1
27	VS011A.V3-23	Spigot adaptor 19.9mm	1
28	VS011A.V3-24	Spigot adaptor 20.9mm	1
29	VS011A.V3-25	Spigot adaptor 21.9mm	1
30	VS011A.V3-26	Handle A male thread	1
31	VS011A.V3-27	Handle A female thread	1
32	VS011A.V3-28	Extractor screw	2
33	VS011A.V3-29	Clutch resetting tool	1
34	VS011A.V3-30	T handle extractor	1

fig.3



5. OPERATION

- 5.1. It is necessary to pretension self adjusting clutches before removal or installation. This prevents plate distortion which can lead to the clutch disengaging or dragging.
- 5.2. Follow the instructions below in conjunction with the assembly illustration in fig.3.
- 5.3. **FITTING**
- 5.3.1. Before fitting make sure all vehicle components are clean and that the clutch splines have been lightly greased before fitting.
- 5.3.2. Select the required alignment plate, 3 slot (8) or 4 slot (7) see fig.2.
- 5.3.3. Screw in the pressure screw (6) all the way through the required alignment plate, and put to one side for later use, see fig.3.
Note: The selection of either the 3 or 4 slotted plate will depend on whether the flywheel has an even or odd number of clutch assembly retaining bolts.
- 5.3.4. Select the required adaptor studs, see fig.1 (1 to 5) from the kit which depends on the thread size and pitch in the flywheel's screw holes.
- 5.3.5. Select the required adaptor, see fig.2 (10 to 29) for the vehicle's spigot bearing and clutch plate.
- 5.3.6. Offer up the clutch plate with the adaptor to the engine (making sure the clutch plate is the correct way round).
- 5.3.7. Offer up the clutch cover assembly, locating it onto the clutch cover dowels. Keep one hand on the assembly because it will be loose and could fall off.
- 5.3.8. Fit the adaptor studs from the kit, see fig.1 (1 to 5) into the flywheel through the clutch cover retaining holes, alternate holes only and tighten with a spanner.
- 5.3.9. The clutch cover should now be secure and aligned onto the flywheel.
- 5.3.10. Fit the alignment plate (7 or 8) over the adaptor studs and secure using the adaptor stud retainer nuts (9) see figs 2 and 3.
- 5.3.11. Rotate the pressure screw (6) until it comes into contact with the clutch assembly diaphragm (**by hand only**).
- 5.3.12. Double check to make sure all the components are still correctly aligned.
- 5.3.13. Carefully rotate the pressure screw clockwise (using a socket and ratchet or spanner) to compress the diaphragm on to the clutch which will pull the clutch cover assembly onto the flywheel.
- 5.3.14. Once the clutch cover assembly has butted to the flywheel, fit the vehicle's original clutch assembly retaining bolts hand tight. Once the bolts have been fitted, tighten to the manufacturer's torque.
- 5.3.15. Unwind the pressure screw (6) anticlockwise which will release the tension.
- 5.3.16. Once the tension is released, remove the stud retainer nuts (9), alignment plate (7 or 8) and adaptor studs (1 to 5).
- 5.3.17. Once these have been removed, fit the rest of the clutch cover's retaining bolts and torque to the required setting.
- 5.3.18. Remove the spigot/clutch adaptor from the centre of the clutch plate. There is a thread in the centre of the adaptor and it may be necessary to screw a T handle adapter (34) or bolt (32) into the adaptor to be able to remove it. Both are supplied in the kit.
- 5.4. **REMOVAL**
- 5.4.1. To remove the clutch it is the reverse sequence of fitting and needs to be done if the clutch assembly is to be reused.



Environmental Protection

Recycle unwanted materials instead of disposing of them as waste. All tools, accessories and packaging should be sorted, taken to a recycling centre and disposed of in a manner which is compatible with the environment. When the product becomes completely unserviceable and requires disposal, drain off any fluids (if applicable) into approved containers and dispose of the product and the fluids according to local regulations.

NOTE: It is our policy to continually improve products and as such we reserve the right to alter data, specifications and component parts without prior notice.

IMPORTANT: No liability is accepted for incorrect use of this product.

WARRANTY: Guarantee is 12 months from purchase date, proof of which will be required for any claim.



Sole UK Distributor, Sealey Group.
Kempson Way, Suffolk Business Park,
Bury St. Edmunds, Suffolk.
IP32 7AR



01284 757500



01284 703534



www.sealey.co.uk



sales@sealey.co.uk