



INSTRUCTIONS FOR: ELECTRONIC STETHOSCOPE Model No: VS007

Thank you for purchasing a Sealey product. Manufactured to a high standard this product will, if used according to these instructions and properly maintained, give you years of trouble free performance.

IMPORTANT: PLEASE READ THESE INSTRUCTIONS CAREFULLY. NOTE THE SAFE OPERATIONAL REQUIREMENTS, WARNINGS & CAUTIONS. USE THE PRODUCT CORRECTLY AND WITH CARE FOR THE PURPOSE FOR WHICH IT IS INTENDED. FAILURE TO DO SO MAY CAUSE DAMAGE AND/OR PERSONAL INJURY AND WILL INVALIDATE THE WARRANTY. PLEASE KEEP INSTRUCTIONS SAFE FOR FUTURE USE.

1. SAFETY INSTRUCTIONS

1.1. GENERAL SAFETY

- WARNING!** Ensure Health & Safety, local authority, and general workshop practice regulations are adhered to when using this equipment.
- ✓ Familiarise yourself with the application and limitations of the equipment, as well as the specific potential hazards.
- ✓ Maintain the equipment in good condition (use an authorised service agent).
- ✓ Replace or repair damaged parts. Use genuine parts only. Non-authorized parts may be dangerous and will invalidate the warranty.
- ✓ Keep the equipment clean for best and safest performance.
- ✓ Ensure cables, probe and clamps cannot contact moving parts.
- ✗ **DO NOT** place cables, probe or clamps near high voltage items - HT leads, spark plugs, ignition coil.
- ✓ Before road test ensure all cables are secure and, if they become disconnected, cannot contact moving parts.
- ✓ When conducting road test **driver must not** operate equipment.
- ✗ **DO NOT** allow untrained persons to operate the equipment.
- ✗ **DO NOT** allow children to play with the equipment.
- ✗ **DO NOT** operate the equipment when you are tired, under the influence of alcohol, drugs or intoxicating medication.
- ✓ When not in use switch off the equipment and store in a safe, dry, childproof area.
- ✓ For prolonged storage remove batteries.

2. INTRODUCTION

Super-sensitive stethoscope with rubber cone and test probe. Suitable for detection of faults in:

Engine Transmission	Fuel Injectors	Radiators
Cat Intake/Exhaust Manifold	Valves	Fuel Tanks

Kit includes audio probe, headphones, 4 clip-on microphones and a 4 channel microphone selector box. Used by Noise, Vibration and Harshness (NVH) engineers to isolate problem sources. Enables vehicle to be road tested and diagnosed (by passenger) simultaneously.

3. CONTENT

Check the content against the list below. If any items are missing or damaged contact your supplier.

- Stethoscope
- Microphone Clamps x 4
- Control Box
- Earphones
- Metal Probe
- Velcro Straps x 8
- Nylon Cable Ties x 8
- 9V Battery (PP9) x 2

4. OPERATION

- WARNING!** Ensure you read, understand and apply the safety instructions in Section 1.
- WARNING!** Prolonged exposure to high volumes of noise, or sudden very loud noises can result in permanent hearing loss.
- WARNING!** Feedback can damage the equipment - keep microphones away from earphones.

4.1. Stethoscope

- 4.1.1 Fit battery into compartment in base of stethoscope.
- 4.1.2 Confirm that stethoscope is switched off - red indicator LED (fig.1.1) not illuminated.
- 4.1.3 Plug earphone cable jack into socket (fig.1.2) in base of stethoscope.
- 4.1.4 Wearing earphones, switch on stethoscope at rotary switch (fig.1.3) - red LED illuminates - and **slowly** increase volume to a comfortable level.
- 4.1.5 Place rubber tip (fig.1.4) on, or near, suspect component. If surface is hot, or difficult to reach, fit the metal probe into the rubber tip. **WARNING!** Turn off stethoscope before fitting probe.

4.2. NVH Tests

- 4.2.1 Fit battery into compartment in base of control box.
- 4.2.2 Install microphone clamp(s) on, or close to, suspect item(s) and/or in reference areas, as required. Pay attention to cable routing and security.
- 4.2.3 Plug the clamp cable jacks into the sockets (fig.2.1) in the control box. Note that sockets are numbered and selector scale (fig.2.2) has corresponding numbers with colour codes to match colour coding on clamp cables, as below:

1 - Red	3 - Orange
2 - Green	4 - White
- 4.2.4 Plug earphone cable jack into socket (fig.2.3) in control box.
- 4.2.5 Wearing earphones, switch on control box at rotary switch (fig.2.4) - red LED (fig.2.5) illuminates - and **slowly** increase volume to a comfortable level.
- 4.2.6 Selector switch (fig.2.6) can now be used to listen to each microphone clamp in turn.

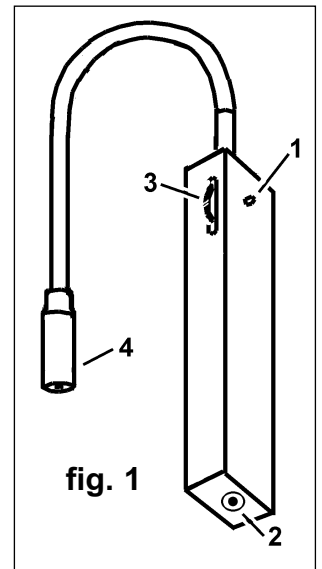


fig. 1

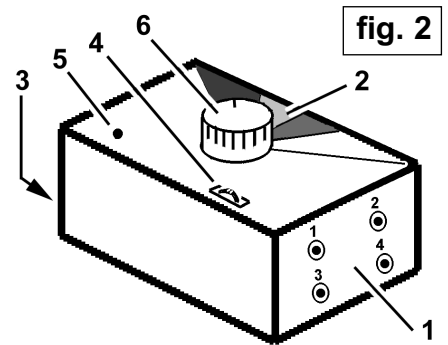


fig. 2

Declaration of Conformity We, the sole importer into the UK, declare that the product listed below is in conformity with the following standards and directives

Electronic Stethoscope - Model VS007 89/336/EEC EMC Directive		The construction file for this product is held by the Manufacturer and may be inspected, by a national authority, upon request to Jack Sealey Ltd. Signed by Mark Sweetman 26th June 2000	<i>For Jack Sealey Ltd. Sole importer into the UK of Sealey Professional Tools.</i>
--	--	---	---

NOTE: It is our policy to continually improve products and as such we reserve the right to alter data, specifications and component parts without prior notice. **IMPORTANT:** No liability is accepted for incorrect use of product. **WARRANTY:** Guarantee is 12 months from purchase date, proof of which will be required for any claim. **INFORMATION:** For a copy of our latest catalogue and promotions call us on 01284 757525 and leave your full name and address, including postcode.