



COOLANT FLUSH JET WASH GUN

MODEL NO: VS0050

Thank you for purchasing a Sealey product. Manufactured to a high standard, this product will, if used according to these instructions, and properly maintained, give you years of trouble free performance.

IMPORTANT: PLEASE READ THESE INSTRUCTIONS CAREFULLY. NOTE THE SAFE OPERATIONAL REQUIREMENTS, WARNINGS & CAUTIONS. USE THE PRODUCT CORRECTLY AND WITH CARE FOR THE PURPOSE FOR WHICH IT IS INTENDED. FAILURE TO DO SO MAY CAUSE DAMAGE AND/OR PERSONAL INJURY AND WILL INVALIDATE THE WARRANTY. KEEP THESE INSTRUCTIONS SAFE FOR FUTURE USE.



Refer to instructions



Wear eye protection



Wear protective clothing



Wear protective gloves

1. SAFETY

- WARNING!** Ensure that Health & Safety, local authority and general workshop practice regulations are adhered to when using this tool.
- 1.1. WORK AREA SAFETY**
 - ✓ Keep work area clean and well lit. Cluttered or dark areas invite accidents.
 - ✓ Keep children and bystanders away while operating a jet wash gun. Distractions can cause you to lose control.
- 1.2. PERSONAL SAFETY**
 - ✓ Stay alert, watch what you are doing and use common sense when operating a jet wash gun. **DO NOT** use a jet wash gun while you are tired or under the influence of drugs, alcohol or medication. A moment of inattention while operating power tools may result in serious personal injury.
 - ✓ Use personal protective equipment.
 - ✓ Carrying jet wash gun with your finger on the trigger.
 - ✗ **DO NOT** overreach. Keep proper footing and balance at all times. This enables better control of the jet wash gun in unexpected situations.
 - ✓ Dress properly. **DO NOT** wear loose clothing or jewellery. Keep your hair, clothing and gloves away from moving parts.
- 1.3. JET WASH GUN USE AND CARE**
 - ✗ **DO NOT** force the jet wash gun. Use the correct jet wash gun lance for your application. The correct jet wash gun lance will do the job better and safer at the rate for which it was designed.
 - ✗ **DO NOT** use the jet wash gun if there is air or water leaking. If either occur disconnect and the jet wash gun must be repaired as could be presentationally dangerous.
 - WARNING!** Disconnect from the jet wash gun before making any adjustments, changing accessories, or storing.
- 1.4. SERVICE**
 - ✓ Have your jet wash gun serviced by a qualified repair person using only identical replacement parts. This will ensure that the safety of the jet wash gun is maintained. Unauthorised parts may be dangerous and will invalidate the warranty.
- 1.5. SPECIFIC PRESSURE WASHER SAFETY**
 - ✓ **WARNING!** Disconnect from water and air supply before changing accessories, servicing or performing any maintenance.
 - WARNING!** Keep all connections tight and in good working order.
 - ✓ Check regularly for damaged parts. Any part that is damaged must be repaired/replaced before the washer is next used.
 - WARNING!** Ensure all persons and animals keep at a minimum distance of 15m from the washer when in use.
 - WARNING!** The jet washer gun must only be used with clean water. Non-filtered water or corrosive chemicals must not be used as they will damage the jet wash gun.
 - ✓ Release residual pressure by turning off the air supply and water tap before disconnecting hose,
 - ✓ Ensure the nozzle is aimed correctly at the working surface before activating the jet.
 - WARNING!** The high pressure jet will cause loose particles to be propelled at high speed, which may cause serious injury.
 - WARNING! DO NOT** use the washer on any material containing asbestos as this may release hazardous asbestos particles into the atmosphere.
 - ✗ **DO NOT** direct jet against yourself, other persons or animals, electrical equipment or the machine itself.
 - ✓ When not in use store in a frost proof, dry childproof location.
 - NOTE:** This appliance can be used by children aged from 8 years and above and persons with reduced physical, sensory or mental capabilities or lack of experience and knowledge if they have been given supervision or instruction concerning use of the appliance in a safe way and understand the hazards involved. Children shall not play with the appliance. Cleaning and user maintenance shall not be made by children without supervision.
 - ✓ Keep the washer clean for best and safest performance.
 - ✓ Before each use check all attachments and connections for condition. If worn or damaged replace immediately.
 - ✗ **DO NOT** allow untrained persons to operate the washer.

2. INTRODUCTION

The coolant system stepped adaptor, enables thorough flushing of debris and contaminants from the cooling system during repair and maintenance. Wide nozzle adaptor uses air and water to form a powerful jet washer, which cleans or dries (air only). Air and water controls using a trigger for adjusting air pressure, and a lever for adjusting the water flow. Durable hard-wearing Acetal plastic. Can be used in many other applications when a water system requires cleaning or unblocking. Standard garden hose connector with swivel feature. Operating pressure: 87-145 psi/6-10 bar.

3. SPECIFICATION

MODEL NO:..... **VS0050**
Air Inlet size: 1/4 BSP
Adaptor size(s): Ø21, Ø31, Ø34, Ø39, Ø42mm
Operating pressure: 87-145psi/6-10 bar
Water inlet size:..... 3/4"

4. ASSEMBLY

- **WARNING!** Ensure that you read, fully understand, and apply the safety instructions before use.

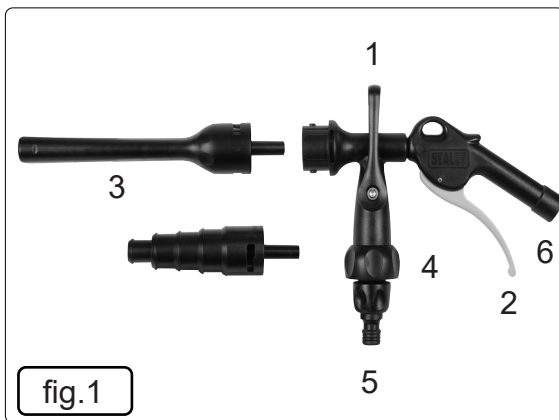
4.1. LANCE CONNECTION

4.1.1. Both lances connect to the hand unit via a bayonet type quarter-turn connector (fig.1).

4.2. SUPPLY HOSE CONNECTIONS

4.2.1. The supply hose for the water connects at fig.1.5 which is a quick fit connector.

4.2.2. The air connection point is connected to the rear of the air flow trigger fig.1.6.



1	Water adjustment control
2	Air flow control trigger
3	Nozzle attachment (can interchange two different nozzles)
4	Water hose thread with built in swivel
5	Water coupling attachment
6	Threaded connection point for airline

5. OPERATION

5.1. PRIMARY CHECKS

5.1.1. Ensure that the water and air supply hoses and gun are correctly connected, and that air can circulate around without water or air leaking.

5.2. OPERATING THE UNIT

5.2.1. Hold the spray gun firmly to counteract the recoil caused by the high pressure jet of the water. Before operating, ensure that the lance is not directed at people, objects or animals prior to being directed at the object to be cleaned.

5.2.2. To start spraying turn on water supply and adjust water flow (fig.1.1) turn on air supply and depress the trigger (fig.1.2) gently this will release air to the water causing a pressurised jet. Both water and air can then be adjusted in accordance with the job at hand.

5.2.3. WHEN WASHING IS COMPLETED

5.2.4. Release residual pressure by turning off the air supply and water tap before disconnecting hose,

5.2.5. Discharge any residual pressure in the unit by pressing the trigger until no more air or water comes out of the nozzle.

- **WARNING!** Failure to discharge pressure could result in personal injury.

5.2.6. Wipe the jet wash gun clean and dry.

5.2.7. Store in a clean, safe, dry, frost free and childproof location.



ENVIRONMENT PROTECTION

Recycle unwanted materials instead of disposing of them as waste. All tools, accessories and packaging should be sorted, taken to a recycling centre and disposed of in a manner which is compatible with the environment. When the product becomes completely unserviceable and requires disposal, drain any fluids (if applicable) into approved containers and dispose of the product and fluids according to local regulations.



REGISTER YOUR PURCHASE HERE

Note: It is our policy to continually improve products and as such we reserve the right to alter data, specifications and component parts without prior notice.

Important: No Liability is accepted for incorrect use of this product.

Warranty: Guarantee is 12 months from purchase date, proof of which is required for any claim.

Sealey Group, Kempson Way, Suffolk Business Park, Bury St Edmunds, Suffolk. IP32 7AR

01284 757500

sales@sealey.co.uk

www.sealey.co.uk