

# SEALEY

## PIT JACK 20TONNE VIKING DOUBLE RAM

MODEL NO'S: VPJ20M-2L, VPJ20S-2L

Thank you for purchasing a Sealey product. Manufactured to a high standard, this product will, if used according to these instructions, and properly maintained, give you years of trouble free performance.

**IMPORTANT:** PLEASE READ THESE INSTRUCTIONS CAREFULLY. NOTE THE SAFE OPERATIONAL REQUIREMENTS, WARNINGS & CAUTIONS. USE THE PRODUCT CORRECTLY AND WITH CARE FOR THE PURPOSE FOR WHICH IT IS INTENDED. FAILURE TO DO SO MAY CAUSE DAMAGE AND/OR PERSONAL INJURY AND WILL INVALIDATE THE WARRANTY. KEEP THESE INSTRUCTIONS SAFE FOR FUTURE USE.



Refer to instruction manual



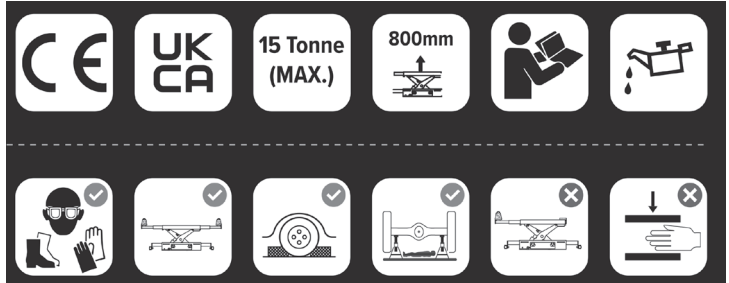
Wear eye protection



Wear protective clothing



Wear safety footwear



### 1. SAFETY

- ✓ The user shall work in accordance with the instruction handbook. Only to be used by trained personnel.
- ✓ It is necessary that the operator can watch the lifting device and the load during all movements.
- ✓ It is not allowed to work under the raised load until it is secured by suitable means.
- ✓ The operator shall be provided with all necessary information about training and about pumping and translating forces.
- ✓ The A-weighted Sound Pressure Level of the product does not exceed 70dB(A).
- ✓ Ensure the beam is in sound condition and good working order. Take action for immediate repair or replacement of damaged parts. Use genuine parts only. The use of improper parts may be dangerous and will invalidate the warranty.
- ✓ Inspect the beam before each use. **DO NOT** use the beam if it is damaged, altered, modified, in poor condition, leaking hydraulic fluid, or unstable due to missing parts.
- ✗ **DO NOT** alter or modify this beam, including the safety valve, in any way. **DO NOT** load the beam beyond its rated capacity.
- ✗ **DO NOT** use the beam for purposes other than that for which it is intended.
- ✓ Before installing and using the product, please carefully read and fully understand the contents of these instructions, and make sure that every operator of the product has read and understood the contents, and put the instruction in a safe place for future reference.
- ✗ **DO NOT** use for the lifting of persons.
- ✓ Use the beam only for its intended purpose.
- ✓ Consult the vehicle manufacturer for the correct lifting locations.
- ✓ Make sure the vehicle is in park and the handbrake is on before attempting to raise the vehicle.
- ✓ Only use the saddles provided with the jacking beam.
- ✓ Be sure setup is stable and secure before lifting. Be careful of pinch points.
- ✓ This is a lifting device only. Make sure the load is central on saddles before lifting.
- ✓ The beam can only be used to lift one end of the vehicle.
- ✓ Ensure that there are no persons or obstructions beneath the vehicle before lowering. Always lower load slowly and carefully.
- ✓ Please check the spillage of oil before use, if you notice a spillage of oil, stop using the product and repair immediately.
- ✓ In the event of breakdown or accident or if the product can not be lowered as wished, the vehicle must be secured by suitable means against unintended lowering. Get a new suitable product, with which you can lift the vehicle, so that the defect product can be repaired or removed and changed. If you are unsure, please ask for professional help.
- ✗ **DO NOT** work under the raised load until it is secured by suitable means.
- ✓ Product safety markings need to be inspected before use and be maintained in as new condition. Contact Sealey for replacements if damaged.
- ✓ This product must be maintained and repaired in accordance with the manufacturers instructions. Such maintenance and repair shall be carried out by qualified persons.
- ✓ This jacking beam is only to be mounted on lifts approved by the lift manufacturer for mounting of jacking beams. Be aware that not all lifts are approved. Rated beam capacity must be max. 2/3 of vehicle lift capacity.
- ✓ Mount the jacking beam with adequate support arms on horizontal, parallel and solid rails and secure arms before use.
- ✓ Check before each lift, that the support arms are correctly placed on rail of lift or pit edge.
- ✓ Always lower the jacking beam to the nearest safety stop immediately - or use axle stands for support before working on vehicle.
- ✗ **DO NOT** overload, for instance due to sudden external overload can cause damage or failure of the jacking beam.
- ✓ During lifting make sure that the saddles cannot slide.
- ✓ Gravity of load must always be placed centrally.
- ✓ The 2 extension arms must only be used simultaneously.
- ☐ **WARNING!** Failure to heed these precautions may result in loss of load, damage to beam and/or personal injury.
- ✓ **LIFETIME OF JACK:** 6 to 8 years
- ✗ **DO NOT** use for lifting persons.
- ✗ **DO NOT** use with foodstuffs.
- ✓ In the event of oil spillage refer to MSDS.
- ✓ In the event of breakdown or accident: Stop the operation being performed. Leave the work area, retire to a safe distance. Risk assess what to do next. Assess the nature of the breakdown/accident.
- ☐ **WARNING!** In the event of leakage of hazardous substances or fire, refer to MSDS.

## 2. INTRODUCTION

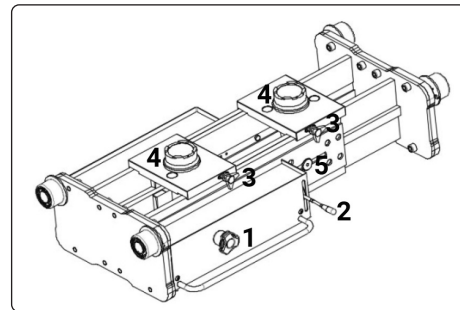
Fitted with leaf spring support bearings for easy glide transversing the ram. Shut off valves allow twin or single ram lifts. Air operation takes the effort out of lifting heavy plant, tractors and commercial vehicles. Rocket lift feature brings the saddle into contact with the jacking point quickly and slows once under load for a controlled lift. Fitted with deadman controls and a limited descent control valve. Manufactured to suit pit widths between 920 - 1220mm. Large handle for moving the frame, air coupling and water separator and spare parts tray/tool tray with rubber mat insert.

## 3. SPECIFICATION

<b>Model No:</b>	<b>VPJ20M-2L</b>	<b>VPJ20S-2L</b>
<b>Capacity:</b>	20tonne	
<b>Weight:</b>	265kg	230kg
<b>Applicable Standards:</b>	EN1494	
<b>Range of Environmental Conditions for Use:</b>	-20 to 50°C	
<b>Optional Accessories:</b>	VPJ20MCBA - Twin Ram Cross Beam Adaptor, VJP20M2CBA - Twin Ram Cross Beam Adaptor Extendable, VPJ-VA - V-Adaptor, VJP-UA - U-Adaptor, VPJ-A7 - Extension For Pit Jacks 100mm, VPJ-A8 - Extension For Pit Jacks 200mm, VPJ20S-2HSS - Integrated Safety Stand	

## 4. FEATURES

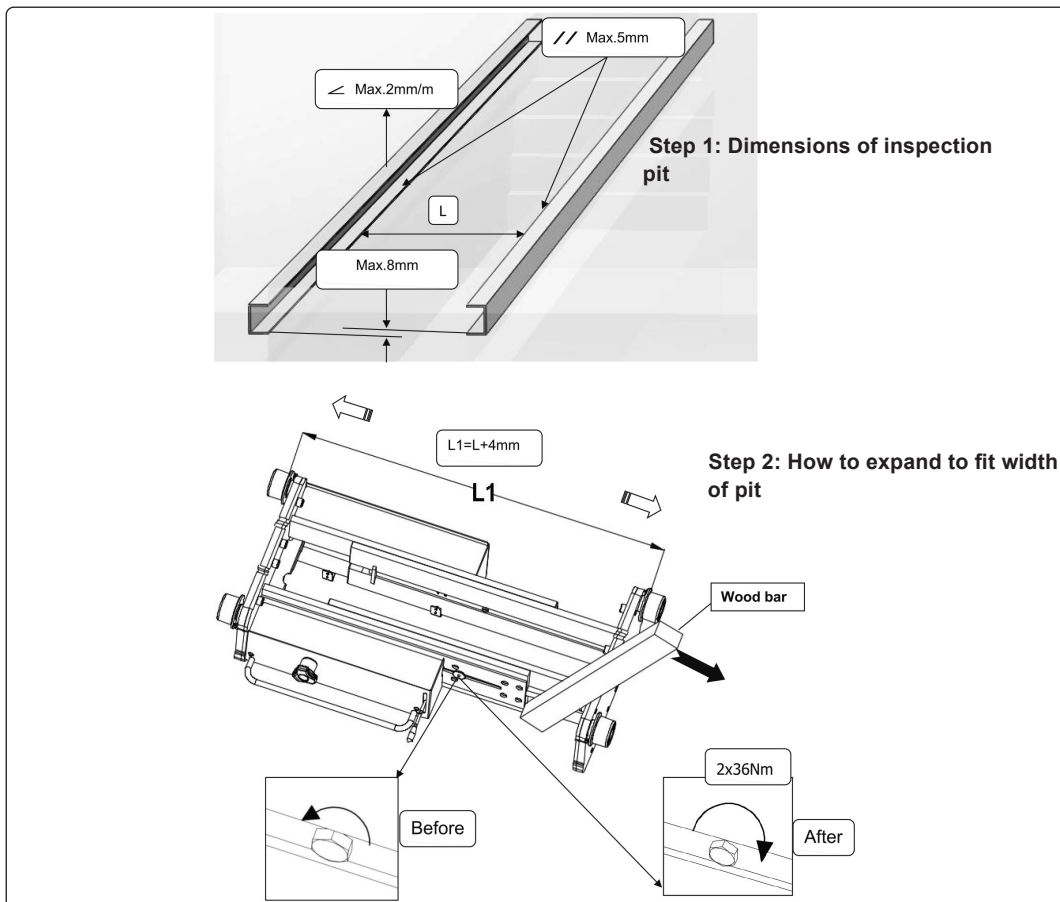
1. Release knob
2. Up/down switch handle
3. Cylinder locking knobs
4. Rams
5. Width adjustment screw



## 5. INSTALLATION

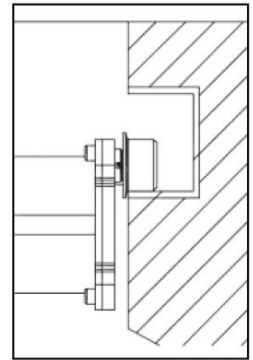
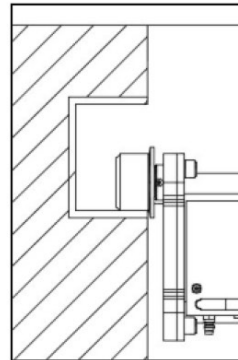
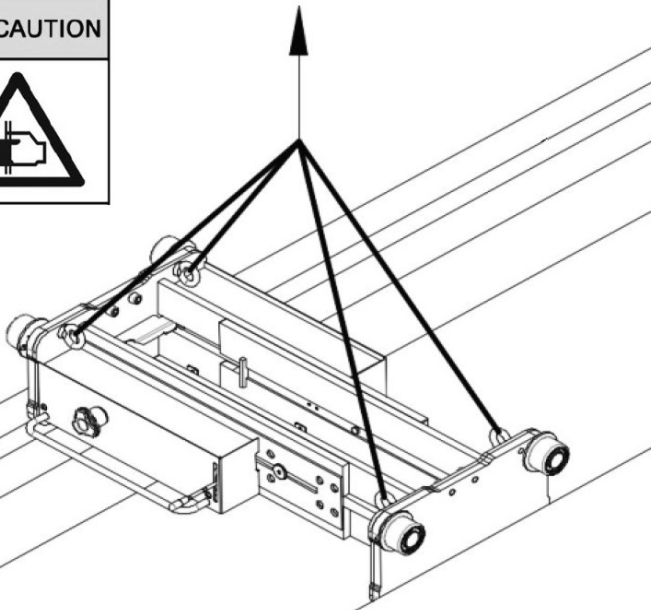
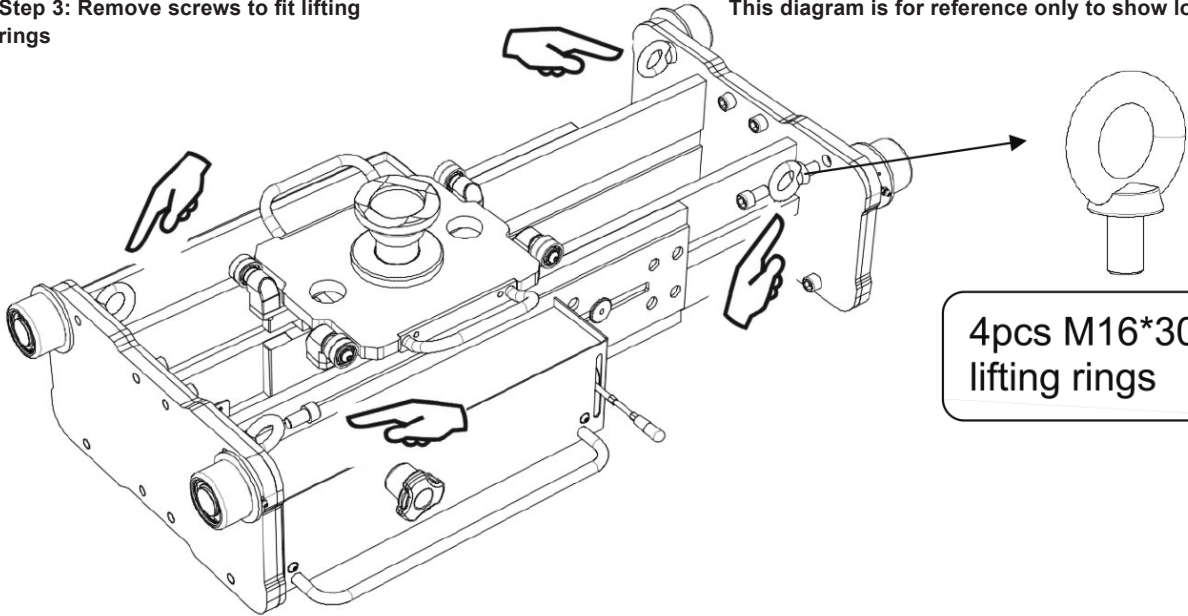
### 5.1. TRANSPORT

- 5.1.1. Very heavy product. Must only be transported using the correct equipment. Must only be lifted using the correct lifting points with the supplied lifting eyes fitted, see Step 3.



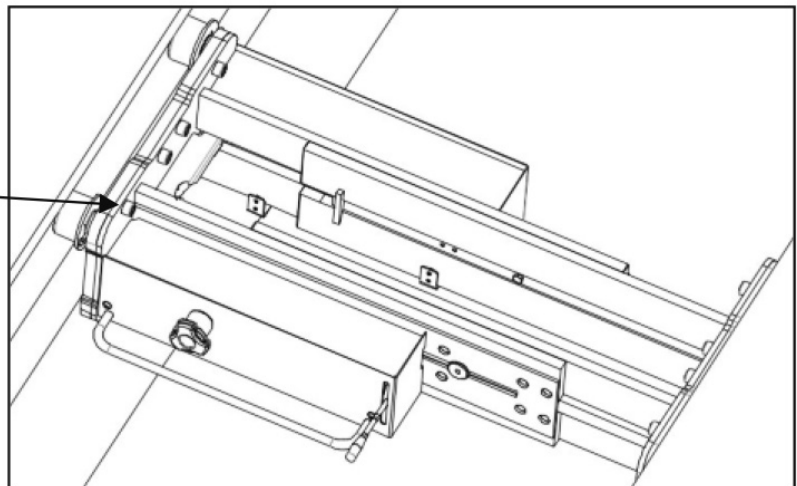
Step 3: Remove screws to fit lifting rings

This diagram is for reference only to show location

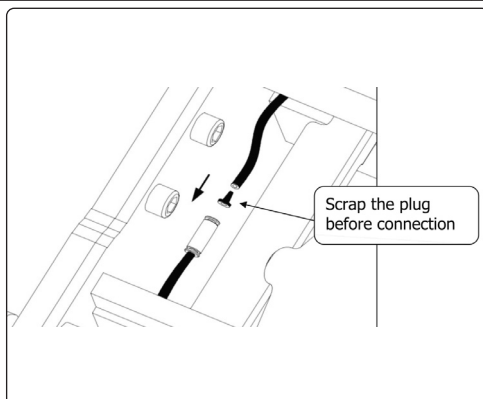
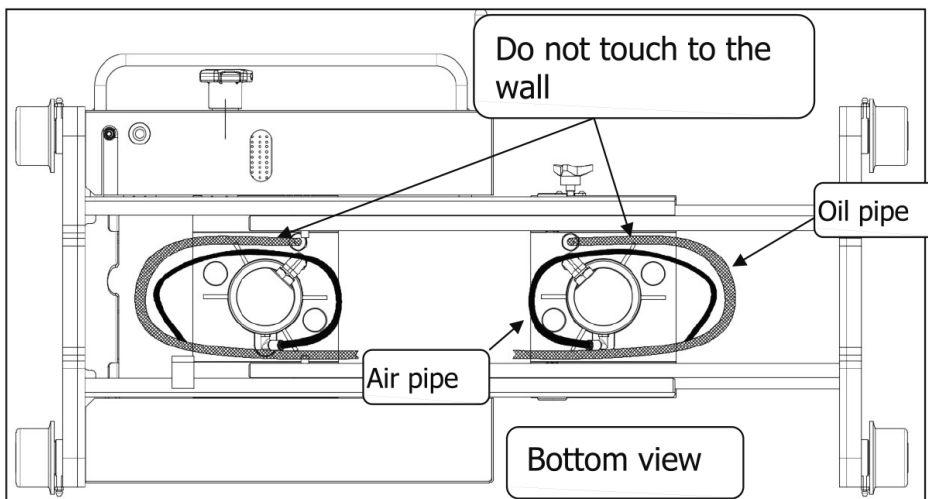
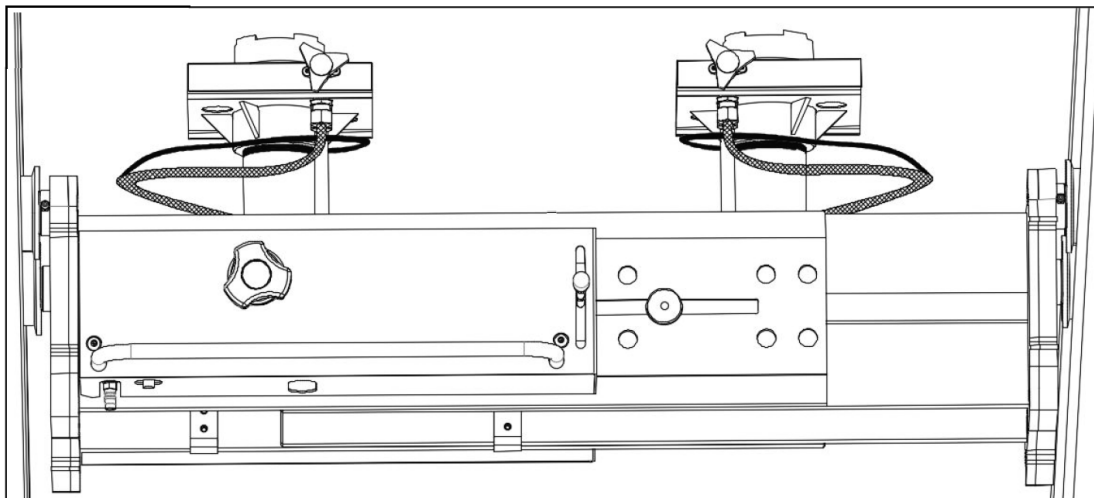
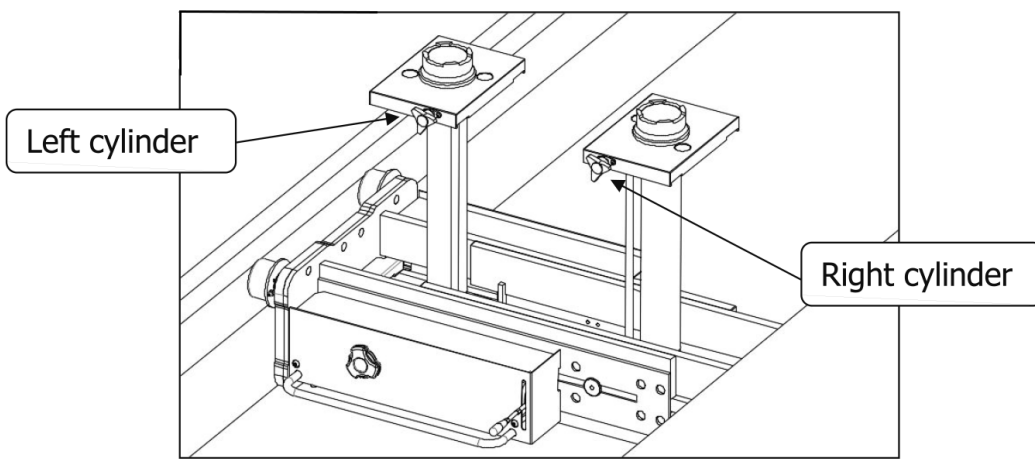


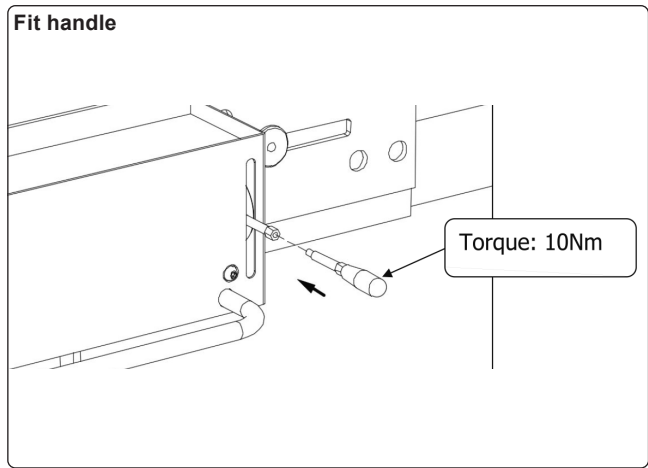
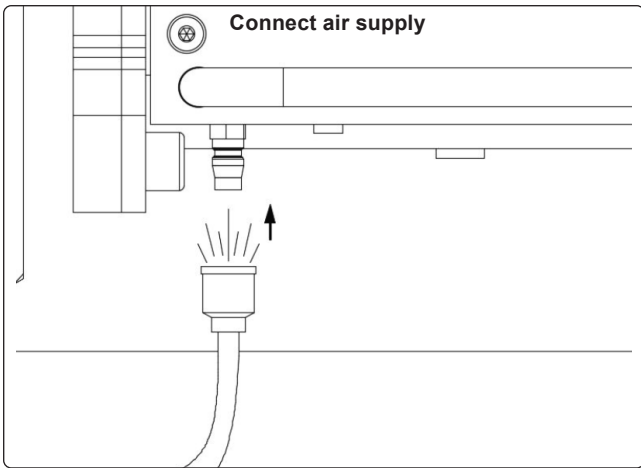
Step 4: Lift into position. Ensure wheels are running in correct position

Step 5: Refit 4 x M16x30 screws

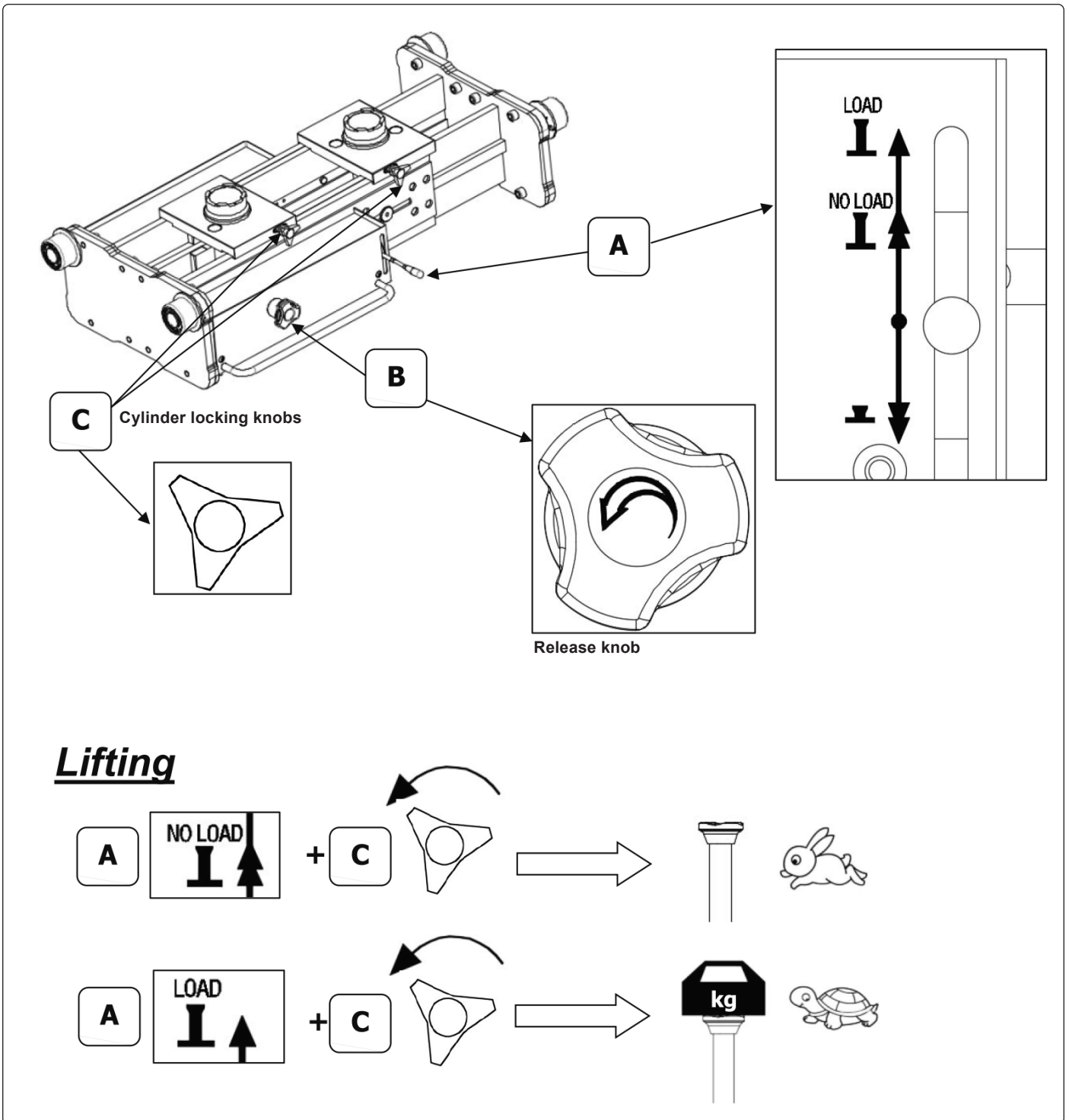


## 12. ASSEMBLY

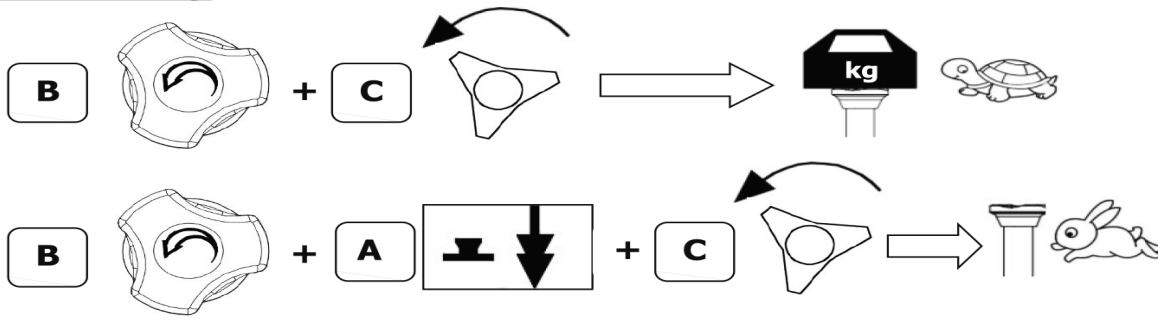




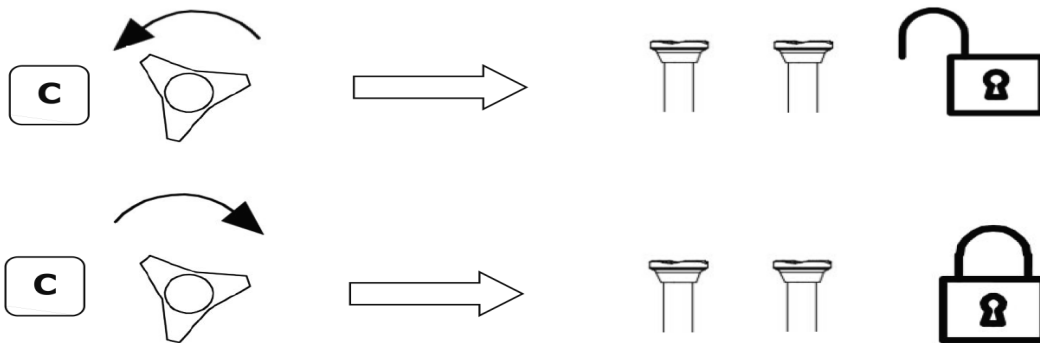
## 6. ASSEMBLY



## Lowering



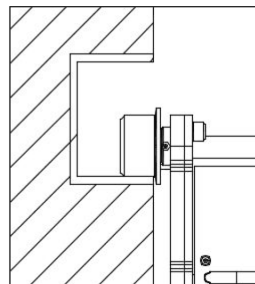
## Locking cylinder



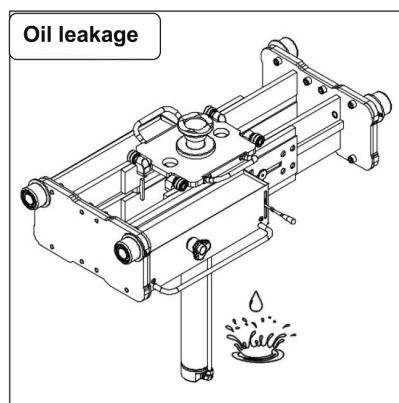
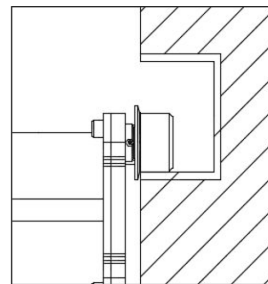
## 8. MAINTENANCE

### 8.1. DAILY MAINTENANCE

NOTE: The following diagrams are for reference only.



Inspect condition of wheels



Check for oil leaks from:

Cylinder Seal

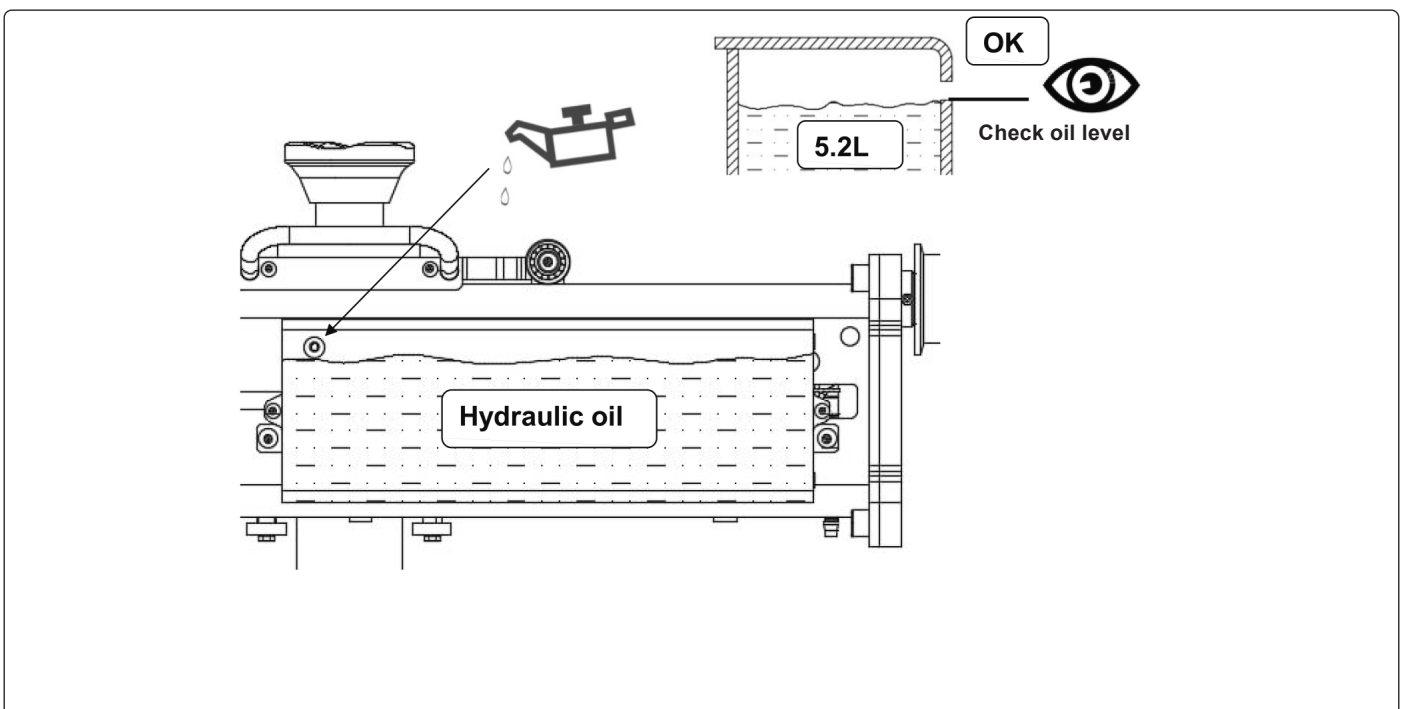
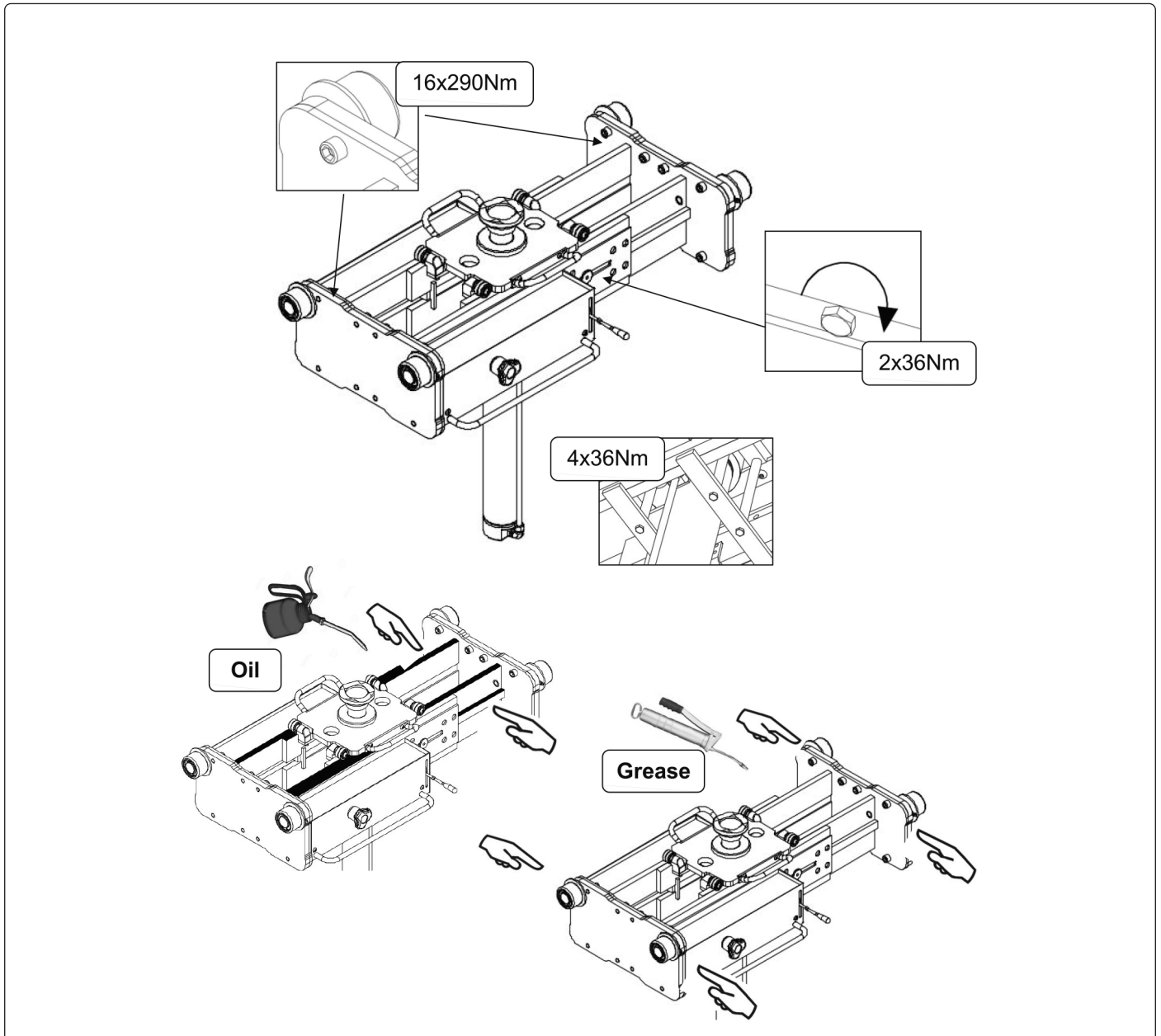
Oil tank

Pneumatic Pump

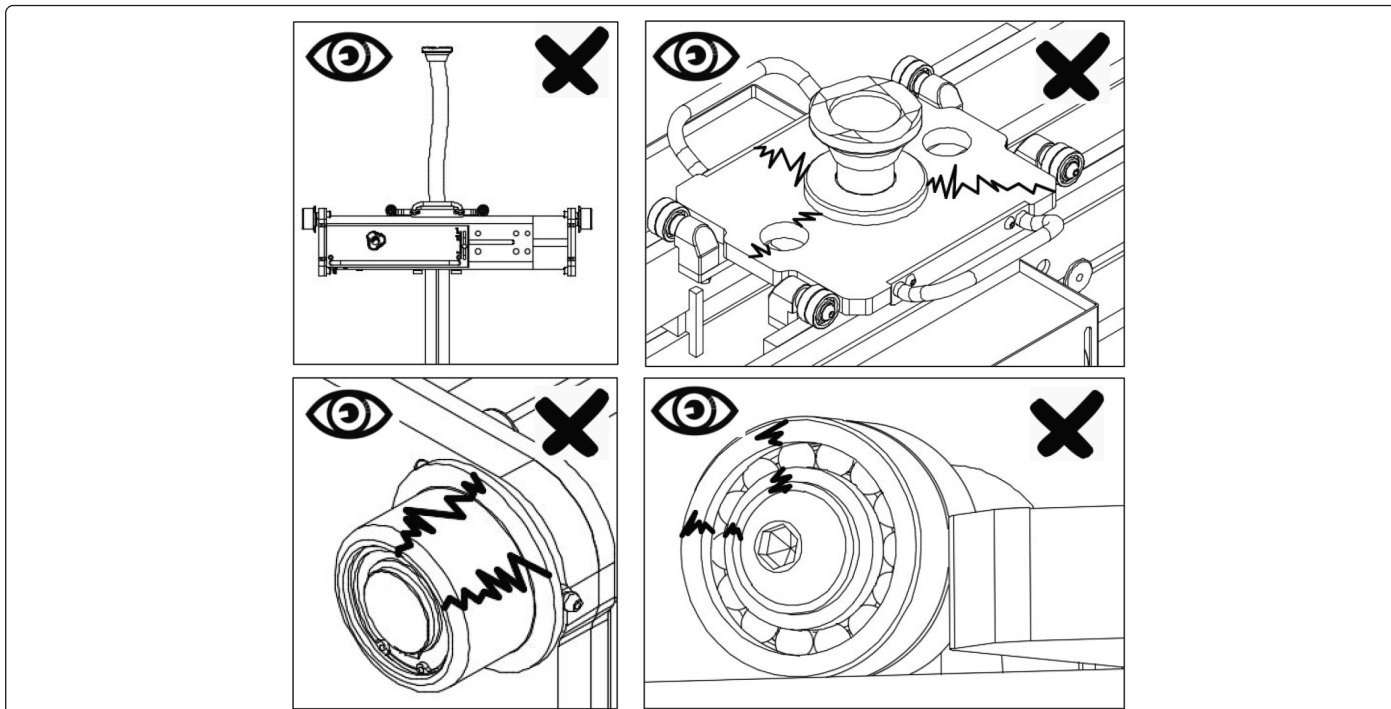
Oil pipe

Connector

## 8.2. MONTHLY MAINTENANCE



## Check for deformation and cracks



### 8.3. GENERAL MAINTENANCE

**NOTE:** Only fully qualified personnel should attempt maintenance or repairs.

- 8.3.1. Before each use check for broken, cracked, bent, or loose parts, or any visible damage to pump, saddles, lifting arms, frame and all parts including nuts, bolts, pins and other fasteners. If any suspect item is found, remove beam from service and take action to remedy the problem. **DO NOT** use the beam if it is believed to have been subjected to abnormal load or shock load. Inspect and take appropriate action.
- 8.3.2. Periodically check the pump piston and the ram for signs of corrosion. Clean exposed areas with a clean oiled cloth.  
N.B.: NO RESPONSIBILITY IS ACCEPTED FOR INCORRECT USE OF THIS PRODUCT. Hydraulic products are only repaired by local service agents. We have service/repair agents in all parts of the UK.
- × **DO NOT RETURN JACKS TO US.** Please telephone us on 01284 757500 to obtain the address and phone number of your local agent.  
If jack is under guarantee you can also contact your local stockist.  
Keep the beam clean and lubricate all moving parts on a regular basis
- 8.3.3. **HYDRAULIC OIL**
- WARNING! DO NOT** use brake fluid, or any fluid other than a good quality jack oil, such as SEALEY HYDRAULIC JACK OIL, as this may cause serious damage to the jack and will invalidate the warranty!
- 8.3.3.1. When refilling the hydraulic system, the characteristics of the hydraulic fluid used in the jack and the level of hydraulic fluid as it is given by the manufacturer shall be observed.
- 8.3.4. Jacks shall be maintained and repaired in accordance with the manufacturer's instructions. Such maintenance and repair shall be carried out by qualified persons.
- 8.3.5. No modifications shall be carried out which adversely affect the compliance of the jack with this standard.
- 8.3.6. The markings must remain as they were initially supplied.

## 9. STORAGE

- 9.1. When not in use beam should be stored in its lowest position to minimise corrosion. Store in a dry place.

## 10. END OF LIFE

- 10.1. Dispose of according to local regulations in force:  
Drain fluids.  
Dismantle by performing the Assembly section in reverse.



### ENVIRONMENT PROTECTION

Recycle unwanted materials instead of disposing of them as waste. All tools, accessories and packaging should be sorted, taken to a recycling centre and disposed of in a manner which is compatible with the environment. When the product becomes completely unserviceable and requires disposal, drain any fluids (if applicable) into approved containers and dispose of the product and fluids according to local regulations.

**Note:** It is our policy to continually improve products and as such we reserve the right to alter data, specifications and component parts without prior notice.

**Important:** No Liability is accepted for incorrect use of this product.

**Warranty:** Guarantee is 36 months from purchase date, proof of which is required for any claim.



REGISTER YOUR PURCHASE HERE

Sealey Group, Kempson Way, Suffolk Business Park, Bury St Edmunds, Suffolk. IP32 7AR



01284 757500











sales@sealey.co.uk







www.sealey.co.uk



## 11. AVAILABLE ACCESSORIES

Accessory	Model No:		VPJ20M-2L VPJ20S-2L	VPJ20M-2H VPJ20S-2H
	VPJ15MCBA Cross Beam Single Ram Adaptor 15 Tonne			
	VPJ20MCBA Cross Beam Twin Ram Adaptor 20 Tonne		✓	✓
	VPJ15M2CBA Cross Beam Extendible Single Ram Adaptor 11-15 Tonne <b>NOTE: 11 TONNE CAPACITY WHEN EXTENDED</b>			
	VPJ20M2CBA Cross Beam Extendible Twin Ram Adaptor 11-15 Tonne <b>NOTE: 11 TONNE CAPACITY WHEN EXTENDED</b>		✓	✓
	VPJ-DB Diff Beam Viking Adaptor		✓	✓
	VPJ-VA V-Adaptor for Viking Pit Jacks		✓	✓
	VPJ-UA U-Adaptor for Viking Pit Jacks		✓	✓
	VPJ-A7 Extension for Viking Pit Jacks 100mm		✓	✓

	<p>VPJ-A8 Extension for Viking Pit Jacks 200mm</p>		<p>✓</p>	<p>✓</p>
	<p>VPJ15SS Viking Pit Jack Safety Stand 10 Tonne</p>			
	<p>VPJ20-2LSS Viking Pit Jack Safety Stand 10 Tonne</p>		<p>✓</p>	
	<p>VPJ20-2HSS Viking Pit Jack Safety Stand 10 Tonne - High</p>			<p>✓</p>