



Ø254MM TABLE SAW

MODEL NO: TS10P.V2

Thank you for purchasing a Sealey product. Manufactured to a high standard, this product will, if used according to these instructions, and properly maintained, give you years of trouble free performance.

IMPORTANT: PLEASE READ THESE INSTRUCTIONS CAREFULLY. NOTE THE SAFE OPERATIONAL REQUIREMENTS, WARNINGS & CAUTIONS. USE THE PRODUCT CORRECTLY AND WITH CARE FOR THE PURPOSE FOR WHICH IT IS INTENDED. FAILURE TO DO SO MAY CAUSE DAMAGE AND/OR PERSONAL INJURY AND WILL INVALIDATE THE WARRANTY. KEEP THESE INSTRUCTIONS SAFE FOR FUTURE USE.



Refer to instruction manual



Wear protective gloves



Wear eye protection



Wear face mask



Wear ear protection

1. SAFETY

1.1. ELECTRICAL SAFETY

- WARNING!** It is the user's responsibility to check the following:
 - ✓ Check all electrical equipment and appliances to ensure that they are safe before using.
 - ✓ Inspect power supply leads, plugs and all electrical connections for wear and damage.
 - ✓ Ensure that the insulation on all cables and on the appliance is safe before connecting it to the power supply.
 - ✗ **DO NOT** use worn or damaged cables, plugs or connectors.
 - ✓ Ensure that any faulty item is repaired or replaced immediately by a Sealey qualified technician.
 - ✓ If the cable or plug is damaged during use, switch off the electricity supply and remove from use. Sealey recommend that an RCD (Residual Current Device) is used with all electrical products. Important: Ensure that the voltage rating on the appliance suits the power supply to be used and that the plug is fitted with the correct fuse.
 - ✗ **DO NOT** pull or carry the appliance by the power cable.
 - ✗ **DO NOT pull the plug from the socket by the cable.**
 - ✓ If an extension reel is used it should be unwound fully before connection. A reel with an RCD fitted is preferred since any appliance plugged into it will be protected. The cable core section is important and should be at least 1.5mm², but to be absolutely sure that the capacity of the reel is suitable for this product and for others which may be used in the other output sockets, we recommend the use of 2.5mm² section cable. If an extension reel is to be used outdoors, ensure it is marked for outdoor use.

1.2. GENERAL SAFETY

- ✓ Familiarise yourself with the applications, limitations and potential hazards of the saw.
- WARNING!** Disconnect the saw from the electric supply before changing accessories, servicing or performing any maintenance.
- ✓ The machine must only be serviced by a competent person or service agent. Contact your Sealey stockist for information.
- ✓ Select a work area suitable for the saw and keep the area clean, tidy and free from unrelated materials. Ensure that there is adequate lighting.
- ✓ Stand the saw on a stable floor strong enough to take the weight of the machine and workpiece.
- ✓ Wood dust can be harmful to health by inhalation and skin contact and concentrations of small dust particles in the air can form an explosive mixture. Ensure that there is adequate ventilation and that the saw is attached to a dust-extraction unit.
- ✓ Maintain the saw in good condition, check moving parts alignment regularly. Keep saw blades clean and sharp.
- ✓ Replace or repair damaged parts. Use recommended parts only. Unauthorised parts may be dangerous and will invalidate the warranty.
- WARNING!** Keep all guards in place and in good working order. Check regularly for damaged parts. A guard, or any other part, that is damaged must be repaired or replaced before the saw is next used. The safety guard is a mandatory fitting where the saw is used on premises covered by the Health & Safety at Work Act.
- ✓ Before commencing work, ensure that the saw blade is set to cut in the correct direction, securely fastened, sharp and is compatible with the machine, spindle speed and the material to be cut. Never use a saw blade if damaged, bent or warped. Use only recommended saw blades.
- ✓ Remove adjusting keys and wrenches from the machine and the vicinity before switching on.
- ✓ Machine operators must have received sufficient training and instructions relating to the dangers associated with the machine, the precautions to be observed and those requirements of the Wood Working Machines Regulations which apply. Inexperienced operators must be under the adequate supervision of a person who has a thorough knowledge and experience of the machine and the required guards.
- ✗ **DO NOT** operate the saw if any parts are damaged or missing as this may cause product failure and/or personal injury.
- ✗ **DO NOT** operate the saw when you are tired or under the influence of alcohol, drugs or intoxicating medication.
- ✓ When not in use, switch off the saw and unplug from the power supply.
- WARNING!** Wear approved safety eye protection, ear defenders and respiratory protection.
- ✓ Remove ill fitting clothing. Remove ties, watches, rings and other loose jewellery and contain long hair.
- ✓ Keep hands and body clear of the blade when operating the saw.
- ✓ Maintain correct balance and footing. Ensure the floor is not slippery and wear non-slip shoes.
- ✓ Keep children and unauthorised persons away from the work area.
- ✓ Avoid unintentional starting and never leave the saw operating unattended.
- ✗ **DO NOT** use the saw for a task it is not designed to perform and ensure that operators are trained to use the saw.
- ✗ **DO NOT** get the saw wet or use in damp or wet locations or areas where there is condensation.
- ✗ **DO NOT** use the saw where there are flammable liquids, solids or gases such as paint solvents and including waste cleaning rags etc.
- ✓ Connect to a suitable extraction system. Failure to do so will result in the build-up of sawdust which will become a fire hazard.

- ✓ Keep riving knife and blade guard in place and operational, and replace table insert when worn.
 - ✓ Ensure that the saw blade is suitable for the material to be cut.
 - ☐ **WARNING!** Before each use, check that the saw blade is secure and not worn or damaged.
 - ✓ Make sure that the saw table is clear of tools, waste wood etc. before starting the saw.
 - ✓ Make sure that the blade is not touching the guard, riving knife or workpiece before starting the saw.
 - ✓ Use the blade guard for all “through-sawing” operations. Through-sawing operations are those where the blade cuts through the workpiece completely as in ripping or cross-cutting.
 - ✓ Check workpiece to ensure that there are no nails or other items which may foul the saw blade.
 - ✓ Hold the work firmly against the fence bar.
 - ✓ Only feed the workpiece into the blade against the rotation of the blade.
 - ✓ Avoid subjecting the saw blade to excessive strain - never force the workpiece. Maintain a controlled, steady progression.
 - ✓ Should the saw blade jam, switch the power off immediately to prevent damage to the motor.
 - ✓ To avoid “kickback” (when a workpiece is violently thrown back towards the operator) implement the following:
 - a) Keep the blade sharp.
 - b) Keep the fence parallel to the saw blade.
 - c) **DO NOT** release the workpiece before it is pushed all the way past the saw blade.
 - d) **DO NOT** rip work that is twisted or warped or does not have a straight edge to guide along the fence.
 - ✓ Use a push stick for ripping narrow workpieces.
 - ✓ Provide adequate support to the rear and sides of the saw table for long or wide workpieces.
 - ✗ **DO NOT** use your hands alone (“free-hand”) to guide the workpiece. Hold work firmly against the fence bar to guide work through the saw.
 - ✗ **DO NOT** place yourself in an awkward operating position where a slip could cause your hand to move into the blade.
 - ✗ **DO NOT** stand, or have any part of your body, in line with the path of the saw blade.
 - ✗ **DO NOT** use the fence as a cut-off gauge when cross-cutting.
 - ✗ **DO NOT** hold what will become the off-cut (the waste part of the workpiece).
 - ✗ **DO NOT** attempt to cut more than one workpiece, stacked vertically or horizontally.
 - ✗ **DO NOT** attempt to remove waste material whilst the saw is running.
 - ☐ **WARNING! DO NOT** reach behind or over the saw blade.
 - ☐ **WARNING! DO NOT** attempt to free a jammed saw blade without first switching off and removing the plug from the electric power supply.
 - ✗ **DO NOT** cut metals or substances that may produce toxic dust. Saw must only be used to cut wood or wood derived materials.
 - ✗ **DO NOT** attempt to cut round section wood.
 - ✗ **DO NOT** use solvents to clean plastic parts. Use a soft damp cloth only.
 - ✓ Store saw and blades in a safe, dry childproof location.
- 1.3. GUARDING RELATED WARNINGS**
- ✓ Keep guards in place. Guards must be in working order and be properly mounted. A guard that is loose, damaged, or is not functioning correctly must be repaired or replaced.
 - ✓ Always use saw blade guard and riving knife for every through-cutting operation. For through-cutting operations where the saw blade cuts completely through the thickness of the workpiece, the guard and other safety devices help reduce the risk of injury.
 - ✓ Immediately reattach the guarding system after completing an operation which requires removal of the guard and riving knife. The guard and riving knife help to reduce the risk of injury.
 - ✓ Make sure the saw blade is not contacting the guard, riving knife or the workpiece before the switch is turned on. Inadvertent contact of these items with the saw blade could cause a hazardous condition.
 - ✓ Adjust the riving knife as described in this instruction manual. Incorrect spacing, positioning and alignment can make the riving knife ineffective in reducing the likelihood of kickback.
 - ✓ For the riving knife to work, it must be engaged in the workpiece. The riving knife is ineffective when cutting workpieces that are too short to be engaged with the riving knife. Under these conditions a kickback cannot be prevented by the riving knife.
 - ✓ Use the appropriate saw blade for the riving knife. For the riving knife to function properly, the saw blade diameter must match the appropriate riving knife and the body of the saw blade must be thinner than the thickness of the riving knife and the cutting width of the saw blade must be wider than the thickness of the riving knife.
- 1.4. CUTTING PROCEDURES WARNINGS**
- ▲ **DANGER:** Never place your fingers or hands in the vicinity or in line with the saw blade. A moment of inattention or a slip could direct your hand towards the saw blade and result in serious personal injury.
 - ✓ Feed the workpiece into the saw blade only against the direction of rotation. Feeding the workpiece in the same direction that the saw blade is rotating above the table may result in the workpiece, and your hand, being pulled into the saw blade.
 - ✓ Never use the mitre gauge to feed the workpiece when ripping and do not use the rip fence as a length stop when cross cutting with the mitre gauge. Guiding the workpiece with the rip fence and the mitre gauge at the same time increases the likelihood of saw blade binding and kickback.
 - ✓ When ripping, always apply the workpiece feeding force between the fence and the saw blade. Use a push stick when the distance between the fence and the saw blade is less than 150 mm, and use a push block when this distance is less than 50 mm. “Work helping” devices will keep your hand at a safe distance from the saw blade.
 - ✓ Use only the push stick provided by the manufacturer or constructed in accordance with the instructions. This push stick provides sufficient distance of the hand from the saw blade.
 - ✓ Never use a damaged or cut push stick. A damaged push stick may break causing your hand to slip into the saw blade.
 - ✗ **DO NOT** perform any operation “freehand”. Always use either the rip fence or the mitre gauge to position and guide the workpiece. “Freehand” means using your hands to support or guide the workpiece, in lieu of a rip fence or mitre gauge. Freehand sawing leads to misalignment, binding and kickback.
 - ✓ Never reach around or over a rotating saw blade. Reaching for a workpiece may lead to accidental contact with the moving saw blade.
 - ✓ Provide auxiliary workpiece support to the rear and/or sides of the saw table for long and/or wide workpieces to keep them level. A long and/or wide workpiece has a tendency to pivot on the table’s edge, causing loss of control, saw blade binding and kickback.
 - ✓ Feed workpiece at an even pace. **DO NOT** bend or twist the workpiece. If jamming occurs, turn the tool off immediately, unplug the tool then clear the jam.
 - ✓ Jamming the saw blade by the workpiece can cause kickback or stall the motor.
 - ✗ **DO NOT** remove pieces of cut-off material while the saw is running. The material may become trapped between the fence or inside the saw blade guard and the saw blade pulling your fingers into the saw blade.

Turn the saw off and wait until the saw blade stops before removing material.

- ✓ Use an auxiliary fence in contact with the table top when ripping workpieces less than 2 mm thick. A thin workpiece may wedge under the rip fence and create a kickback.

1.5. KICKBACK SAFETY

- ✓ Kickback is a sudden reaction of the workpiece due to a pinched, jammed saw blade or misaligned line of cut in the workpiece with respect to the saw blade or when a part of the workpiece binds between the saw blade and the rip fence or other fixed object.
- ✓ Most frequently during kickback, the workpiece is lifted from the table by the rear portion of the saw blade and is propelled towards the operator.
- ✓ Kickback is the result of saw misuse and/or incorrect operating procedures or conditions and can be avoided by taking proper precautions as given below.
- ✓ Never stand directly in line with the saw blade. Always position your body on the same side of the saw blade as the fence. Kickback may propel the workpiece at high velocity towards anyone standing in front and in line with the saw blade.
- ✓ Never reach over or in back of the saw blade to pull or to support the workpiece. Accidental contact with the saw blade may occur or kickback may drag your fingers into the saw blade.
- ✓ Never hold and press the workpiece that is being cut off against the rotating saw blade. Pressing the workpiece being cut off against the saw blade will create a binding condition and kickback.
- ✓ Align the fence to be parallel with the saw blade. A misaligned fence will pinch the workpiece against the saw blade and create kickback.
- ✓ Use a featherboard to guide the workpiece against the table and fence when making non-through cuts such as rabbeting, dadoing or resawing cuts. A featherboard helps to control the workpiece in the event of a kickback.
- ✓ Use extra caution when cutting into blind areas of assembled workpieces. The protruding saw blade may cut objects that can cause kickback.
- ✓ Support large panels to minimise the risk of saw blade pinching and kickback. Large panels tend to sag under their own weight. Support(s) must be placed under all portions of the panel overhanging the table top.
- ✓ Use extra caution when cutting a workpiece that is twisted, knotted, warped or does not have a straight edge to guide it with a mitre gauge or along the fence. A warped, knotted, or twisted workpiece is unstable and causes misalignment of the kerf with the saw blade, binding and kickback.
- ✓ Never cut more than one workpiece, stacked vertically or horizontally. The saw blade could pick up one or more pieces and cause kickback.
- ✓ When restarting the saw with the saw blade in the workpiece, centre the saw blade in the kerf so that the saw teeth are not engaged in the material. If the saw blade binds, it may lift up the workpiece and cause kickback when the saw is restarted.
- ✓ Keep saw blades clean, sharp, and with sufficient set. Never use warped saw blades or saw blades with cracked or broken teeth. Sharp and properly set saw blades minimise binding, stalling and kickback.

1.6. TABLE SAW OPERATING PROCEDURE WARNINGS

- ✓ Turn off the table saw and disconnect the power cord when removing the table insert, changing the saw blade or making adjustments to the riving knife or saw blade guard, and when the machine is left unattended. Precautionary measures will avoid accidents.
 - ✓ Never leave the table saw running unattended. Turn it off and don't leave the tool until it comes to a complete stop. An unattended running saw is an uncontrolled hazard.
 - ✓ Locate the table saw in a well-lit and level area where you can maintain good footing and balance. It should be installed in an area that provides enough room to easily handle the size of your workpiece. Cramped, dark areas, and uneven slippery floors invite accidents.
 - ✓ Frequently clean and remove sawdust from under the saw table and/or the dust collection device. Accumulated sawdust is combustible and may self-ignite.
 - ✓ Remove tools, wood scraps, etc. from the table before the table saw is turned on.
 - ✓ Distraction or a potential jam can be dangerous.
 - ✓ Always use saw blades with correct size and shape (diamond versus round) of arbour holes. Saw blades that do not match the mounting hardware of the saw will run off-centre, causing loss of control.
 - ✓ Never use damaged or incorrect saw blade mounting means such as flanges, saw blade washers, bolts or nuts. These mounting means were specially designed for your saw, for safe operation and optimum performance.
 - ✓ Never stand on the table saw, **DO NOT** use it as a stepping stool. Serious injury could occur if the tool is tipped or if the cutting tool is accidentally contacted.
- 1.6.1. Make sure that the saw blade is installed to rotate in the proper direction. **DO NOT** use grinding wheels, wire brushes, or abrasive wheels on a table saw. Improper saw blade installation or use of accessories not recommended may cause serious injury.

2. INTRODUCTION

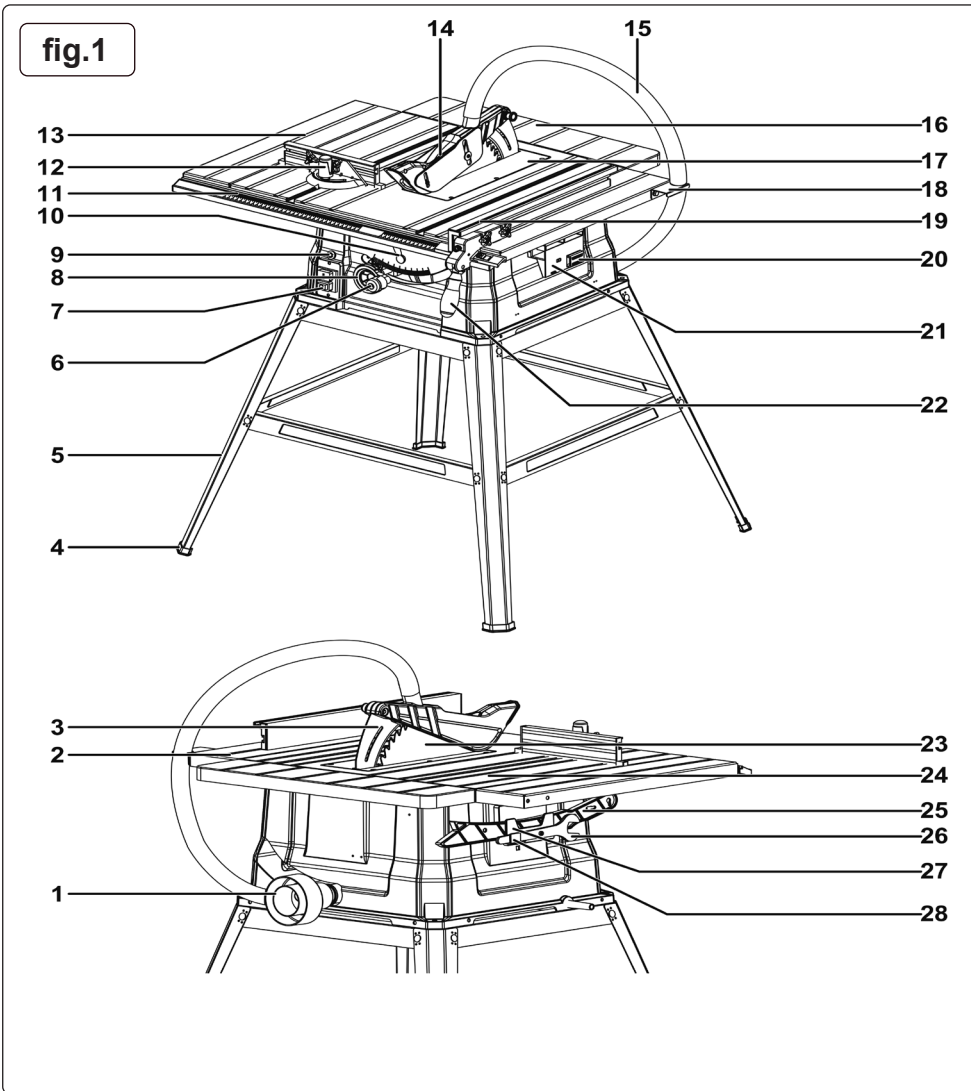
Powder coated aluminium table with one rear and two side extension tables. Supplied with 40 tooth TCT blade and 1500W motor. Cutting capacity: 80mm at 0° and 55mm at 45°. Includes quick lock rip-fence, mitre gauge, dust extraction port, push stick and sturdy metal stand. Fitted with 3-pin plug.

3. SPECIFICATION

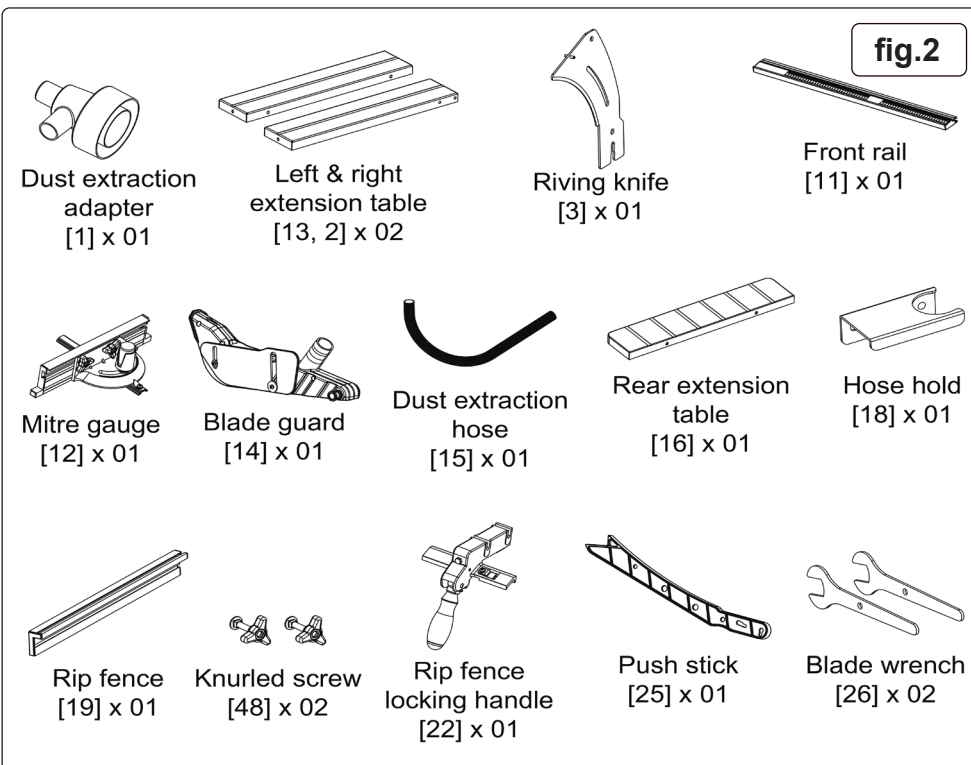
Model No:..... **TS10P.V2**
Fuse Rating: 13A
Weight:..... 26.7kg
Plug Type:..... 3-Pin
Power Supply Cable Length:..... 2m
Motor Power:..... 1500W - 230V
Saw Blade Diameter: Ø254mm
Arbor Diameter:..... Ø30mm
Speed: 4500rpm
Maximum Depth of 0° Cut: 80mm

Maximum Depth of 45° Cut: 55mm
Table Size (WxD): 554 x 540mm
Table Extension Sizes (W x D):
Side (x2): 115 x 540mm
Rear: 544 x 118mm
Dust Extraction OD: Ø58.5/99mm
Replacement Blade:..... TS10P.601

4. CONTENTS



Item No.	Description
1	Dust extraction adapter
2	Right extension table
3	Riving knife
4	Rubber foot
5	Stand
6	Height adjusting handle
7	On/Off switch
8	Bevel adjusting handwheel
9	Overload reset switch
10	Bevel locking handle
11	Front rail
12	Mitre gauge
13	Left extension table
14	Blade guard
15	Dust extraction hose
16	Rear extension table
17	Table insert
18	Hose holder
19	Rip fence
20	Mitre gauge storage
21	Rip fence storage
22	Rip fence locking handle
23	Saw blade
24	Working table
25	Push stick
26	Blade wrench
27	Push stick storage
28	Blade wrench storage



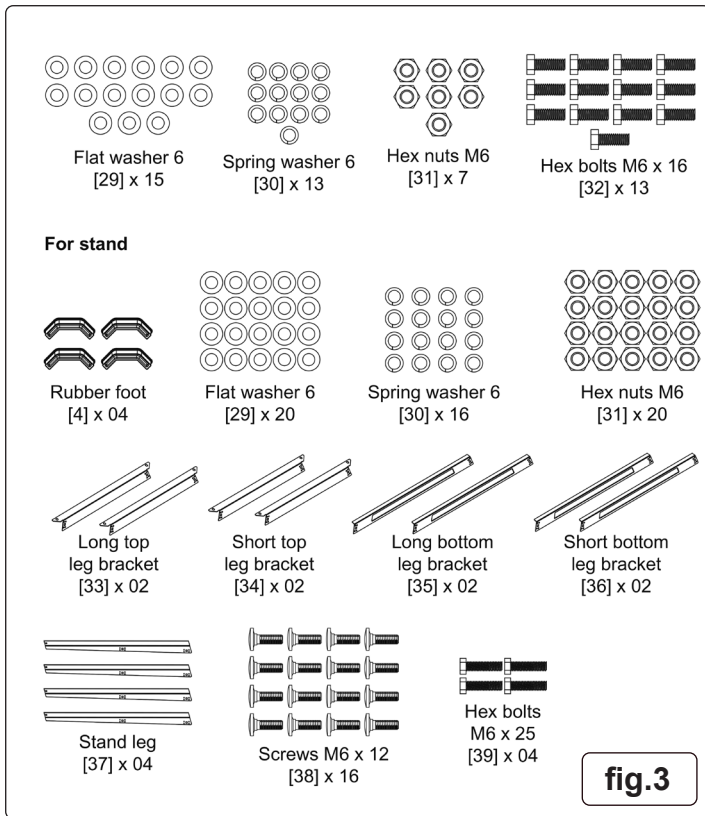


fig.3

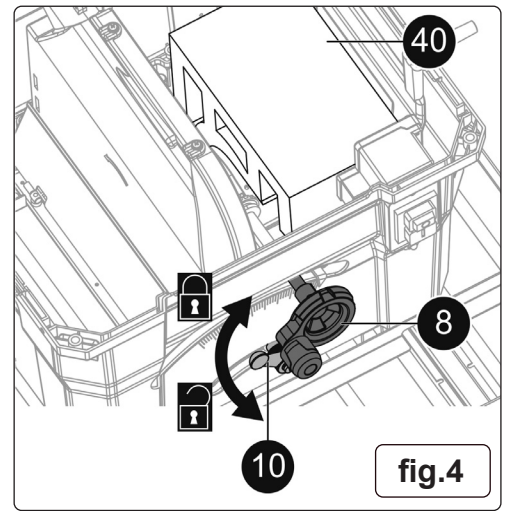


fig.4

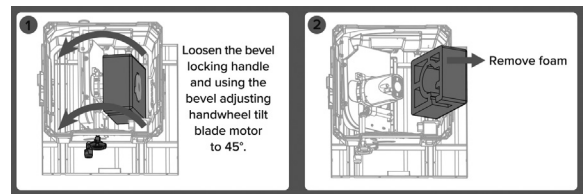


fig.3A

5. ASSEMBLY

5.1. REMOVING TRANSIT PACKING refer to fig.3A & fig.4

- 5.1.1. Place the saw table on a protective covering on the floor.
- 5.1.2. Unlock the blade tilt using the bevel locking handle (fig.4.10)
- 5.1.3. Tilt the blade using the bevel adjustment handwheel (fig.4.8) in an anticlockwise direction.
- 5.1.4. Wearing protective gloves, remove the foam transit packing (fig.4.40) from the motor.
- 5.1.5. Lock the bevel locking handle (fig.4.10) by turning clockwise.

5.2. CONNECTING THE EXTENSION TABLES

- 5.2.1. Whilst the saw is inverted, it will be easier to fit the extension tables (figs.5.13 & fig.5.2).
- 5.2.2. Offer the extension tables up to the edge of the main table and secure by inserting the captive bolts (fig.5.32) through the edge of the main saw table and securing with washers (fig.5.29, 5.30).
- 5.2.3. Attach hose holder (fig.1.18) to the right extension table (fig.5.2) using washers, bolts and nuts (fig.5.29, 5.30, 5.32, 5.31).
- 5.2.4. Turn the saw the correct way up (this is achieved more safely by two persons).

IMPORTANT! Holes 41 and 42 (fig.5.41, fig.5.42) MUST be on the front edge of the table.

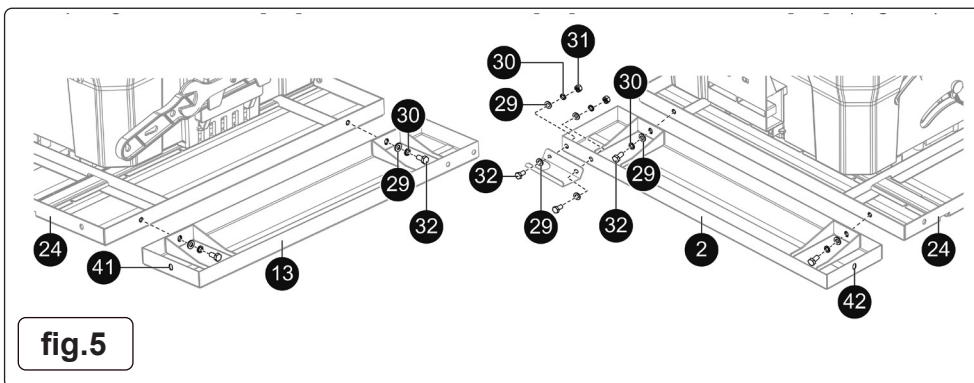
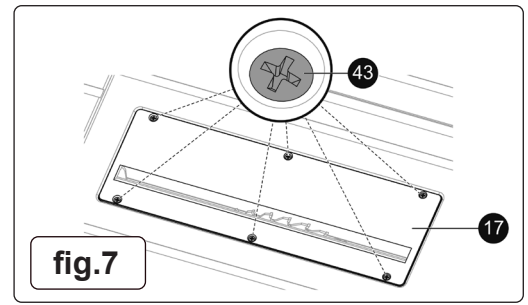
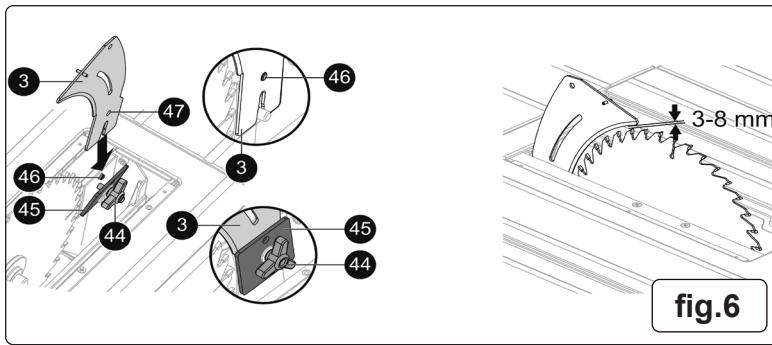


fig.5

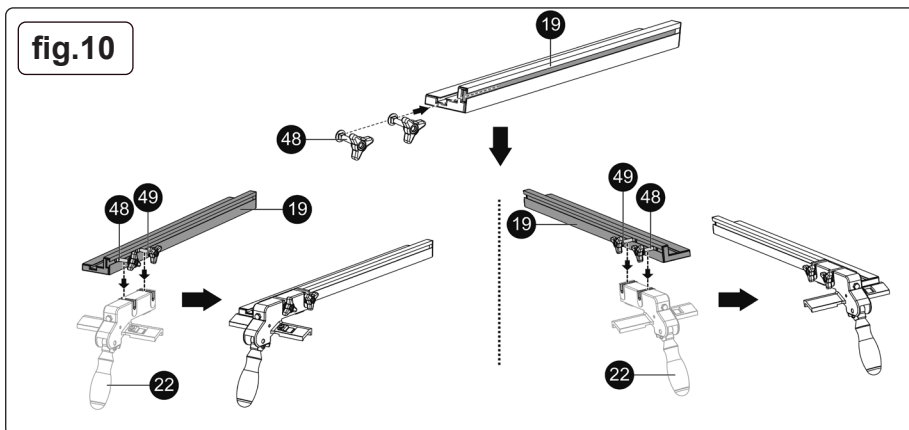
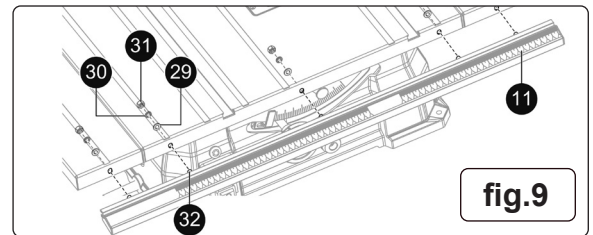
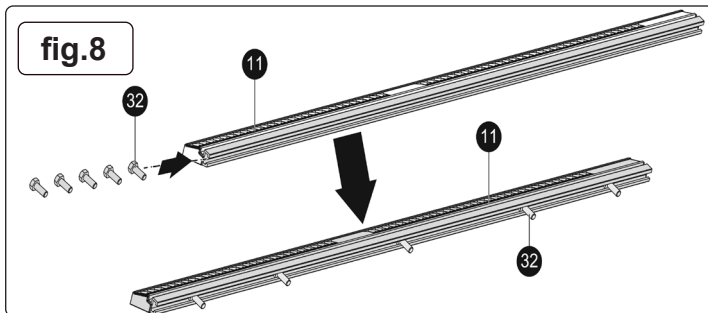
5.3. FITTING THE RIVING KNIFE

- 5.3.1. Remove cross head screws (fig.7.43) and remove table insert (fig.7.17).
- 5.3.2. Loosen blade bevel locking handle (fig.1.10), set bevel angle to 0°.
- 5.3.3. Raise the blade to its highest position using height adjusting handle (fig.1.6).
- 5.3.4. Loosen knob (fig.6.44) and pull square washer (fig.6.45) away from face.
- 5.3.5. Slide riving knife (fig.6.3) down until it clicks into place on pin (fig.6.46).
- 5.3.6. Push square washer onto pin and re-tighten knob (fig.6.44).
- 5.3.7. When re-assembled, the gap between the riven knife and saw blade should be between 3mm and 8mm (fig.6).



5.4. FRONT RAIL AND RIP FENCE

- 5.4.1. Slide five bolts (fig.8.32) into slot in front rail (fig.8.11).
- 5.4.2. Insert bolts (fig.9.32) into holes on work table and fit plain washer, spring washer and nuts (fig.9.29, fig.9.30 and fig.9.31).
- 5.4.3. Slide the two knurled screws (fig.10.48) into the slot of the rip fence. Turn the locking knob clockwise to tighten the rip fence locking handle [fig.10.22] on the rip fence [fig.10.19] with the flat washers [fig.10.49] and knurled screws [fig.10.48]. Rip fence locking handle [fig.10.22] can be mounted on left or right of the rip fence [fig.10.19] as shown in Fig.10.

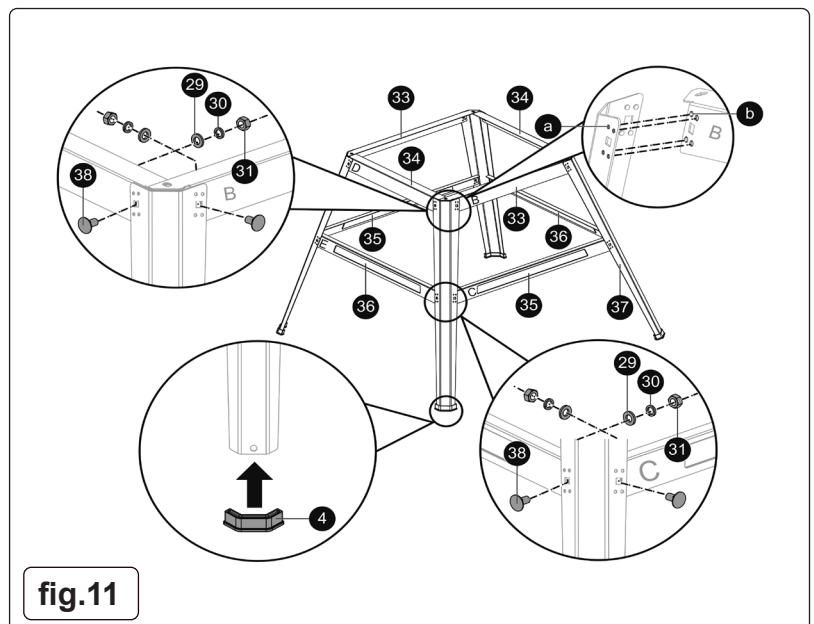


5.5. BLADE GUARD

- 5.5.1. To fit the blade guard (fig.1.14), place the guard so that the M10 bolt passes through it and the hole in the riving knife (fig.1.3, fig.6.3) and then screwing into the threaded portion beyond. When the bolt is fully home, turn the locking nut onto the exposed thread to lock. **NOTE:** The guard **must** be in position at all times and **must** be free to lift up and onto the work piece. The guard must return to its rest position after use.

5.6. FRAME AND SAW ASSEMBLY

- 5.6.1. Loosely fix top leg brackets (fig.11.33, fig.11.34) together using screws M6 x 12 (fig.11.38), plain washers (fig.11.29) spring washers (fig.11.30) and hex nuts (fig.11.31). **DO NOT** fully tighten until frame is complete.
- 5.6.2. Fix legs (fig.11.37) to top frame (section 5.7.1) ensuring engagement of studs on the legs into holes in the top frame. Fix in position using screws M6 x 12 (fig.11.38), plain washers (fig.11.29), spring washers (fig.11.30) and hex nuts (fig.11.31). **DO NOT** fully tighten until frame is complete.
- 5.6.3. Assemble bottom leg brackets (fig.11.35, fig.11.36) to legs (fig.11.37) ensuring engagement of studs on the legs into holes in the brackets. Fix in position using screws M6 x 12 (fig.11.38), plain washers (fig.11.29), spring washers (fig.11.30) and hex nuts (fig.11.31).
- 5.6.4. **DO NOT** fully tighten all fixings until frame is complete.



- 5.6.5. Push rubber feet (fig.11.4) onto stand legs (fig.11.37).
- 5.6.6. Align the holes in the saw table body with the holes in the frame. Fix in position using M6 x 25 hex bolts (fig.12.39), plain washer (fig.12.29) and hex nut (fig.12.31).

5.7. DUST EXTRACTION

- 5.7.1. It is recommended that a commercial vacuum cleaner is used to provide dust extraction for this saw table.
- 5.7.2. An extraction port (fig.1), adaptor (fig.1.1) and hose (fig.1.15) are provided to the rear of the machine (fig.1).
- 5.7.3. Coupling a suitable vacuum cleaner via a suitable adaptor will help keep the work area clean and reduce airborne dust.

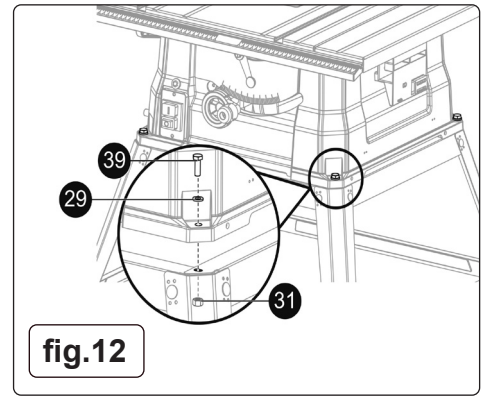


fig.12

6. OPERATION

6.1. SWITCHING ON AND OFF

- **WARNING!** Ensure that the saw table is clear of debris and tools before operating the saw.
- 6.1.1. Connect the machine to the electric supply.
- 6.1.2. Switch on by means of the "On" (I) switch (fig.13.63) and allow to run up to speed before use.
- 6.1.3. Switch off by pressing the "Off" (O) switch (fig.13.64). This stands proud of the switch casing for emergency use.
- 6.1.4. The saw is fitted with a no-voltage-release switch: if the electric supply fails whilst the machine is running, it will not restart until the "On" switch is pressed.
- 6.1.5. The saw is fitted with an overload circuit breaker. Should this trip, wait until the motor has cooled down and press the reset button (fig.13.9) to reset the circuit breaker.

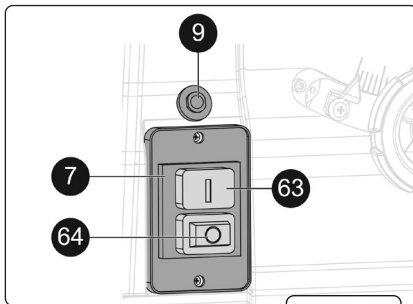


fig.13

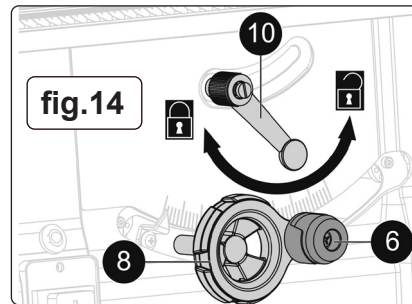


fig.14

6.2. BLADE ADJUSTMENT

- 6.2.1. To adjust the depth of cut, wind the blade height adjustment (fig.14.6) anticlockwise to increase and vice-versa.
- 6.2.2. To adjust the blade angle, wind the blade up fully as in 6.2.1. and loosen the bevel lock (fig.14.10) and adjust the angle by turning the bevel adjustment (fig.14.8). The angle set can be read from the bevel scale (fig.14).
- 6.2.3. When the required angle has been set, tighten the bevel lock (fig.14.10).

6.3. MAKING LONGITUDINAL CUTS

- IMPORTANT:** After each new adjustment it is advisable to carry out a trial cut in order to check the set dimensions. After switching on the saw, wait for the blade to reach its maximum speed of rotation before commencing a cut. Take extra care when starting a cut.
- 6.3.1. Longitudinal cuts involve cutting through a workpiece along its full length.
 - 6.3.2. One edge of the workpiece is pressed against the rip fence (fig.10) while its flat side rests on the table top.
 - 6.3.3. The saw blade guard (section 5.5) must always be in place and be adjusted to cover the workpiece.
 - 6.3.4. When making longitudinal cuts, always stand to one side of the cutting line.
 - 6.3.5. Set the rip fence to suit the required width using the front rail (rip fence rule) (fig.10) at the front of the table.
 - 6.3.6. Switch on the saw.
 - 6.3.7. With fingers together, place hands flat on the workpiece and push it along the fence into the saw blade.
 - 6.3.8. Guide the workpiece at the side with your left hand only as far as the front edge of the guard hood.
 - 6.3.9. Always push the workpiece through to the end of the riving knife.
 - 6.3.10. Leave the offcuts on the saw table until the saw blade has stopped.
 - 6.3.11. Secure a long workpiece against sagging at the end of cutting by using a roller stand such as Sealey part no: RS5 or similar.
 - 6.3.12. Use the push stick for guiding the workpiece if hand gets to within 125mm of the saw blade.

6.4. CUTTING A NARROW WORKPIECE

- 6.4.1. Longitudinal cuts in a workpiece smaller than 125mm width must always be made with the help of the push stick.
- 6.4.2. Longitudinal cuts in an extremely narrow workpiece with a width of 30mm or less must always be made with the help of a push block. A push block can be made from an offcut piece of wood.

6.5. MAKING BEVEL CUTS

- 6.5.1. Always use the fence when cutting bevels.
- 6.5.2. Set the saw blade to the required angle using Bevel locking handle (section 6.2) and Bevel adjusting handwheel (section 6.2).
- 6.5.3. Set the fence to suit the width of the workpiece.
- 6.5.4. Carry out the cut in accordance with the workpiece width.
- 6.5.5. Use the push stick for guiding the workpiece if hand gets to within 125mm of the saw blade.

6.6. USING THE MITRE GAUGE AND MAKING CROSS CUTS

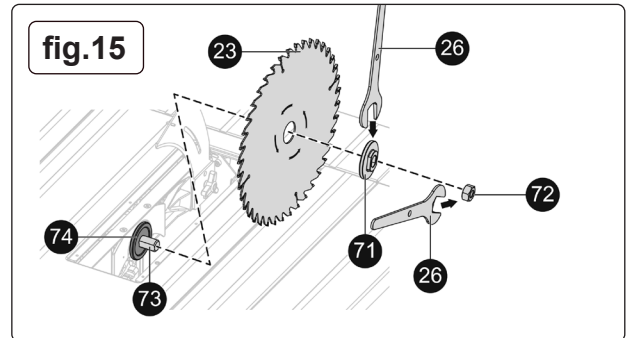
- 6.6.1. Slide the mitre gauge (fig.1.12) into one of the two slots on the saw table top.

- 6.6.2. Slacken the knurled knob on the mitre gauge, adjust mitre gauge until the arrow points to the required angle, tighten the knurled knob.
- 6.6.3. Press the workpiece firmly against the mitre gauge and switch on the saw.
- 6.6.4. Push the mitre gauge and the workpiece together towards the saw blade in order to make the cut.
IMPORTANT: Always hold the guided part of the workpiece. Never hold the part of the workpiece that will become the off-cut.
- 6.6.5. Always push the mitre gauge far enough forward for the workpiece to be cut through completely.
- 6.6.6. Switch the saw off and wait for the saw blade to stop before removing any off-cuts.
NOTE: when making compound cuts (combination of both bevel and cross cut) - use the lower slot for the mitre gauge which prevents hands and the mitre gauge coming into contact with the saw blade.
IMPORTANT: DO NOT push the rip fence too far towards the saw blade. The minimum distance between the rip fence and the saw blade should be 20mm.

7. MAINTENANCE

7.1. BLADE CHANGING

- WARNING!** Wear protective gloves to change the blade.
- WARNING!** Ensure that the saw is isolated from the electric supply.
- 7.1.1. Remove the blade guard (fig.1.14) and table insert (fig.7.17, Section 5.3).
- 7.1.2. Raise the blade to its maximum height (Section 6.2).
- 7.1.3. Tilt blade to 45° (Section 6.2).
- 7.1.4. Using spanners provided (fig.15.26), hold the spindle (fig.15.73) while releasing the arbor nut and flange (fig.15.71, fig.15.72).
- 7.1.5. Remove the blade and replace with the new blade, making sure that the arrow on the blade corresponds to the direction of the motor rotation.
- 7.1.6. Replace with the new blade, placing the flange on the spindle.
- 7.1.7. Ensure that both flanges are in uniform contact with the blade and secure the arbor nut whilst holding the spindle still.



7.2. CLEANING

- 7.2.1. Clean the saw regularly to remove dirt, dust and chippings using a soft brush and cloth. Wear safety glasses whilst brushing away dust and dirt. Keep the air vents unclogged and clean at all times.
- 7.2.2. Clean plastic components with water and a mild detergent, never use caustic or abrasive cleaners. Water must never come into contact with the saw or electrical components.
- 7.3. Lubricate all moving parts at regular intervals.
- 7.4. Regularly check that all the fixing screws are tight. They may vibrate loose over time.
- 7.5. Only an authorised service centre should carry out other repairs.

8. TROUBLESHOOTING

Problem	Possible cause	Solution
Motor not running.	<ol style="list-style-type: none"> 1. No mains voltage. 2. Undervoltage relay triggered by temporary loss of power. 3. Motor overheated. 	<ol style="list-style-type: none"> 1. Check cable, plug, socket and fuse. 2. Switch device on again. 3. Eliminate cause of the overheating, let cool down for a few minutes,
Blade makes poor cuts.	<ol style="list-style-type: none"> 1. Blade is dull or dirty. 2. Blade is the wrong type for cut being made. 3. Blade is mounted backwards. 	<ol style="list-style-type: none"> 1. Clean, sharpen or replace the blade. 2. Replace with the proper type. 3. Remount the blade.
Excess vibration.	<ol style="list-style-type: none"> 1. Blade is out of balance. 2. Blade is damaged. 3. Saw is not mounted securely. 4. Work surface is uneven. 5. Blade is warped. 	<ol style="list-style-type: none"> 1. Replace blade. 2. Replace blade. 3. Tighten all hardware. 4. Reposition on flat surface. 5. Replace blade.
Bevel adjusting Handwheel is hard to turn.	<ol style="list-style-type: none"> 1. Gear and screw post inside the cabinet are clogged with sawdust. 	<ol style="list-style-type: none"> 1. Clean the gear and screw post.
The work piece is Touching the back of the saw blade and is jumping out.	<ol style="list-style-type: none"> 1. The fence is not being used. 2. The saw blade is thicker than the riving knife or the riving knife is not being used. 3. The blade is dull. 4. The work piece has not been kept in its place until after sawing. 5. Mitre gauge locking handle is loosen. 	<ol style="list-style-type: none"> 1. Use the fence. 2. Replace blade or mount the riving knife. 3. Replace blade. 4. Keep the work piece in place until finishing the sawing. 5. Tighten the mitre gauge locking handle.
Saw does not make accurate 90° or 45° cuts.	<ol style="list-style-type: none"> 1. Positive stops inside the cabinet need adjusting (Bevel cuts). 	<ol style="list-style-type: none"> 1. Adjust the positive stops.



WEEE REGULATIONS

Dispose of this product at the end of its working life in compliance with the EU Directive on Waste Electrical and Electronic Equipment (WEEE). When the product is no longer required, it must be disposed of in an environmentally protective way.

Contact your local solid waste authority for recycling information.



REGISTER YOUR PURCHASE HERE



ENVIRONMENT PROTECTION

Recycle unwanted materials instead of disposing of them as waste. All tools, accessories and packaging should be sorted, taken to a recycling centre and disposed of in a manner which is compatible with the environment. When the product becomes completely unserviceable and requires disposal, drain any fluids (if applicable) into approved containers and dispose of the product and fluids according to local regulations.

Note: It is our policy to continually improve products and as such we reserve the right to alter data, specifications and component parts without prior notice. Please note that other versions of this product are available. If you require documentation for alternative versions, please email or call our technical team on technical@sealey.co.uk or 01284 757505.

Important: No Liability is accepted for incorrect use of this product.

Warranty: Guarantee is 12 months from purchase date, proof of which is required for any claim.

Sealey Group, Kempson Way, Suffolk Business Park, Bury St Edmunds, Suffolk. IP32 7AR



01284 757500



sales@sealey.co.uk



www.sealey.co.uk