



VICE/BENCH MOUNTING SHEET METAL FOLDER 700MM

MODEL NO: **TS01.V2**

Thank you for purchasing a Sealey product. Manufactured to a high standard, this product will, if used according to these instructions, and properly maintained, give you years of trouble free performance.

IMPORTANT: PLEASE READ THESE INSTRUCTIONS CAREFULLY. NOTE THE SAFE OPERATIONAL REQUIREMENTS, WARNINGS & CAUTIONS. USE THE PRODUCT CORRECTLY AND WITH CARE FOR THE PURPOSE FOR WHICH IT IS INTENDED. FAILURE TO DO SO MAY CAUSE DAMAGE AND/OR PERSONAL INJURY AND WILL INVALIDATE THE WARRANTY. KEEP THESE INSTRUCTIONS SAFE FOR FUTURE USE.



Refer to instructions



Wear eye protection



Wear protective gloves



Wear safety footwear

1. SAFETY

- ✓ Wear approved safety goggles, gloves, and footwear, when operating the folder. Your local Sealey dealer offers a complete range of safety equipment.
- ✓ Use the tool only for its intended purpose.
- ✓ Regularly check all parts of the folder for damaged parts. **DO NOT** use if any of its components are broken, worn or damaged.
- ✓ Use original Sealey spare parts and accessories. Use of non-recommended spare parts may be dangerous and will invalidate warranty.
- ✓ Ensure good footing, wear non slip footwear.
- ✗ **DO NOT** operate this tool while under the influence of drugs, alcohol or other impairing medication.
- ✗ **DO NOT** Allow unqualified persons to operate the metal folder. Keep children away from the tool.

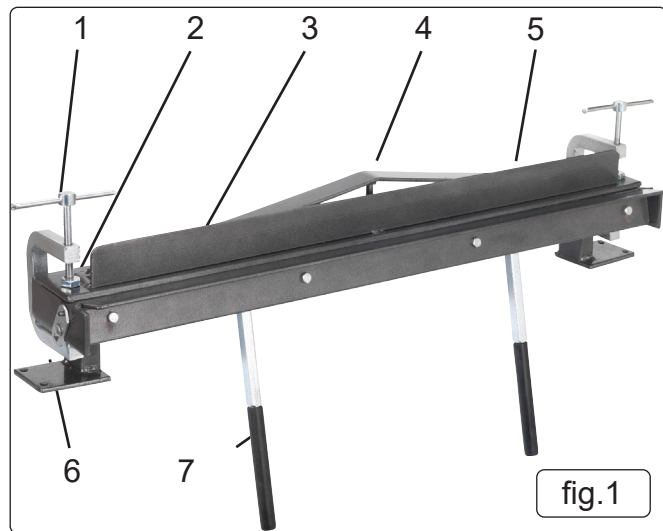
2. INTRODUCTION

Bench and vice mounting sheet metal folder, fitted with mounting plates. Capable of bending up to and beyond a 90° angle. The unique patented endless design and removable folding plate allows the user to fold, channel and offset any length of sheet metal up to 20 gauge thick, by simply moving the sheet as required after each fold. With adjustable fold plate to help achieve the cleanest fold possible. Ideal for the small garage or restoration operation.

3. SPECIFICATION

MODEL NO:.....**TS01.V2**
Capacity:.....700mm x 20 Gauge Sheet, Ø1mm Rod

1	Top/Base plate clamp
2	Adjustment/Positioning Cam
3	Removable Folding Plate
4	Centre adjustment nut
5	Top Plate
6	Foot plate with fixing holes
7	Folding Handles



4. OPERATION

- 4.1. Unpack the unit and check that all parts are included and not damaged. Should you experience a problem contact your supplier immediately.
- 4.2. Position folder on bench where it is to be mounted, ensuring that the handles (fig.1.7) hang vertically over the front of the bench, use foot plates (fig.1.6) as templates to drill holes in bench, use appropriate fixings. Or clamp folder in vice .
- 4.3. By using centre adjustment nut (fig.1.4) ensure top and base plate are parallel, this may require adjustment from time to time.
- 4.4. Release clamps (fig.1.1) at either end of folder so that as small test piece of sheet metal can be inserted between the top and base plates. (fig.1.3)
- 4.5. Position the test piece, adjust the top plate by use of clamps (fig.1.1) lightly tighten, use a spanner to adjust cam (fig.1.2), so that base and top plate are aligned.
- 4.6. Ensure that there is even pressure on both ends.
- 4.7. Raise the top folding plate (fig.1.3) by lifting handles to create the fold. From this test, you will be able to determine how and where the fold appears.
- 4.8. When satisfied with the test results, proceed with the actual workpiece.
- 4.9. By rotating the end clamps through the vertical axis, longer lengths of metal sheet can be folded, i.e. fold a section, unclamp, move sheet, reclamp, fold second section etc.



ENVIRONMENT PROTECTION

Recycle unwanted materials instead of disposing of them as waste. All tools, accessories and packaging should be sorted, taken to a recycling centre and disposed of in a manner which is compatible with the environment. When the product becomes completely unserviceable and requires disposal, drain any fluids (if applicable) into approved containers and dispose of the product and fluids according to local regulations.



Note: It is our policy to continually improve products and as such we reserve the right to alter data, specifications and component parts without prior notice. Please note that other versions of this product are available. If you require documentation for alternative versions, please email or call our technical team on technical@sealey.co.uk or 01284 757505.

Important: No Liability is accepted for incorrect use of this product.

Warranty: Guarantee is 12 months from purchase date, proof of which is required for any claim.

Sealey Group, Kempson Way, Suffolk Business Park, Bury St Edmunds, Suffolk. IP32 7AR



01284 757500



sales@sealey.co.uk



www.sealey.co.uk