



# SELF-PRIMING PISTON PUMP

MODEL NO: TP89

Thank you for purchasing a Sealey product. Manufactured to a high standard, this product will, if used according to these instructions, and properly maintained, give you years of trouble free performance.

**IMPORTANT:** PLEASE READ THESE INSTRUCTIONS CAREFULLY. NOTE THE SAFE OPERATIONAL REQUIREMENTS, WARNINGS & CAUTIONS. USE THE PRODUCT CORRECTLY AND WITH CARE FOR THE PURPOSE FOR WHICH IT IS INTENDED. FAILURE TO DO SO MAY CAUSE DAMAGE AND/OR PERSONAL INJURY AND WILL INVALIDATE THE WARRANTY. KEEP THESE INSTRUCTIONS SAFE FOR FUTURE USE.



Refer to instructions



Wear eye protection



Wear protective gloves

## 1. SAFETY

- ❑ **WARNING! DO NOT** operate using flammable liquids in a confined space, the area should have adequate ventilation.
- ✓ If pumping flammable liquids, avoid proximity to naked flames or welding operations.
- ✓ Wear appropriate protective clothing when pumping solvents. We recommend eye/face and hand protection, available from your authorised Sealey stockist.
- ✓ Ensure Health & Safety, local authority, and general workshop practice regulations are adhered to when using this equipment.
- ✓ Ensure any spillages are dealt with immediately. Failure to do so could lead to injury.
- ✓ Keep children away from areas where solvents are being used.

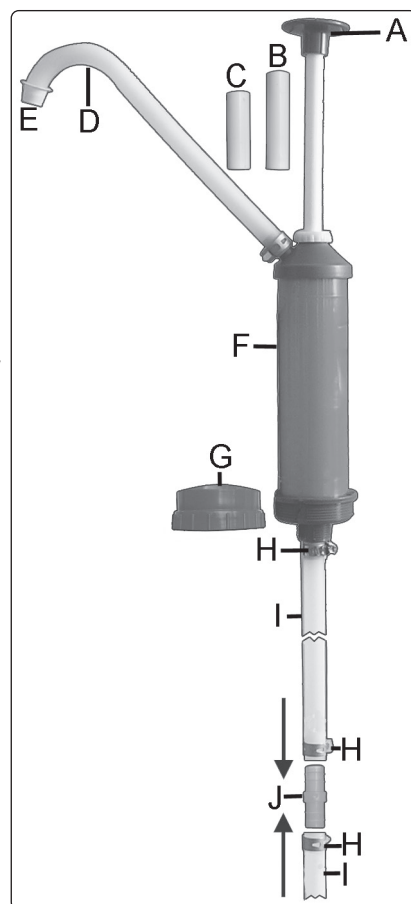
## 2. INTRODUCTION

Self-priming, piston pump fitted with anti-drip nozzle and 2" BSP adaptor and dip tube. Suitable for oils, antifreeze, degreasants and other non-corrosive fluids. Unit will deliver 200ml per stroke but by using the two sleeves supplied, delivery can be limited to 40, 80 or 140ml per stroke. Will fit most containers and drums from 25-205L.

## 3. OPERATION & ASSEMBLY

- 3.1. Attach the extension tubes together with the connector 'J' and secure with hose clips 'H'.
- 3.2. Attach extension tubes to main pump and secure.
- 3.3. When fitting to 3/4" diameter inlet, unscrew and remove the 2" adaptor 'G', when using a 2" inlet replace the adaptor.
- 3.4. Screw the pump onto the drum/container.
- 3.4. The pump stroke can be set at 40, 80, 140 or 200ml per stroke using the sleeves provided 'B/C'. Unscrew the handle 'A' and slide the sleeves over the shaft, replace the handle.

Sleeve Combination	Per Stroke
No Sleeve	200ml
Small Sleeve (C)	140ml
Long Sleeve (B)	80ml
Both long and short sleeve	40ml



### ENVIRONMENT PROTECTION

Recycle unwanted materials instead of disposing of them as waste. All tools, accessories and packaging should be sorted, taken to a recycling centre and disposed of in a manner which is compatible with the environment. When the product becomes completely unserviceable and requires disposal, drain any fluids (if applicable) into approved containers and dispose of the product and fluids according to local regulations.

**Note:** It is our policy to continually improve products and as such we reserve the right to alter data, specifications and component parts without prior notice.

**Important:** No Liability is accepted for incorrect use of this product.

**Warranty:** Guarantee is 12 months from purchase date, proof of which is required for any claim.

Sealey Group, Kempson Way, Suffolk Business Park, Bury St Edmunds, Suffolk. IP32 7AR



01284 757500



01284 703534



sales@sealey.co.uk



www.sealey.co.uk