

Thank you for purchasing a Sealey product. Manufactured to a high standard this product will give you years of trouble free performance if these instructions are carefully followed and the product is correctly maintained.



IMPORTANT: PLEASE READ THESE INSTRUCTIONS CAREFULLY. NOTE THE SAFE OPERATIONAL REQUIREMENTS, WARNINGS AND CAUTIONS. USE THIS PRODUCT CORRECTLY AND WITH CARE FOR THE PURPOSE FOR WHICH IT IS INTENDED. FAILURE TO DO SO MAY CAUSE DAMAGE AND/OR PERSONAL INJURY AND WILL INVALIDATE THE WARRANTY. PLEASE RETAIN THESE INSTRUCTIONS FOR FUTURE USE.

1. SAFETY INSTRUCTIONS

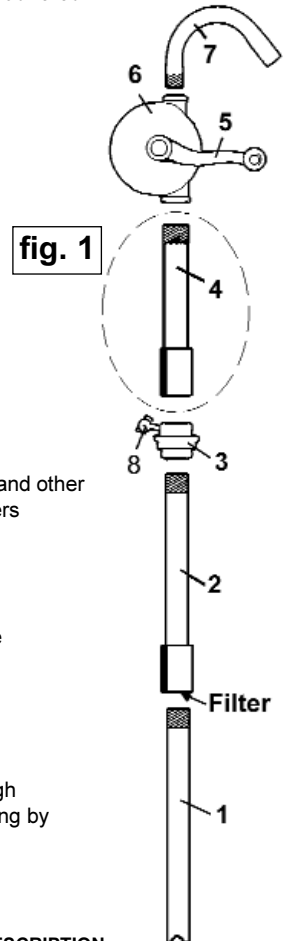
- ❑ **WARNING!** Ensure all Health and Safety, local authority and general workshop practice regulations are strictly adhered to when using this equipment.
- ✓ Familiarise yourself with the applications, limitations and potential hazards of this product.
- ✓ Maintain the pump in good condition (use an authorised service agent).
- ✓ Replace or repair damaged parts. Use genuine parts only. Unauthorised parts will invalidate the warranty.
- ✓ Use only with oils, anti-freeze, degreasants and other NON-corrosive fluids.
- ✓ Ensure safety eye protection and protective clothing are worn when using this product.
- ✓ Keep the work area clean and uncluttered and ensure that there is adequate lighting.
- ✓ Maintain correct balance and footing. Ensure the floor is not slippery and wear non-slip shoes.
- ✓ Keep children and unauthorised persons away from the work area.
- ✓ Dispose of waste liquids in accordance with local authority regulations.
- x **DO NOT** use the pump to transfer hazardous or harmful chemicals, solvents, petrol or acids.
- x **DO NOT** use the pump with water.
- x **DO NOT** use the pump for any purpose other than for which it is designed.
- x **DO NOT** attempt to move the fluid drum by pulling on the pump.
- ✓ Keep the pump clean and well oiled and store in a safe, dry location when not in use.

2. APPLICATION

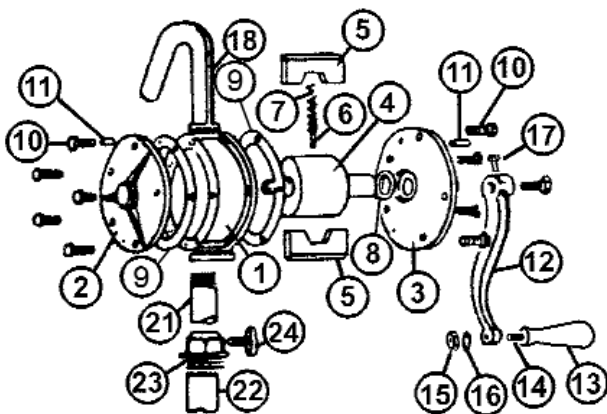
TP55C has a cast steel body with machined bore and rotor. The pump is suitable for oils, anti-freeze, degreasants and other non-corrosive fluids. It is supplied with a 2" BSP adaptor and is suitable for use on 210 litre drums. The unit delivers approximately 30 litres per minute.

3. ASSEMBLY

- 3.1. Check the depth of the drum from which fluid is to be extracted.
- 3.2. Assemble suction tubes (1) and (2-with filter inside) as in fig. 1. Depending on the depth of the drum, assemble optional extension tube (4).
- 3.3. Pass drum connecting ring (3) over tube (2), (or 4 if used).
- 3.4. Connect tube (2), (or 4 if used) to pump head (6).
- 3.5. Connect outlet tube (7) to the pump head (6).
- 3.6. Assemble handle (5) onto pump head (6).
- 3.7. Pass suction tube (1) down into the drum of fluid. If the tube touches the bottom fluid may still pass through cut-outs at bottom of tube. Screw drum connecting ring (3) to the drum outlet and secure suction tube to ring by tightening thumb screw (8).



4. PARTS LIST



ITEM	PART NO.	DESCRIPTION
1	TP55C/01	MAIN CASING
2	TP55C/02	END FLANGE CASING
3	TP55C/03	SHAFT FLANGE CASING
4	TP55C/04	ROTOR
5	TP55C/05	IMPELLERS (2)
6	TP55C/06	IMPELLER PINS
7	TP55C/07	IMPELLER PIN SPRINGS
8	TP55C/08	SHAFT SEAL
9	TP55C/09	FLANGE GASKETS (2)
10	TP55C/10	FLANGE BOLTS (10)
11	TP55C/11	FLANGE PINS (4)
12	TP55C/12	CRANK
13	TP55C/13	HANDLE
14	TP55C/14	HANDLE SHAFT
15	TP55C/15	HANDLE NUT
16	TP55C/16	HANDLE WASHER
17	TP55C/17	CRANK-TO-SHAFT BOLT
18	TP55C/18	OUTLET SPOUT
21	TP55C/21	RISER TUBES (2)
22	TP55C/22	BOTTOM RISER TUBE
23	TP55C/23	BUNG ADAPTOR
24	TP55C/24	BUNG ADAPTOR SCREW

Version No: 2
Issue Date: 031105

NOTE: It is our policy to continually improve products and as such we reserve the right to alter data, specifications and component parts without prior notice.

IMPORTANT: No liability is accepted for incorrect use of product.

WARRANTY: Guarantee is 12 months from purchase date, proof of which will be required for any claim.

INFORMATION: For a copy of our latest catalogue and promotions call us on 01284 757525 and leave your full name and address, including postcode.

