

Thank you for purchasing a Sealey product. Manufactured to a high standard this product will, if used according to these instructions and properly maintained, give you years of trouble free performance.



**IMPORTANT: PLEASE READ THESE INSTRUCTIONS CAREFULLY. NOTE THE SAFE OPERATIONAL REQUIREMENTS, WARNINGS & CAUTIONS. USE THE PRODUCT CORRECTLY AND WITH CARE FOR THE PURPOSE FOR WHICH IT IS INTENDED. FAILURE TO DO SO MAY CAUSE DAMAGE OR PERSONAL INJURY, AND WILL INVALIDATE THE WARRANTY. PLEASE KEEP INSTRUCTIONS SAFE FOR FUTURE USE.**

### 1. SAFETY INSTRUCTIONS

- ❑ **WARNING! Ensure Government and local authority regulations are adhered to when using this equipment for the transfer of fuel.**
- ✓ Keep the nozzle clean and in good condition.
- ✓ Replace a damaged nozzle.
- ✓ Before removing the old nozzle ensure pump is turned off and that the work area is clean, uncluttered and has adequate lighting.
- ✓ If you decide to remove the "Lock On" latch, wear approved safety glasses and protect your face and other exposed body parts. We also recommend the use of safety gloves.
- ✓ When fitting nozzle, remove ill fitting clothing. Remove ties, watches, rings, and other loose jewellery, and contain and/ or tie back long hair.
- ✓ Keep all non essential persons away from the working area.
- ✓ Check fitting before use. When the pump is turned on check that there are no leaks before operating the nozzle.
- ✓ Avoid unintentional starting of the pump or trigger, and ensure nozzle is correctly inserted into the delivery hole before operating the trigger
- ✓ A minimum delivery flow of 5 gallons per minute is required to activate the automatic shut off mechanism.
- ✗ DO NOT use the nozzle for a task it was not designed to perform.
- ✗ DO NOT operate the nozzle if any parts are damaged or missing as this may cause failure or possible personal injury.
- ✗ DO NOT leave the nozzle operating whilst unattended.
- ✗ DO NOT direct the nozzle at yourself or others.
- ✓ When fuel transfer has been completed place nozzle back into its correct housing.

### 2. INSTALLATION

Before installing the hose decide if you wish to remove the "Lock On" latch from the nozzle trigger (fig 1.A )

#### 2.1. TO REMOVE THE LOCKING LATCH.

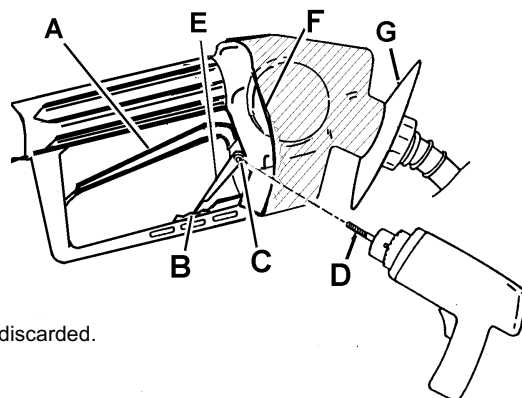
1. Place the nozzle in a soft locking jaw to hold the nozzle steady.
2. Pull trigger (A) and position latch (E) against lock plate (B) so the latch is in the "Lock On" position, to prevent the rivet from rotating when drilling.
3. Very gently slip the plastic sleeve (F) back so that the drill will not touch it.
4. Protect your eyes, face and exposed body parts before drilling. We also recommend use of safety gloves.
5. Use a 1/4" drill bit (D) to drill off rivetted end of the latch (C).
6. Push the latch rivet out of the latch. The latch clip, rivet and leaf spring may be discarded.
7. DO NOT remove the latch plate (B).

#### 2.2. INSTALLING THE NOZZLE.

Ensure the pump is turned off, then remove old nozzle.

1. Apply a sealant thinly to hose thread, (i.e. PTE tape).
2. Screw the hose into the new nozzle and tighten by using a wrench on the hose nut only, (do not overtighten).
3. Place the splash guard in location (G).
4. The new nozzle is now ready for use.

fig 1.



### 3. OPERATING THE NOZZLE

- ❑ **WARNING! Ensure Government and local authority regulations are adhered to when using this equipment for the transfer of fuel.**

Place the nozzle spout fully in the receptacle fuel tank and turn the pump on and pull the nozzle trigger (E) to allow the fuel to flow. The nozzle trigger will automatically shut off the supply when the fuel level covers the small vent hole on the underside of the nozzle spout.

**NOTE:** The pump must deliver a minimum of 5 gallons per minute for the automatic shut off to activate.

When you have completed fuel delivery release the trigger and remove the nozzle from the receptacle.

Place the nozzle into its housing and if necessary turn the pump off.

The nozzle does not require any maintenance, but should be kept clean for optimum use.

**NOTE:** It is our policy to continually improve products and as such we reserve the right to alter data, specifications and component parts without prior notice.

**IMPORTANT:** No liability is accepted for incorrect use of this product. **WARRANTY:** Guarantee is 12 months from purchase date, proof of which will be required for any claim. **INFORMATION:** Call on 01284 757525 for a copy of our catalogue. Leave your full name, address & postcode.

