



TYRE SPREADER WITH STAND - MANUAL

MODEL NO:TC970

Thank you for purchasing a Sealey product. Manufactured to a high standard, this product will, if used according to these instructions, and properly maintained, give you years of trouble free performance.

IMPORTANT: PLEASE READ THESE INSTRUCTIONS CAREFULLY. NOTE THE SAFE OPERATIONAL REQUIREMENTS, WARNINGS & CAUTIONS. USE THE PRODUCT CORRECTLY AND WITH CARE FOR THE PURPOSE FOR WHICH IT IS INTENDED. FAILURE TO DO SO MAY CAUSE DAMAGE AND/OR PERSONAL INJURY AND WILL INVALIDATE THE WARRANTY. KEEP THESE INSTRUCTIONS SAFE FOR FUTURE USE.



Refer to instruction manual



Wear eye protection



Wear protective gloves

1. SAFETY

- WARNING! Ensure Health & Safety, local authority and general workshop practice regulations are adhered to when using this equipment.**
- WARNING! DO NOT operate the tilt pedal at any time, without first taking hold of the roller platform or a tyre that is secured to it.**
 - ✓ Familiarise yourself with the applications, limitations and the potential hazards of the tyre spreader.
 - ✓ Maintain the tyre spreader in good condition (use an authorised service agent).
 - ✓ Replace or repair damaged parts. Use genuine parts only. Unauthorised parts may be dangerous and will invalidate the warranty.
 - ✓ **WARNING!** Check regularly for damaged parts. Any part that is damaged must be repaired or replaced before the equipment is next used.
 - ✓ Locate the tyre spreader in a suitable work area and keep area clean and tidy and free from unrelated materials. Ensure that there is adequate lighting.
- WARNING! Use on a level surface, preferably concrete, to which the tyre spreader must be bolted. Keep the tyre spreader clean for best and safest performance.**
 - ✓ Wear approved safety eye protection (standard spectacles are not adequate).
 - ✓ Keep hands and feet well clear of the tyre spreader.
 - ✓ Maintain correct balance and footing. Ensure the floor is not slippery and wear non-slip shoes.
 - ✓ Remove ill fitting clothing. Remove ties, watches, rings and other loose jewellery and contain and/or tie back long hair.
 - ✓ Keep children and unauthorised persons away from the work area.
 - ✓ **DO NOT** use the tyre spreader for any purpose other than that for which it is designed.
 - ✓ **DO NOT** operate the tyre spreader if any parts are damaged or missing as this may cause failure and/or personal injury.
 - ✓ **DO NOT** allow untrained persons to operate the tyre spreader.
 - ✓ **DO NOT** stand on the tyre spreader

2. INTRODUCTION

Floor standing unit for spreading vehicle tyres before carrying out repairs. Features rollers to rotate the tyre to the correct position and fully adjustable platform. Suitable for most cars and light commercial vehicles.

3. SPECIFICATION

Model No: TC970
Height: 870mm
Base Size: 300 x 300mm
Maximum Tyre Width: 230mm (Before spreading)
Tyre Spread: 85mm
Platform Swivel: 360°
Tilt: 4 Position (Foot operated)
Maximum Tilt : 90°
Spreader Position Adjustments: 7

4. ASSEMBLY

For assembly refer to fig.1.

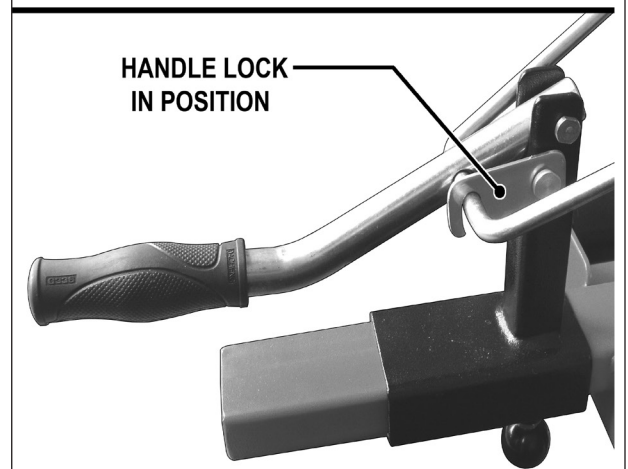
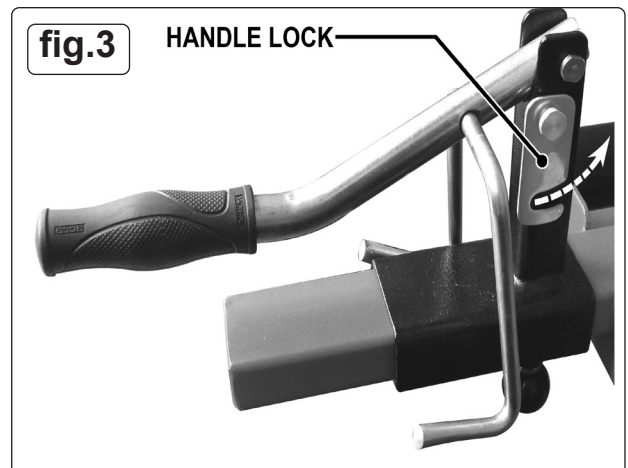
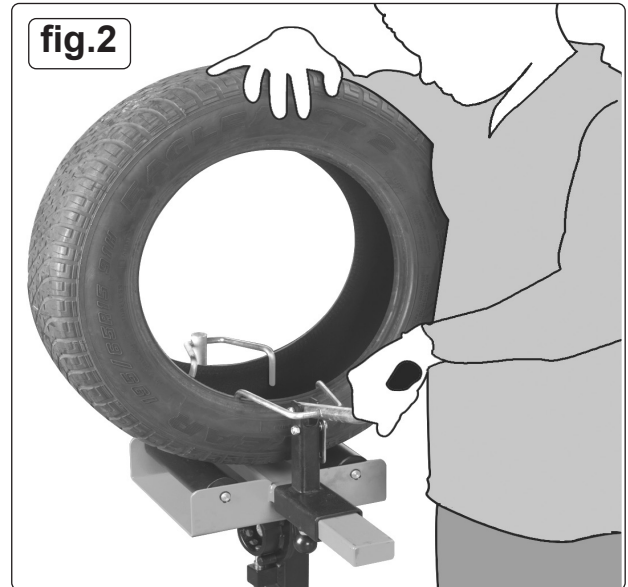
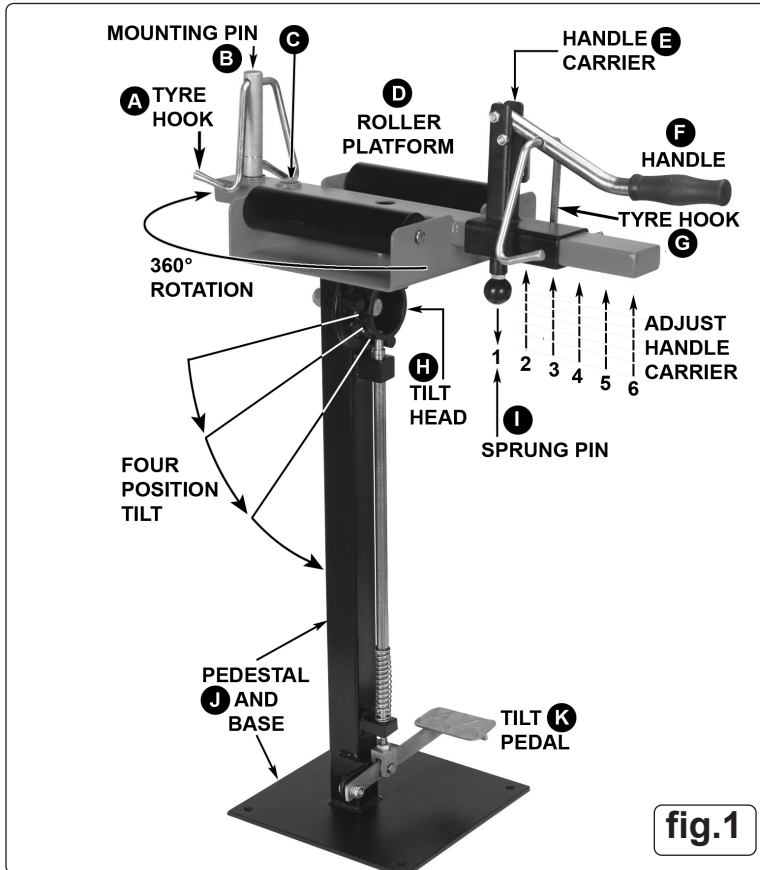
- 4.1. Attach the roller platform (D) to the tilt head (H) using an M16 x 30mm socket cap bolt, an M16 flat washer, M16 split washer and an M16 Nyloc type nut. Slide the flat washer over the hole in the centre of the platform. Drop the bolt down through the hole in the cross bar, through the washer and through the hole in the tilt head plate. From underneath, position the split washer over the bolt and screw on the nyloc nut.
- 4.2. Hold the nut steady with a 12mm hex key and tighten the bolt until it grip Back the nut off slightly to allow the platform to rotate on the tilt head.
- 4.3. Take the mounting pin (B) with Tyre Hook (A) attached and position a cir-clip in one of the top two grooves depending on the size of tyre to be worked on. Slide the mounting pin down through one of the holes in the cross bar (see B or C) and retain it underneath with another cir-clip.
- 4.4. Slide the Handle Carrier (E) onto the end of the cross bar. Pull down on the sprung pin (I) and move the carrier fully onto the cross bar.
- 4.5. Position the carrier where required and release the sprung pin to latch in one of the six positions shown below.

5. INSTALLATION

- 5.1. Position the tyre spreader in the required working area and bolt it firmly to the floor. Leave enough clearance around the unit to allow for tilting and rotating the tyre.

6. OPERATION

- ❑ **WARNING! DO NOT operate the tilt pedal at any time, without first taking hold of the roller platform or a tyre that is secured to it.**
- 6.1 Ensure the roller platform is in the horizontal position.
- 6.2 If necessary adjust the positions of the mounting pin (B) and the handle carrier (E) to suit the tyre to be worked on.
- 6.3 Place the tyre to be repaired onto the platform rollers and rotate it round until the repair area is accessible. Rotate the tyre hooks (A) and (G) over the rims of the tyre and take up the tension with the handle as shown in fig.2.



- 5.4 Push the handle over centre into the down position to stretch the tyre. On the side of the Handle Carrier upright is a locking plate. Rotate the handle locking plate around so that the slot in it drops over the tyre hook (G) to prevent the handle moving upwards. See fig.3.
- 5.5 To gain easier access to the repair area the platform can be tilted into one of four positions. See figs.1 & 4. To do this, first take firm hold of the tyre and depress the foot pedal (K). Move the tyre into the required position and release the foot pedal to allow the locking pin to snap into the nearest available locking position. Once positioned the tyre can also be rotated through 360° for further accessibility.



ENVIRONMENT PROTECTION

Recycle unwanted materials instead of disposing of them as waste. All tools, accessories and packaging should be sorted, taken to a recycling centre and disposed of in a manner which is compatible with the environment. When the product becomes completely unserviceable and requires disposal, drain any fluids (if applicable) into approved containers and dispose of the product and fluids according to local regulations.

Note: It is our policy to continually improve products and as such we reserve the right to alter data, specifications and component parts without prior notice.

Important: No Liability is accepted for incorrect use of this product.

Warranty: Guarantee is 12 months from purchase date, proof of which is required for any claim.



Sealey Group, Kempson Way, Suffolk Business Park, Bury St Edmunds, Suffolk. IP32 7AR



01284 757500



01284 703534



sales@sealey.co.uk



www.sealey.co.uk