



# MOTORCYCLE & MINI TYRE CHANGER

MODEL NO: **TC965.V2**

Thank you for purchasing a Sealey product. Manufactured to a high standard, this product will, if used according to these instructions, and properly maintained, give you years of trouble free performance.

**IMPORTANT:** PLEASE READ THESE INSTRUCTIONS CAREFULLY. NOTE THE SAFE OPERATIONAL REQUIREMENTS, WARNINGS & CAUTIONS. USE THE PRODUCT CORRECTLY AND WITH CARE FOR THE PURPOSE FOR WHICH IT IS INTENDED. FAILURE TO DO SO MAY CAUSE DAMAGE AND/OR PERSONAL INJURY AND WILL INVALIDATE THE WARRANTY. KEEP THESE INSTRUCTIONS SAFE FOR FUTURE USE.



Refer to instruction manual



Wear protective gloves



Wear eye protection

## 1. SAFETY

- WARNING!** Ensure Health & Safety, local authority, and general workshop practice regulations are adhered to when using this equipment. Under Health and Safety Law, Employers and Self Employed Personnel have a legal duty to ensure Safe Working Conditions for all employees and personnel that may come into contact with this equipment. In particular they must carry out a specific risk and hazard assessment in the workplace to eliminate or reduce any risk found and must record, update and retain records of the results of this inspection.
- ✓ Familiarise yourself with the applications, limitations and any possible or potential hazards of the tyre changer.
- ✓ Maintain the tyre changer in good condition (use an authorised service agent).
- ✓ Replace or repair damaged parts. *Use genuine parts only. Unauthorised parts may be dangerous and will invalidate the warranty.*
- WARNING!** Check regularly for damaged parts. Any part that is damaged must be repaired or replaced before the equipment is next used. Locate the tyre changer in a suitable work area, keep area clean and tidy and free from unrelated materials. Ensure that there is adequate lighting.
- WARNING! Use on a level surface, preferably concrete, to which the tyre changer must be bolted.**
- ✓ Keep the tyre changer clean for best and safest performance.
- ✓ Wear approved safety eye protection (standard spectacles are not adequate).
- ✓ Keep hands and feet well clear of the bead breaker.
- ✓ Maintain correct balance and footing. Ensure the floor is not slippery and wear non-slip safety shoes.
- ✓ Remove ill fitting clothing. Remove ties, watches, rings, and other loose jewellery and contain and/or tie back long hair.
- ✓ Keep children and unauthorised persons away from the work area.
- ✗ **DO NOT** use the tyre changer for any purpose other than that for which it is designed.
- ✗ **DO NOT** operate the tyre changer if any parts are damaged or missing as this may cause failure and/or personal injury.
- ✗ **DO NOT** allow untrained persons to operate the tyre changer.
- ✗ **DO NOT** stand on the tyre changer.
- ✗ **DO NOT** operate the tyre changer when you are tired or under the influence of alcohol, drugs or intoxicating medication.

## 2. INTRODUCTION

Manual type tyre changer suitable for a wide variety of tyres and wheels including those fitted to motorcycles, ATVs, go-karts and golf buggies. Works on bearing or hub centred wheels and is supplied with two centre posts. Includes manual bead breaker and supplied with tyre bar for mounting and de-mounting. Fast and simple operation. To prevent damage to the rims of alloy wheels, use optional Tyre Bar, Model No. TC963.

## 3. SPECIFICATION

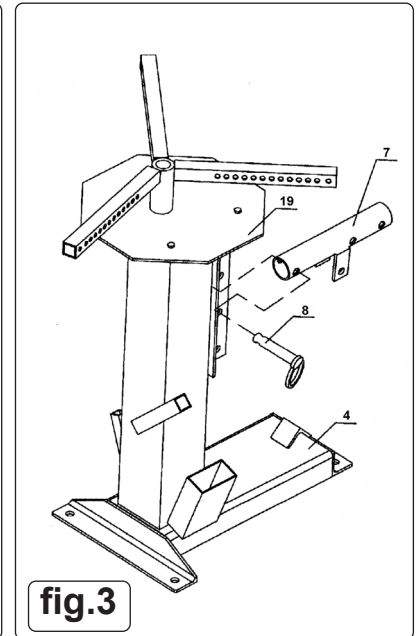
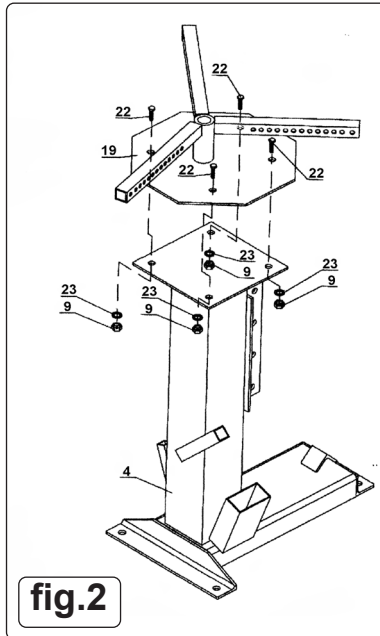
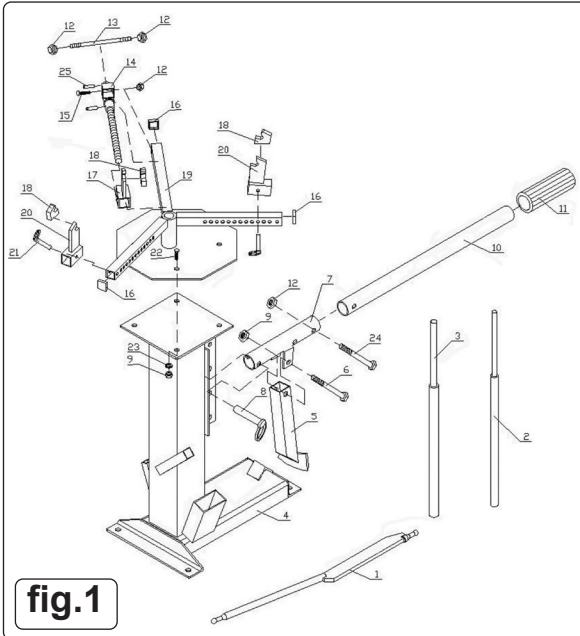
Model No: ..... TC965.V2  
 Centre Post Sizes: .....Ø12, 16, 19, 24mm  
 Optional Accessories:  
 .....TC963 - Tyre Bar for Aluminium Wheels  
 Wheel Depth Minimum/Maximum:..... 0/280mm  
 Working Diameter Minimum/Maximum:.....  
 ..... Ø102mm/Ø524mm(21")



## 4. ASSEMBLY

Refer to contents diagram fig.1 and Parts List (attached) for larger diagram and part descriptions).

- 4.1. Attach the adjusting bar (19) to the stand assembly (4), using bolts (22), washers (23) and lock nuts (9) (fig.2).
- 4.2. Attach handle socket (7) to the stand assembly using pin (8) (fig.3).
- 4.3. Attach the support (5) to the bracket on the handle socket (7) using bolt (6) and lock nut (9) (fig.4).
- 4.4. Insert the handle (10) into the socket (7) using bolt (24) and lock nut (12) (fig.5).
- 4.5. Slide the two clamps (20) on to the arms of the adjusting bar (19) and locate using lock pins (21). Attach the connector (14) to the moving set (17) and slide onto the remaining arm, secure the assembly to the arm using bolt (15) and locking nut (12). Attach shaft (13) to the end of the connector (14) using locking nuts (12).
- 4.6. Insert end caps (16) into each of the three adjusting bars (19) and fit the plastic covers (18) onto the three clamps (20).
- 4.7. Locate the tyre changer in a suitable working area, allow a minimum of 1 metre working space around the assembly and secure to the floor.



## 5. OPERATION

The **TC965** Tyre Changer is manually operated - no air supply is required. It is designed for removing/fitting tyres from/to most sizes of open-centre wheels (see Section 3 Specifications). **DO NOT** use the tyre changer for any other purpose.

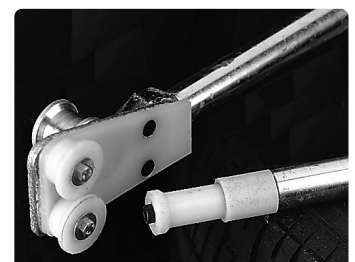
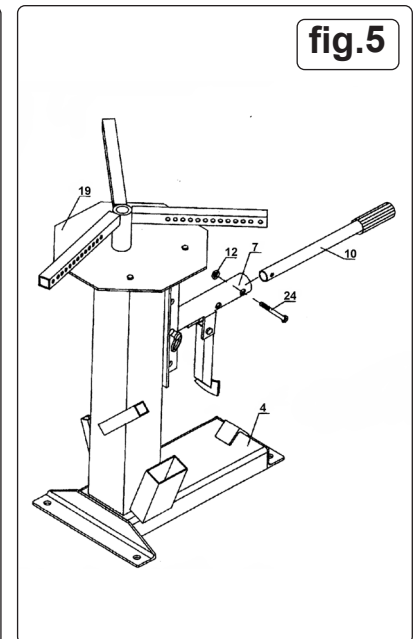
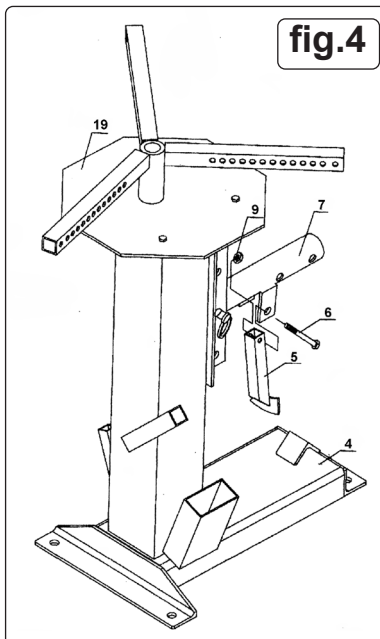
If tyres are to be changed on aluminium wheels the optional tyre bar, Sealey model no: **TC963**, must be used to prevent damage to the wheel rims (fig.6).

**IMPORTANT!** Never attempt to fit or remove a tyre without first lubricating both beads.

### 5.1. BEAD BREAKING

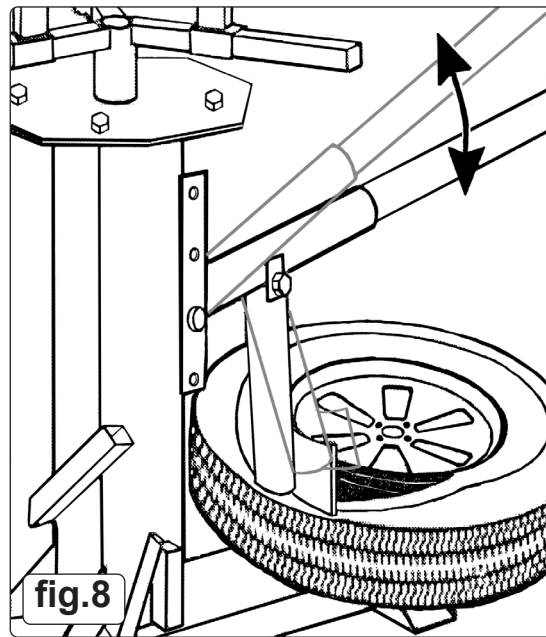
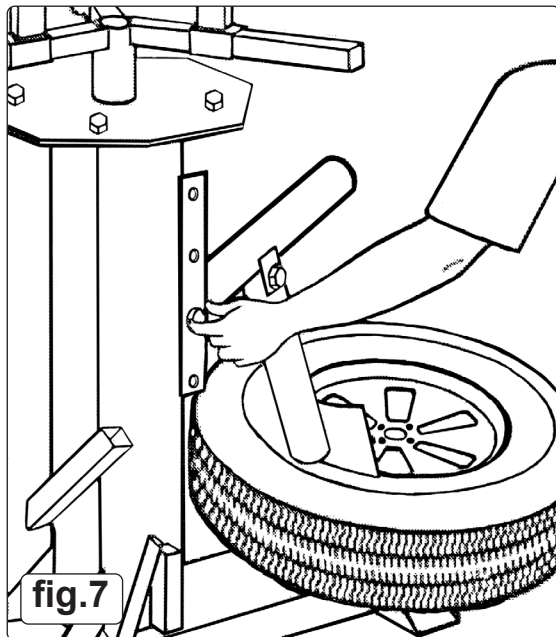
- 5.1.1. Remove the valve core to deflate the tyre and remove all balance weights.
- 5.1.2. Lift the bead breaker clear of the tyre changer foot.
- 5.1.3. Place the wheel on the foot of the tyre changer, locating the rim on the raised bar on the foot.
- 5.1.4. Set the bead breaker arm at the appropriate height for the wheel and position the bead breaker shoe under the rim flange (fig.7).
- 5.1.5. Pull down firmly on the bar and repeat around the rim until the bead is free (fig.8).
- 5.1.6. Turn wheel over and repeat to free the other bead.

**NOTE:** When bead breaking on TD or TDX wheels the wheel **must be horizontal**. Locate the rim on the foot of the tyre changer and support the opposite side of the wheel with a suitable piece of timber.



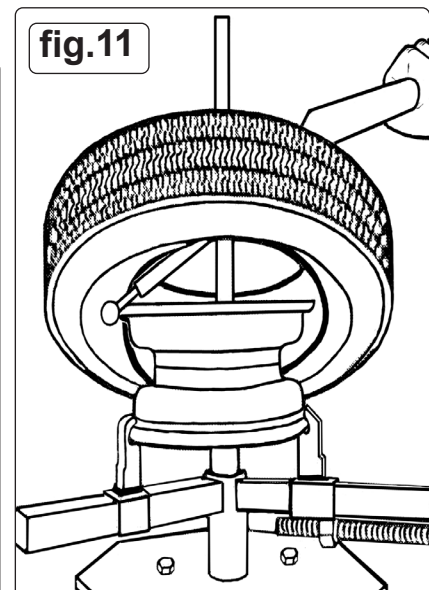
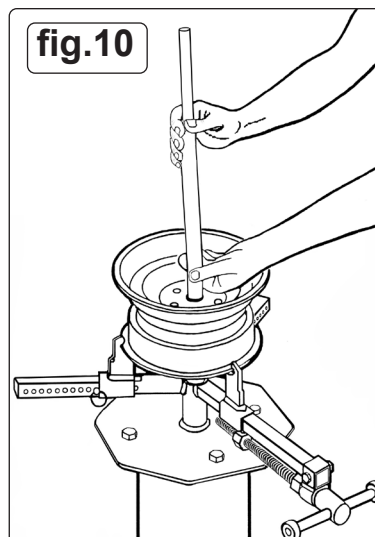
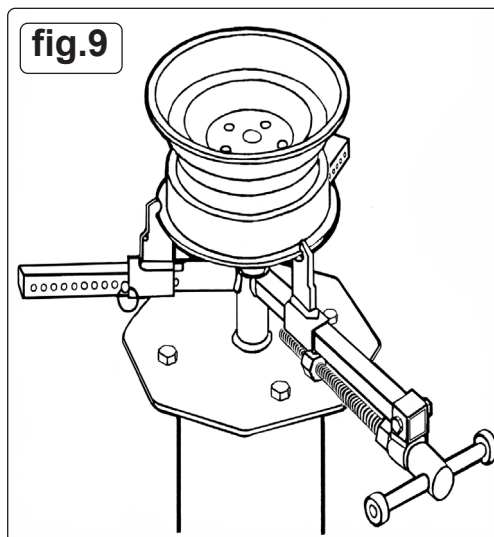
**fig.6**

## 5.2. TYRE REMOVAL

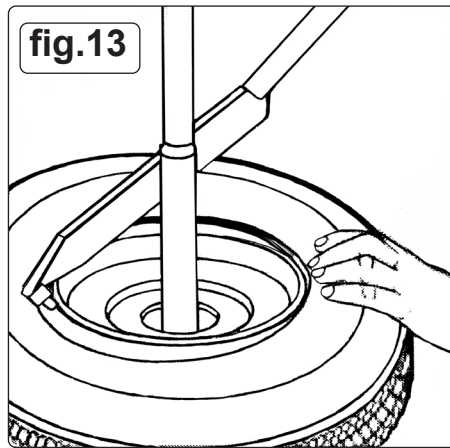
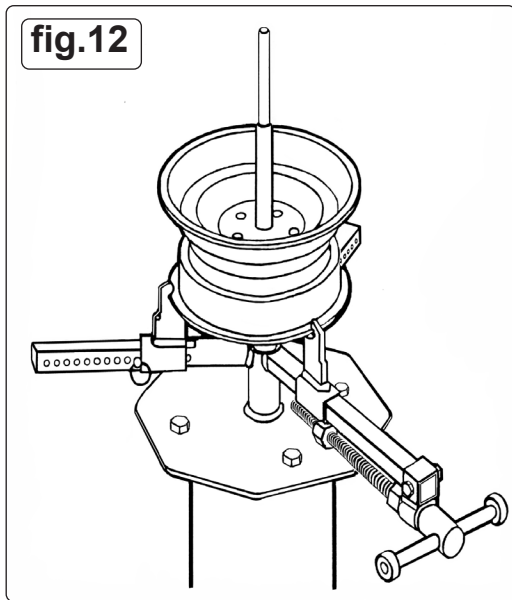


- 5.2.1. Lubricate both tyre beads with an approved rubber lubricant.
- 5.2.2. Place the wheel centrally onto the stand with the narrow bead seat uppermost, slide the two rim clamping jaws, so that they locate on the rim of the wheel and insert 8mm locking pins. Use the crank arm to wind in the adjustable jaw until the wheel is securely fixed.  
**NOTE: The tyre may require lifting slightly to locate the jaws on the rim, take care not to trap the tyre in the jaws.**  
**NOTE: Figs 9 & 10 shown without tyre to demonstrate the clamping mechanism.**
- 5.2.3. Insert the appropriate centre post through the centre of the wheel into the tyre changer (fig.10).  
**NOTE: When changing tyres on bearing centre wheels use the centre post which matches the bearing size of the wheel.**  
**For hub-centre wheels the large centre post is used.**
- 5.2.4. Insert the ball end of the tyre bar beneath the top bead and press the opposite side of the bead down into the wheel well with the tyre bar against the centre post rotate the tool full circle (fig.11) until the bead is lifted above the rim. Remove inner tube (if fitted).
- 5.2.5. Lift the tyre up and repeat the procedure for the lower bead (fig.11).

## 5.3. TYRE FITTING



- 5.3.1. Lubricate both tyre beads with an approved rubber lubricant.
- 5.3.2. Mount and lock the wheel to the stand as shown in fig.12.
- 5.3.3. Place the lower bead of the tyre over the wheel rim and using the flat-end of the tyre bar place the ball end between the bead and the rim with the flat side of the tyre bar against the centre post rotate the tool full circle (fig.13).
- 5.3.4. Fit a tube if appropriate and then seat the upper bead in the same manner.
- 5.3.5. Refit valve core, remove wheel from the tyre changer and inflate to seat the beads. Adjust the tyre pressure to manufacturers specifications.  
**NOTE: If the tyre has been fitted with an inner tube take care not to trap the tube between the tyre and the wheel rim when bead seating.**



## 6. MAINTENANCE

- 6.1. Every month lubricate the threaded bar with grease.
- 6.2. Keep the tyre changer clean, use water and a mild detergent.
- 6.3. Check the tyre changer and components for damage or wear and replace parts if damaged.



### ENVIRONMENT PROTECTION

Recycle unwanted materials instead of disposing of them as waste. All tools, accessories and packaging should be sorted, taken to a recycling centre and disposed of in a manner which is compatible with the environment. When the product becomes completely unserviceable and requires disposal, drain any fluids (if applicable) into approved containers and dispose of the product and fluids according to local regulations.

**Note:** It is our policy to continually improve products and as such we reserve the right to alter data, specifications and component parts without prior notice. Please note that other versions of this product are available. If you require documentation for alternative versions, please email or call our technical team on [technical@sealey.co.uk](mailto:technical@sealey.co.uk) or 01284 757505.

**Important:** No Liability is accepted for incorrect use of this product.

**Warranty:** Guarantee is 12 months from purchase date, proof of which is required for any claim.

Sealey Group, Kempson Way, Suffolk Business Park, Bury St Edmunds, Suffolk. IP32 7AR



01284 757500



01284 703534



[sales@sealey.co.uk](mailto:sales@sealey.co.uk)



[www.sealey.co.uk](http://www.sealey.co.uk)