



INSTRUCTIONS FOR: TILE CUTTERS

Model Nos: TC314, TC414, TC4163

Thank you for purchasing a Sealey product. Manufactured to a high standard this product will give you years of trouble free performance if these instructions are carefully followed and the product is correctly maintained.



IMPORTANT: PLEASE READ THESE INSTRUCTIONS CAREFULLY. NOTE THE SAFE OPERATIONAL REQUIREMENTS, WARNINGS AND/OR CAUTIONS. USE THIS PRODUCT CORRECTLY AND WITH CARE FOR THE PURPOSE FOR WHICH IT IS INTENDED. FAILURE TO DO SO MAY CAUSE DAMAGE OR PERSONAL INJURY AND WILL INVALIDATE THE WARRANTY. PLEASE RETAIN THESE INSTRUCTIONS FOR FUTURE USE.

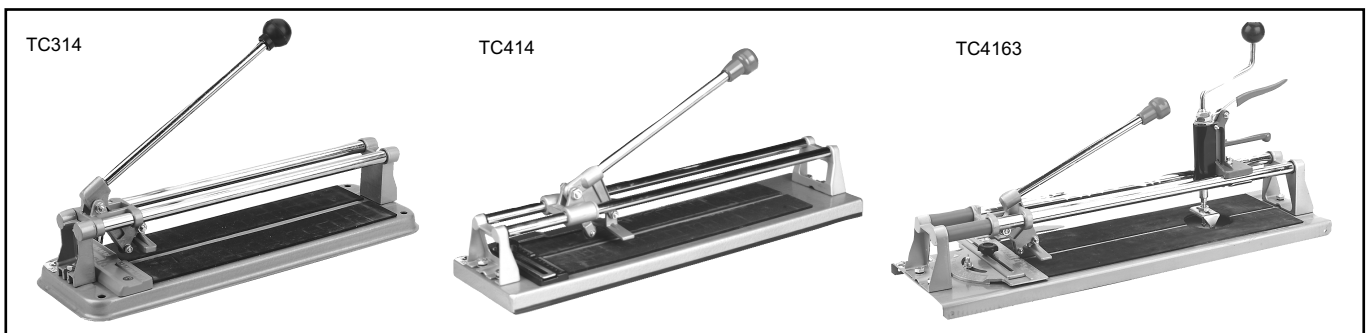
1. SAFETY INSTRUCTIONS

- ❑ **WARNING!** DO NOT cut any materials containing asbestos.
- ❑ **WARNING!** Before each use check cutting disc is not worn or damaged, if so replace immediately. *Use genuine parts only. Unauthorised parts may be dangerous and will invalidate the warranty.*
- ❑ **WARNING!** The cut edge of the workpiece will be very sharp.
- ❑ **WARNING!** Cut tiles can produce very sharp shards of glazed ceramic.
- ✗ DO NOT force the tile cutter to achieve a task it was not designed to perform.
- ✗ DO NOT use the tile cutter for any purpose other than for which it is designed.
- ✗ DO NOT allow children to operate the tile cutter.
- ✗ DO NOT operate the tile cutter if any parts are damaged or missing as this may cause failure and/or possible personal injury.
- ✗ DO NOT over press on the down handle in order to etch the glaze. Maintain a controlled adequate progression, which will ensure an even score through the glaze and avoid unnecessary wear on the blade.
- ✓ Avoid subjecting the operating handle to excessive strain, always ease the handle down against workpiece (a harsh downward impact may break the tile).
- ✓ Wear safety eye protection.
- ✓ Remove personal items such as bracelets and necklaces, remove ties and contain long hair.
- ✓ When not in use store in a safe, dry, child proof area.

2. INTRODUCTION & SPECIFICATIONS

2.1. Introduction.

A range of heavy gauge steel sheet based tile cutters with foam tile cushioning, measuring scale and replaceable Tungsten Carbide cutting wheel. The TC414 has an adjustable stop. The TC4163 has an adjustable stop, an adjustable measuring scale with stop allowing cutting between 0-45° and includes a cutting attachment for making holes 30-80mmØ.



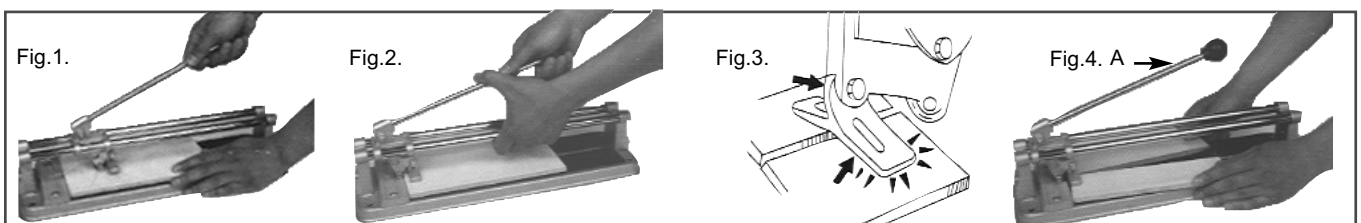
2.2. Specifications

		TC314	TC414	TC4163
Base Size	(mm)	435 X 140	595 X 165	700 X 205
Cutting Length	(mm)	300	430	450
Cutting Thickness	(mm)	12	14	16

3. OPERATION

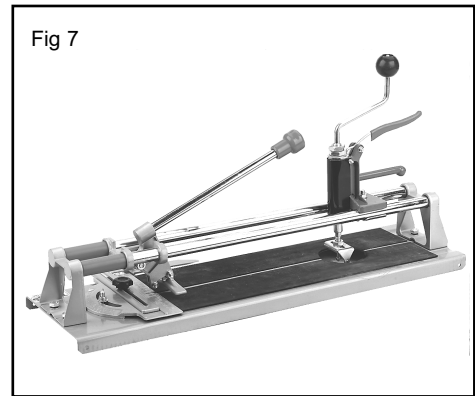
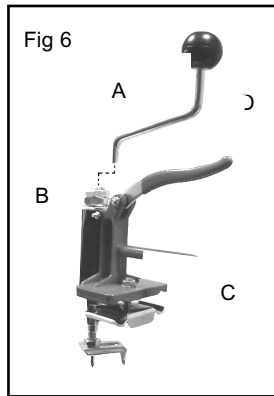
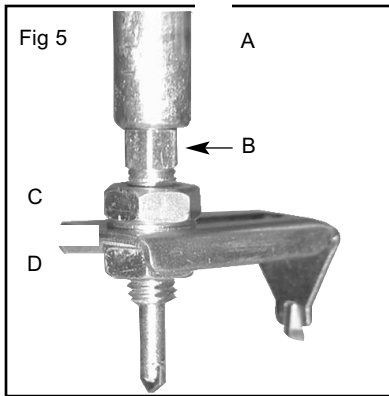
3.1. Tile Cutting.

- 3.1.1. Mark the glazed surface of the tile with the required position of the cut.
- 3.1.2. Place the tile on the cushioned bed of the tile cutter and position firmly against the measuring scale. Align the required position of the cut with the cutting wheel and hold the tile firmly in place. Apply sufficient pressure to the handle, in order to etch the glaze, whilst drawing the cutting wheel across the surface of the tile, fig.1.
- 3.1.3. Position the breaker foot at the beginning of the cut, grip the handle and guides and apply sufficient downward force on the handle to break the tile, figs.2 & 3.
- 3.1.4. Remove the cut tile from the cushioned bed, fig.4. **Note:** The cut edge will be sharp.



3.2 Hole Cutting (TC4163 only).

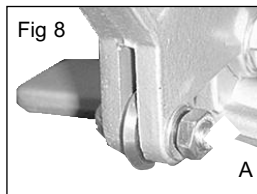
- 3.2.1. Unscrew and remove the handle fig.4.A.
- 3.2.2. To ensure the hole cutter is securely fitted to the main shaft, prevent the main shaft, fig.5.A from rotating, then, using a 10mm open ended spanner, tighten the hole cutter, fig.5.B.
- 3.2.3. Loosen nuts fig.5.C & D. and adjust the height of the cutter such that the side flats of the pilot drill enter the tile prior to the cutter.
- 3.2.4. Position the cutter accordingly for the size of hole required and tighten the upper nut, fig.5.C.
- 3.2.5. Screw the operating arm, fig.6.A, into the main shaft, fig.6.B.
- 3.2.6. Undo the nut, fig.6.C and remove the lower securing plate from the hole cutting attachment.
- 3.2.7. Position the hole cutter on the guide rails fig.7, attach the lower securing plate and position centrally over the hole in the base. Tighten the securing nut.
- 3.2.8. Raise the main shaft by pushing downwards on the lever fig.6.D and place a tile on the cushioned base. Align the pilot drill with the centre of the required hole. Lower the main shaft, hold the tile firmly in place and rotate the operating arm.
- 3.2.9. Once the required hole has been cut, raise the main shaft and remove the tile.



4. MAINTENANCE

4.1. Changing the tile cutter.

- 4.1.1. Undo nut fig.8.A and remove pin and cutting wheel.
- 4.1.2. Refit pin and new cutting wheel.
- 4.1.3. Refit washer and tighten nut.



4.2. Changing the hole cutter (TC4163 only).

- 4.2.1. Prevent the main shaft, fig.5.A. from rotating and, using a 10mm open ended spanner, undo the hole cutting fixture fig.5.B.
- 4.2.2. Fit new fixture and tighten.

5. PARTS LIST

Item No	Part No	Description
1	TC314CW	Cutting wheel for TC314
2	TC414CW	Cutting wheel for TC414
3	TC4163CW	Cutting wheel for TC4163
4	TC4163PDC	Hole cutter for TC4163

NOTE: It is our policy to continually improve products and as such we reserve the right to alter data, specifications and component parts without prior notice. **IMPORTANT:** No liability is accepted for incorrect use of this equipment. **WARRANTY:** Guarantee is 12 months from purchase date. proof of which will be required for any claim. **INFORMATION:** For a copy of our latest catalogue and promotions, call us on 01284 757525 and leave your full name and address including your postcode.



Sole UK Distributor, Sealey Group, Bury St. Edmunds, Suffolk.

01284 757500

01284 703534

E-mail: sales@sealey.co.uk