

PROWLER™

TILE CUTTER

WSPROBD4191-1

4.2A/ 4.5inch



EAN CODE **888369190163**

SKU# **100618636**

For Warranty questions or claims, please contact the retailer that the product was purchased from.

Made in China 2019

CONTENTS

Introduction..... 02

Intended Use..... 02

General Safety Instructions..... 02

Technical Specifications..... 06

Summary..... 07

Assembly..... 07

Operation..... 08

Cleaning And Maintenance..... 11

Storage..... 12

Trouble Shooting..... 13

Explosive View/Chart 14

Warranty 16



Introduction



Congratulations on the purchase of your new device. With it, you have chosen a high-quality product. During production, this equipment has been checked for quality and subjected to a final inspection. The functionality of your equipment is therefore guaranteed.

The operating instructions constitute part of this product. They contain important information on safety, use and disposal. Before using the product, familiarize yourself with all of the operating and safety instructions. Use the product only as described and for the applications specified. Keep this manual safe and in the event that the product is passed on, hand over all documents to the third party.

Intended use

The tile cutting machine is designed for small and medium-sized tiles (glazed, ceramic or similar). Wood and metal must not be cut with it. This machine is intended to be used together with water.

The equipment is designed for use by adults ONLY. The manufacturer shall not be liable for damages caused by use other than for the intended purpose or by incorrect operation.

General safety instructions

>Keep work area clear. Cluttered areas and benches invite injuries.

>Consider work area environment.

- Do not expose tools to rain. Do not use tools in damp or wet locations. Water entering a power tool will increase the risk of electric shock.

- Keep work area well lit.

- Do not use tools in the presence of flammable liquids or gases. Power tools create sparks which may ignite the dust or fumes.

>Guard against electric shock.

Avoid body contact with earthed or grounded surfaces (e.g. pipes, radiators, ranges, refrigerators).

>Keep other persons away.

Do not let persons, especially children, not involved in the work touch the tool or the extension cord and keep them away from the work area.

>Store idle tools. When not in use, tools should be stored in a dry locked up place, out of reach of children.

>Do not force the tool.

It will do the job better and safer at the rate for which it was intended.

>Use the right tool.

- Do not force small tools to do the job of a heavy-duty tool.

- Do not use tools for purposes not intended; Use of the power tool for operations different from those intended could result in a hazardous situation.

>Dress properly.

- Do not wear loose clothing or jewelry; they can be caught in moving parts.
- Anti-slip footwear is recommended when working outdoors.
- Wear protective hair covering to contain long hair.

>Use protective equipment.

- Use safety glasses with side shields that meet ANSI Z87.1 standards. Use hearing protection that meets ANSI S3.19 standards.
- Use face or dust mask if working operations create dust.

>Connect dust extraction equipment.

If the tool is provided for the connection of dust extraction and collecting equipment, ensure these are connected and properly used.

>Do not abuse the cord.

Never yank the cord do disconnect it from the socket. Keep the cord away from heat, oil and sham edges.

>Secure work.

Where possible use clamps or a vice to hold the work. It is safer than using your hand.

>Do not overreach.

Keep proper footing and balance at all times. This enables better control of the power tool in unexpected situations.

>Maintain tools with care.

Many accidents are caused by poorly maintained power tools.

- Keep cutting tools sharp and clean for better and safer performance.
- Follow instruction for lubricating and changing accessories.
- Inspect tool cords periodically and if damaged have them repaired by an authorized service facility.
- Inspect extension cords periodically and replace if damaged.
- Keep handles dry, clean and free from oil and grease.

>Disconnect tools.

When not in use, before servicing and when changing accessories disconnect tools from the power supply. Such preventive safety measures reduce the risk of starting the power tool accidentally.

>Remove adjusting keys and wrenches.

Form the habit of checking to see that keys and adjusting wrenches are removed from the tool before turning it on. A wrench or a key left attached to a rotating part of the power tool may result in personal injury.

>Avoid unintentional starting.

Ensure switch is in "off" position when plugging in.

>Use outdoor extension cord.

When the tool is used outdoors, use only extension cords intended for outdoor use and so marked.

>Stay alert, watch what you are doing and use common sense when operating a power tool.

Do not use a power tool while you are tired or under the influence of drugs, alcohol or medication. A moment of inattention while operating power tools may result in serious personal injury.

>Check damaged parts.

This will ensure that the safety of the power tool is maintained.

- Before further use of tool, it should be carefully checked to determine that it will operate properly and perform its intended function.
- Check for alignment of moving parts, binding of moving parts, breakage of parts, mounting and any other conditions that may affect its operation.
- A guard or other part that is damaged should be properly repaired or replaced by an authorized service center unless otherwise indicated in this instruction manual.
- Have defective switches replaced by an authorized service center.
- Do not use the tool if the switch does not turn it on and off.

There is a risk of injury.



The use of any accessory or attachment other than one recommended in this instruction manual may present a risk of personal injury.

• **Have your tool repaired by a qualified person.**

This electric tool complies with the relevant safety rules.

Repairs should only be carried out by qualified persons using original spare parts, otherwise this may result in considerable danger to the user.

Further Safety Instructions

>Connect the device only to a power point with a residual current protective device (RCD) with a measured residual current of not more than 30 mA.

>Keep the mains cable and extension cable away from the cutting wheel. In the event that it is damaged or severed, immediately disconnect the plug from the socket.

Do not touch the cable before it has been disconnected from the mains.

>The replacement of the plug or the connection line must always be executed by the manufacturer of the electric tool or his/her customer service in order to avoid any hazards.

>Only switch the device on once it is safely fixed to the worktop.

>For your own safety only use accessories and attachments which were stated in the operating instructions or recommended or specified by the tool manufacturer.

>Only use grinding tools recommended by the manufacturer. Ensure that the dimensions match those of the device.

>Only use cutting wheels on the product where the rated maximum rotational speed is less than the maximum speed specified on the rating label or in this manual.

>Carry out a visual inspection of the cutting wheel before use. Do not use any damaged or deformed cutting wheels. Replace any damaged or worn cutting wheels.

>The sparks that may be produced by grinding are dangerous. Adjust protective guard to minimize any danger to yourself or surrounding area.

>Always wear safety goggles, safety gloves, respiratory protection and ear protection when grinding, brushing and separating.

>Never put your fingers between the cutting wheel and protective cover or in close proximity to the protective hoods. There is a risk of crushing.

>The rotating parts of the device cannot be covered due to functional reasons.

Therefore, proceed cautiously and hold the workpiece firmly in order to avoid slipping which could cause your hands to come into contact with the cutting wheel.

>The workpiece gets hot during grinding. Do not touch the machined area, allow it to cool down.

There is a risk of burning. Do not use coolants or the like.

>Switch the device off and remove the mains plug

- to loosen a blocked insertion tool,

- if the connection line is damaged or entangled,

- in case of unusual sounds.

>Do not use circular cutting wheels, chain cutting wheels or diamond cutting wheels with a serrated edge.

Residual risks

Even if properly operating and handling this electric tool, some residual risks will remain. Due to its construction and build, this electric tool may present the following hazards:

a) Lung damage, if suitable respiratory protection is not worn.

b) Hearing damage, if suitable ear protection is not worn.

c) Personal injury may occur due to:

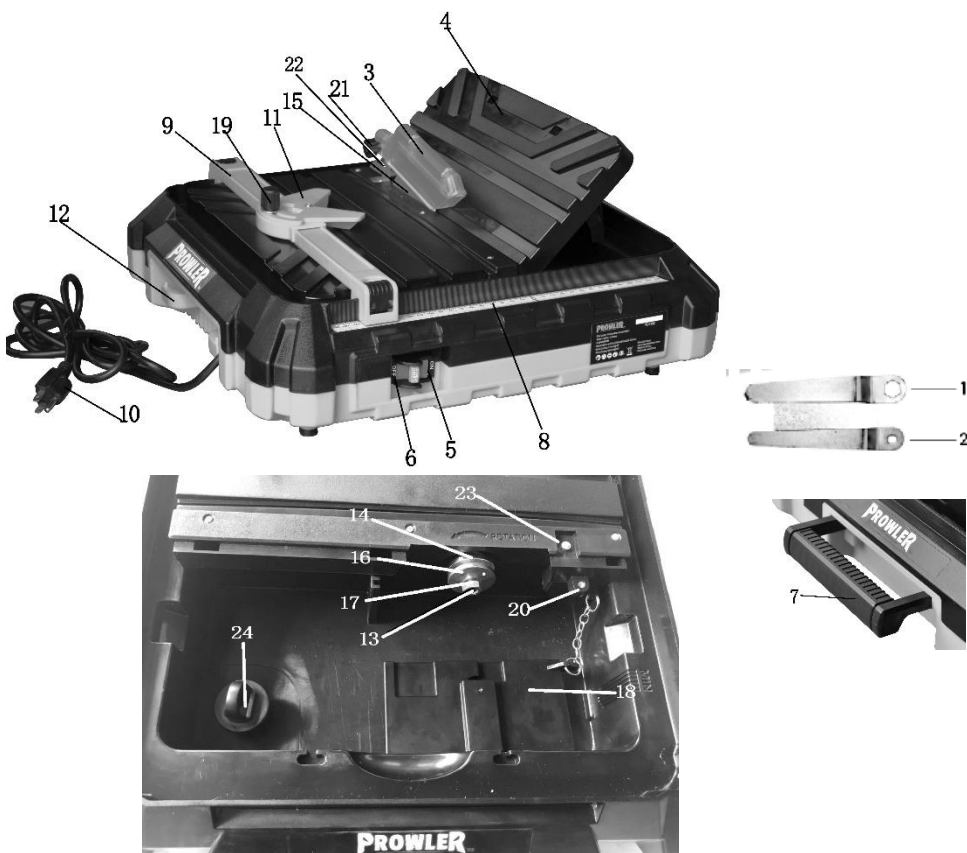
- touching the area of the grinding tool which was not covered;

- the ejection of pieces from workpiece or damaged cutting wheels.

Technical specifications

Nominal input voltage.....	120 V~, 60 Hz
Power consumption.....	4.2A
Speed.....	5400RPM
Weight	approx. 3.6 kg
Depth of cut 90°.....	max. 25 mm
Depth of cut 45°.....	max. 16 mm
Sound pressure level (LpA).....	94 dB(A); KpA=3 dB
Sound power level (LwA) measured.....	104 dB(A); KwA=3 dB
Cutting wheels outer diameter.....	Ø 115 mm
Bore hole.....	Ø 22,2 mm

Performance and visual changes may be undertaken in the course of further development without notice. All dimensions, references and information in this instruction manual are therefore not guaranteed. Legal claims made on the basis of the instruction manual can therefore not be considered as valid.



Summary

- | | |
|--|--|
| 1. Wrench of nut | 14. Inner flange |
| 2. Wrench of shaft | 15. Cutting wheel |
| 3. Protective upper cover of cutting wheel | 16. Outer Flange |
| 4. Work table, foldable | 17. Shaft nut |
| 5/6. Switch | 18. Protective bottom cover of cutting wheel |
| 7. Carry handle | 19. Knob on ruler |
| 8. Measuring scale | 20. Screw |
| 9. Parallel stop | 21. Screw on protect cover of cutting wheel |
| 10. Mains cable/plug | 22. Riving knife |
| 11. Ruler | 23. Screw |
| 12. Power cord holder | 24. Drainplug |
| 13. Shaft | |

Assembly



Caution! Risk of injury! - Ensure that you have sufficient space in which to work, and that you do not endanger other people. - All covers and protective devices must be assembled properly before commissioning. - Disconnect the mains plug before changing the setting on the device

•Mounting the cutting wheel

1. Unfold the work table (4).
2. Pull the work table (4) out of the holder.
3. Remove the protective cover of cutting wheel (18) by removing the screw (20).
4. Release the shaft nut (17).
5. Remove the nut (17) and the outer flange (16) from the shaft (13). The inner flange (14) remains on the shaft (13).
6. Place the full-rim diamond cutting wheel (15) on the shaft (13). Please note the direction of rotation. This is marked on the full-rim diamond cutting wheel (15) and on the protective cover (3).
7. Fix the outer flange (16) with the straight side against the full-rim diamond cutting wheel (15).
8. Turn the shaft nut (17) using wrenches (1) and (2) to block the shaft (13). First attach wrench (1) and then wrench (2).
9. Attach the protective cover of cutting wheel (18) in the reverse order.
10. Reinsert the work table (4).

A cutting wheel whose maximum speed is lower than the nominal speed of the machine must not be used.

•Attaching the protective upper cover

1. Remove the screw (23) from the machine.
2. Place the riving knife (22) in line behind the full-rim diamond cutting wheel (15) through the mounting hole.
3. Use the screw (23) to tight the riving knife (22) to the machine
4. Align the riving knife (22) with the full-rim diamond cutting wheel (15).

5. Put the protective cover (3) on to the riving knife (22).

6. Use the screw (21) to tight the protective cover (3) and riving knife (22).

Reminder! The protective cover (3) cannot be rigidly fixed in place. It simply lies on top of the work table (4).

•Mounting the parallel stop

1. Insert the parallel stop (9) onto the machine, and keep it in the position which is parallel to the cutting wheel
2. Pull the guide clamp in both side of the parallel stop (9) in order to be able to insert the parallel stop on the table.
3. Lock the parallel stop (9) firmly in place with the two guide clamps.

•Setting up

- > The device must only be used on a flat and stable surface.
- > The carrying handle is used exclusively for transporting the device. The device can be moved from place to place but must not be carried during operation.
- > The device is intended to be used with water.

Operation



Caution! Risk of injury!

- Always disconnect the plug from the main socket before working.
- Only use cutting wheel and accessories recommended by the manufacturer. Using other attachment tools and other accessories can represent a risk of injury for you.
- Never operate the device without protective equipment.



**Keep your hands away from the cutting wheel when the device is in operation.
Injury hazard!**



Never operate the device without water.



The workpiece must not be too small. Otherwise, your fingers and hands will be placed in extreme danger due to the close proximity of the cutting wheel. The workpiece must not be too large either. It must be ensured that it is securely supported on the work surface.

•Switching on and off

Connect the equipment to the mains.

1. To switch on, press the switch in "ON" side (5)
2. To switch off, press the switch in "OFF" side (6)

After switching on the device, wait until the device has reached its max. speed. Only then must

you start with the cutting.

▲ WARNING

The cutting wheel will continue to run after the equipment is switched off. There is a risk of injury.

Test run:

Before starting work and after each change of cutting wheel, carry out a test run of at least 60 seconds with no load. Switch off the equipment immediately if the cutting wheel runs lumpy, substantial vibrations occur, or abnormal noises are generated.

▲ WARNING

Do not permit fingers to touch the terminals of plug when installing or removing from outlet.

- Inspect tool cords periodically, and if damaged, have repaired by an authorized service facility.
- The conductor with insulation having an outer surface that is green with or without yellow stripes is the equipment-grounding conductor. If repair or replacement of the electric cord or plug is necessary, do not connect the green (or green and yellow) wire to a live terminal.
- DO NOT USE AN ADAPTER with this product.
- Ground Fault Circuit Interrupter (GFCI) protection should be provided on the circuit(s) or outlet(s) to be used for the tile saw. Outlet are available having built-in GFCI protection and maybe used for this measure of safety.



GFCI Outlet

EXTENSION CORDS

Use proper extension cords. Make sure the extension cord is in good condition. Use only 3-wire extension cords have 3-prong grounding type plugs and 3-pole receptacles which accept the tool plug. When using an extension cord, make sure to use one heavy enough to carry the current of the machine. An undersized cord will cause a drop in the voltage, resulting in loss of power and overheating. Use the table to determine the minimum wire size (A.W.G.) extension cord.

Extension Cord Length

Wire Size -----18 A.W.G.

Up to 25ft

NOTE: Using extension cords over 25ft. Long is not recommended.

Use only extension cords that are intended for outdoor use. These extension cords are identified by a marking "Acceptable for use with outdoor appliances; store indoors while not in use". Use only extension cords having an electrical rating not less than the rating of the product. Do not use damaged extension cords. Examine extension cord before using and replace if damaged. Do not abuse extension cords and do not yank on any cord to disconnect. Keep cord away from heat and sharp edges. Always disconnect the extension cord from the receptacle before disconnecting the product from the extension cord.

⚠ WARNING

Do not connect to the power source until the machine is completely assembled. The machine is wired for 120V volts, 60HZ alternating current. Before connecting the machine to the power source, make sure the switch is in the "OFF" position. Running the unit on voltages which are not within range may cause overheating and motor burn-out. Heavy loads require that voltage at motor terminals be no less than the voltage specified on rating plate

>Power supply to the motor is controlled by a locking rocker switch, Remove the key to prevent unauthorized use.

NOTE: Do not operate this tool on direct current (DC). A substantial voltage drop will cause a loss of power and the motor will overheat. If the saw does not operate when plugged into outlet, double check the power supply.

⚠ WARNING

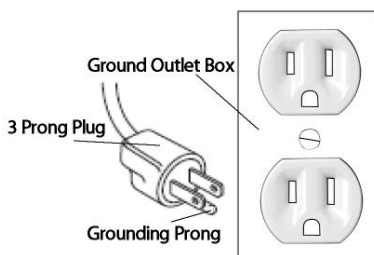
Improper connection of equipment grounding conductor can result in the risk of electrical shock.

>The machine should be grounded while in use to protect operator from electrical shock.

>In the event of an electrical short circuit. Grounding reduces the risk of electrical shock by providing an escape wire for the electric current.

>This machine is equipped with an approved 3- conductor cord rated at 150V and a 3-prong grounding-type plug for your protection against shock hazards.

>Grounding plug should be plugged directly into a properly installed and grounded 3-prong grounding-type receptacle, as shown in following figure.



>The plug must be plugged into an outlet that is properly installed and grounded in accordance with all local codes and ordinances.

>Check with qualified electrician or service personnel if these instructions are not completely understood or if in doubt as to whether the tool is properly grounded.

>Do not modify plug provided. If it will not fit in outlet, have proper outlet installed by a qualified electrician. Use only 3-wire extension cords, that have 3-prong grounding type plugs and matching 3-conductor receptacles that accept the machine's plug, as shown in above figure.

• Performing a parallel cut

1. Adjust the parallel stop (9) to the desired distance from the full-rim diamond cutting wheel (15).
2. The desired width can be read off on the measuring scale (8).
3. Fix the parallel stop (9) firmly in place with the two guide clamps.
4. Place the workpiece on the work surface and against the parallel stop (9).

5. Turn the device on.
6. Push the workpiece evenly and not too fast across the work surface through the full-rim diamond cutting wheel (15).
7. Always ensure that is a sufficient distance between your fingers and hands and the full-rim diamond cutting wheel (15).

• Performing an angle cut

1. Put the ruler (11) on to the parallel stop (9).
2. Adjust the desired working angle on the ruler (11).
3. The ruler angle can be read off on the scale.
4. Fix the ruler (11) in place with the knob (19).
5. Ensure that the parallel stop (9) is fixed in place, as required.
6. Place the workpiece on the work surface and against the ruler (11).
7. Turn the device on.
8. Push the workpiece evenly and not too fast across the work surface through the full-rim diamond cutting wheel (15).
9. Always ensure that is a sufficient distance between your fingers and hands and the full-rim diamond cutting wheel (15).



• Performing a miter cut (jolly cut)

1. Place the work table (4) in position.
2. Fix the work table (4) firmly in place with the two set-up aids.
3. The work table (4) can be fixed in place at 22.5° and 45°.
4. Place the workpiece on the work table (4).
5. Turn the device on.
6. Push the workpiece evenly and not too fast across the folding work surface through the full-rim diamond cutting wheel (15).
7. Always ensure that is a sufficient distance between your fingers and hands and the full-rim diamond cutting wheel (15).



A jolly cut may only be carried out near the edge of the workpiece.

Cleaning and maintenance



Disconnect the plug before adjustment, maintenance or repair.



Have any work not described in these instructions carried out by a specialist workshop. Use only original components. Allow the equipment to cool before carrying out any maintenance and cleaning work. There is a risk of burns.

Before each use, check the equipment for obvious defects such as loose, worn or damaged components and check that screws or other parts are sitting correctly. In particular, check the cutting wheel; Replace damaged parts.

• **Cleaning**

Do not use cleaning agents or solvents. Chemical substances may attack plastic parts of the equipment. Never clean the equipment under running water.

>Clean the equipment thoroughly after each use.

>Clean the surface of the equipment with a brush or cloth.

Storage

>Store the appliance in a dry place well out of reach of children.

>Cutting wheel must be stored dry and upright and are not to be stacked.

Waste disposal and environmental protection

Be environmentally friendly. Return the tool, accessories and packaging to a recycling center when you have finished with them.



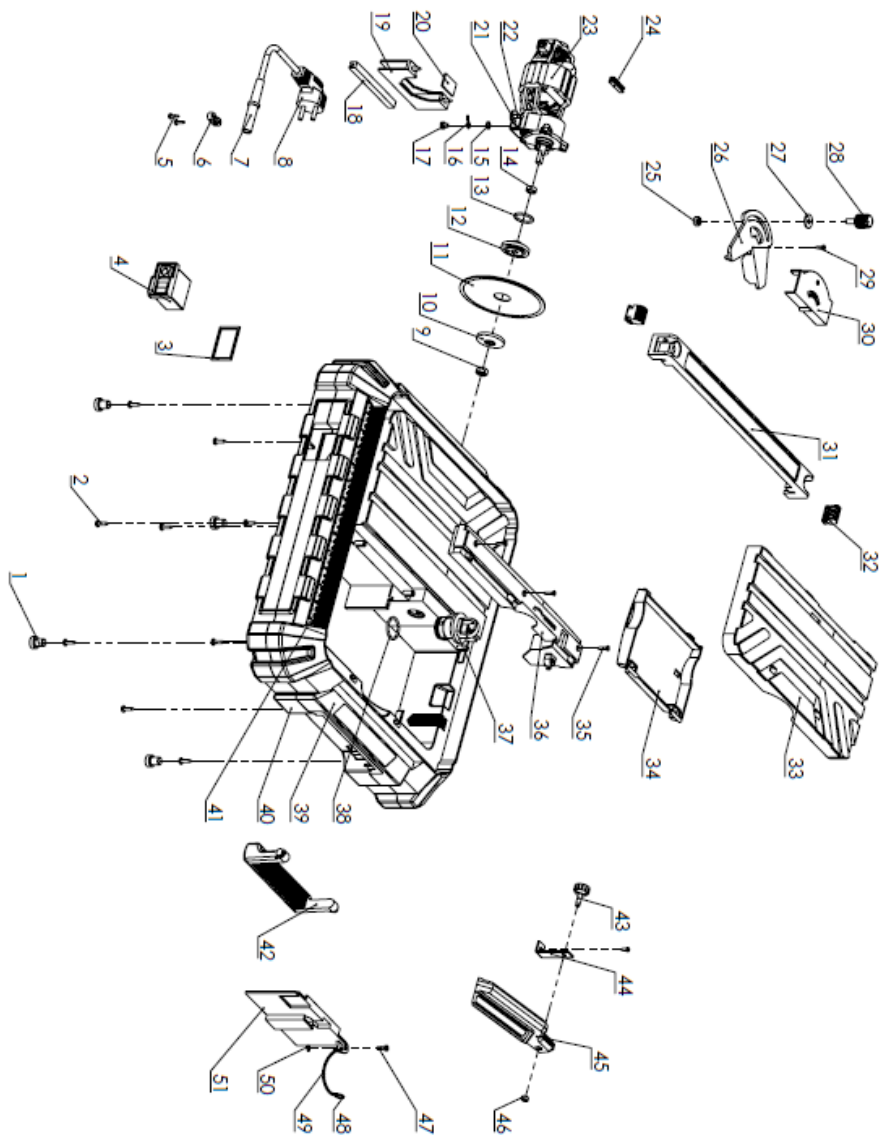
Machines are not to be placed with domestic waste.

When ready for disposal the product should be brought to a recycling center. The plastic and metal parts employed can be separated out into pure materials and recycling can be implemented. Ask your Service Center about this. Defective units returned to us will be disposed of for free.

Trouble Shooting

Problem	Possible cause	Solution
1. Product does not start	1.1 Not connected to power supply 1.2 Power cord or plug is defective 1.3 Other electrical defect to the product	1.1. Connect to power supply 1.2. Check by a specialist electrician. 1.3. Check by a specialist electrician
2. Product does not reach full power	2.1 Extension cord not suitable for operation with this product 2.2 Power source (e.g. generator) has too low voltage 2.3 Air vents are blocked	2.1. Use a proper extension cord 2.2. Connect to another power source 2.3. Clean the air vents
3. Unsatisfactory result	3.1 Accessory not suitable for work piece material 3.2 riving knife not aligned with cutting wheels.	3.1 Use proper accessory 3.2 Check by a specialist electrician.

Follow all safety precautions whenever diagnosing or servicing the tool. Disconnect power supply before service.



No	Name	Qty	No	Name	Qty
1	Rubber Feet	4	27	Flat washer $\Phi 6 \times 18$	1
2	Self-tapping screws ST3.5*16	9	28	knob M6*17	1
3	Rubber mat of switch	1	29	Self-tapping screw ST2.9*13	1
4	Switch	1	30	Ruler seat	1
5	Self-tapping screws ST2.9*12	4	31	Fence	1
6	Small bridge support	1	32	Guide clamp of parallel stop	2
7	Outlet hose	1	33	Work table	1
8	Power cord and plug	1	34	Supporter for work table	1
9	Nut M8	1	35	Countersunk head screw ST2.9*16	3
10	Outer Flange	1	36	Movable table	1
11	Cutting wheel	1	37	Drainplug	1
12	Inner flange	1	38	O style ring 25*2.65	1
13	O style ring 21.2*2.65	1	39	Upper frame body	1
14	Cushion cover of inner flange	1	40	Bottom frame body	1
15	Out-teeth washer $\Phi 5$	1	41	Measuring scale	1
16	Grounding piece $\Phi 5$	1	42	Handle	1
17	Cross two combined screw spring washer	1	43	Screw of upper cutting wheel protect cover	1
18	Longer block	1	44	Riving Knife	1
19	Plate of stator	1	45	Protect upper cover of cutting wheel cover	1
20	Cushion sheet	1	46	Nut M5	1
21	Fixed plate of motor	1	47	Screw M4*12	1
22	Two combined self-tapping screw ST4.2*16	4	48	Ring $\Phi 10$	1
23	Motor	1	49	Chain	1
24	Drainplug	1	50	Stop piece	1
25	Nut M6	1	51	Protect bottom cover of cutting wheel cover	1
26	Ruler	1			

Warranty

MANUFACTURER'S LIMITED WARRANTY



Manufacturer provides the following limited warranties to the original purchaser ("Purchaser") of its PROWLER TILE WET SAW from Manufacturer. Manufacturer's limited warranty is available only to the Purchaser and is not transferable by sale or other transfer of the Product. Manufacturer requires proof of purchase by the purchaser to determine eligibility hereunder.

Manufacturer warrants that its Product, in its original manufactured condition, will be free from manufacturing and assembly defects, subject to the warranty exceptions described below. Manufacturer will replace any product which is shown to have a manufacturing or assembly defect which is outside of accepted industry standards. Warranty is from the date of purchase by the Purchaser for a period of one (1) year.

This warranty excludes parts that are worn or damaged due to normal wear, such as motor, bearing, cutting wheels, switch, etc.

Warranty does not cover damage, malfunction or defect caused by:

- 1) Use of the Product outside of its intended use or in contradiction to the Product user manual or operating instructions.
- 2) Mishandling of the Product after purchase

IF ANY IMPLIED WARRANTY ARISES UNDER APPLICABLE LAW, THEN ANY AND ALL IMPLIED WARRANTIES ARE LIMITED IN DURATION TO THE DURATION OF THIS WRITTEN WARRANTY TO THE EXTENT ALLOWED BY APPLICABLE LAW. SOME STATES DO NOT ALLOW LIMITATIONS ON HOW LONG AN IMPLIED WARRANTY LASTS, SO THE ABOVE LIMITATION MAY NOT APPLY TO YOU.

WITH THE EXCEPTION OF ANY WARRANTIES IMPLIED BY STATE LAW AS HEREBY LIMITED, THE WARRANTIES SET FORTH ABOVE ARE PURCHASER'S SOLE AND EXCLUSIVE REMEDIES AGAINST MANUFACTURER, AND ARE IN LIEU OF ALL OTHER WARRANTIES, OBLIGATIONS, AND LIABILITIES OF MANUFACTURER, AND ALL RIGHTS, CLAIMS, AND REMEDIES OF PURCHASER AGAINST MANUFACTURER, EXPRESS OR IMPLIED, WITH RESPECT TO ANY NONCONFORMANCE OR DEFECT IN GOODS PURCHASED BY THE ORIGINAL PURCHASER FROM ANY AUTHORIZED RESELLER OF MANUFACTURER, INCLUDING, BUT NOT LIMITED TO, (A) ANY IMPLIED WARRANTIES OF MERCHANTABILITY OR FITNESS FOR A PARTICULAR PURPOSE, (B) ANY IMPLIED WARRANTIES ARISING FROM COURSE OF PERFORMANCE, COURSE OF DEALING, OR USAGE OF TRADE, (C) ANY OBLIGATIONS, LIABILITIES, RIGHTS, CLAIMS, OR REMEDIES IN TORT, WHETHER OR NOT ARISING FROM THE NEGLIGENCE OF MANUFACTURER, ACTUAL OR IMPUTED, AND (D) ANY OBLIGATIONS, LIABILITIES, RIGHTS, CLAIMS, OR REMEDIES FOR ANY OTHER DIRECT, INDIRECT, INCIDENTAL, OR CONSEQUENTIAL DAMAGES.

SOME JURISDICTIONS DO NOT ALLOW EXCLUSIONS OR LIMITATIONS OF INCIDENTAL OR CONSEQUENTIAL DAMAGES OR EXCLUSIONS OR LIMITATIONS OF IMPLIED WARRANTIES, THEREFORE, THE ABOVE LIMITATIONS OR EXCLUSIONS MAY NOT APPLY TO YOU.

THIS WARRANTY GIVES YOU SPECIFIC LEGAL RIGHTS. AND YOU MAY ALSO HAVE OTHER RIGHTS WHICH VARY FROM JURISDICTION TO JURISDICTION.

This warranty does not apply to damage due directly or indirectly, to misuse, abuse, negligence or accidents, repairs or alterations outside our facilities, criminal activity, improper installation, normal wear and tear, or to lack of maintenance. We shall in no event be liable for death, injuries to persons or property, or for incidental, contingent, special or consequential damages arising from the use of our product.

The remedies set forth above shall be the sole and exclusive remedies of Purchaser, however, if a court of competent jurisdiction finds that any portion of this warranty's limitation is not enforceable against Purchaser, Manufacturer's liability shall be limited solely to the replacement of the non-conforming product, or an amount equal to cost of the non-conforming product.

Warranty Procedure:

If you have any questions or wish to make a claim under this limited warranty, please contact retailer and have a copy of receipt.