

Thank you for purchasing a Sealey product. Manufactured to a high standard this product will, if used according to these instructions and properly maintained, give you years of trouble free performance.



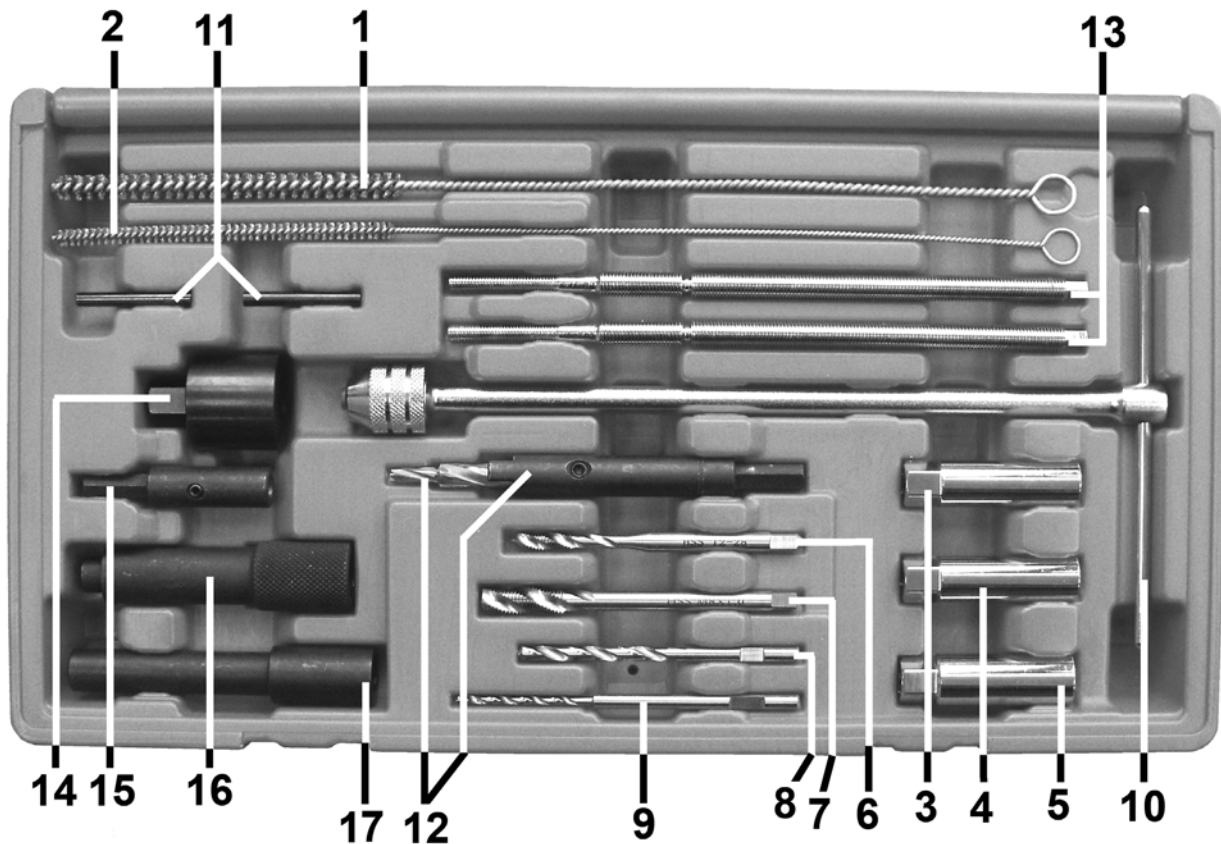
**IMPORTANT: PLEASE READ THESE INSTRUCTIONS CAREFULLY. NOTE THE SAFE OPERATIONAL REQUIREMENTS, WARNINGS AND CAUTIONS. USE THE PRODUCT CORRECTLY AND WITH CARE FOR THE PURPOSE FOR WHICH IT IS INTENDED. FAILURE TO DO SO MAY CAUSE DAMAGE AND/OR PERSONAL INJURY AND WILL INVALIDATE THE WARRANTY. PLEASE KEEP INSTRUCTIONS SAFE FOR FUTURE USE.**

## 1. SAFETY INSTRUCTIONS

- WARNING!** Ensure Health and Safety, local authority and general workshop practice regulations are adhered to when using tools.
- DO NOT** use tools if damaged.
- Maintain tools in good and clean condition for best and safest performance.
- Ensure that a vehicle which has been jacked up is adequately supported with axle stands.
- Wear approved eye protection. A full range of personal safety equipment is available from your Sealey dealer.
- Wear suitable clothing to avoid snagging. **DO NOT** wear jewellery and tie back long hair.
- Account for all tools and parts being used and do not leave them in or near the engine.
- DO NOT** attempt to start engine or move vehicle, whilst tools are fitted and work is in progress.
- Ensure any disconnected fuel pipes are plugged to avoid spillage.
- Account for all tools and parts being used, **DO NOT** leave them in or near the engine. Return all parts to the case and store this in a safe, dry, childproof location.
- IMPORTANT:** These instructions are provided as a guide only. Always refer to the vehicle manufacturer's service instructions, or a proprietary manual, to establish the current procedure and data.
- WARNING!** The warnings referred to in this guide cannot cover all possible conditions and situations that may occur. It must be understood that common sense and caution are factors which cannot be built into this product, but must be applied by the operator.

## 2. INTRODUCTION

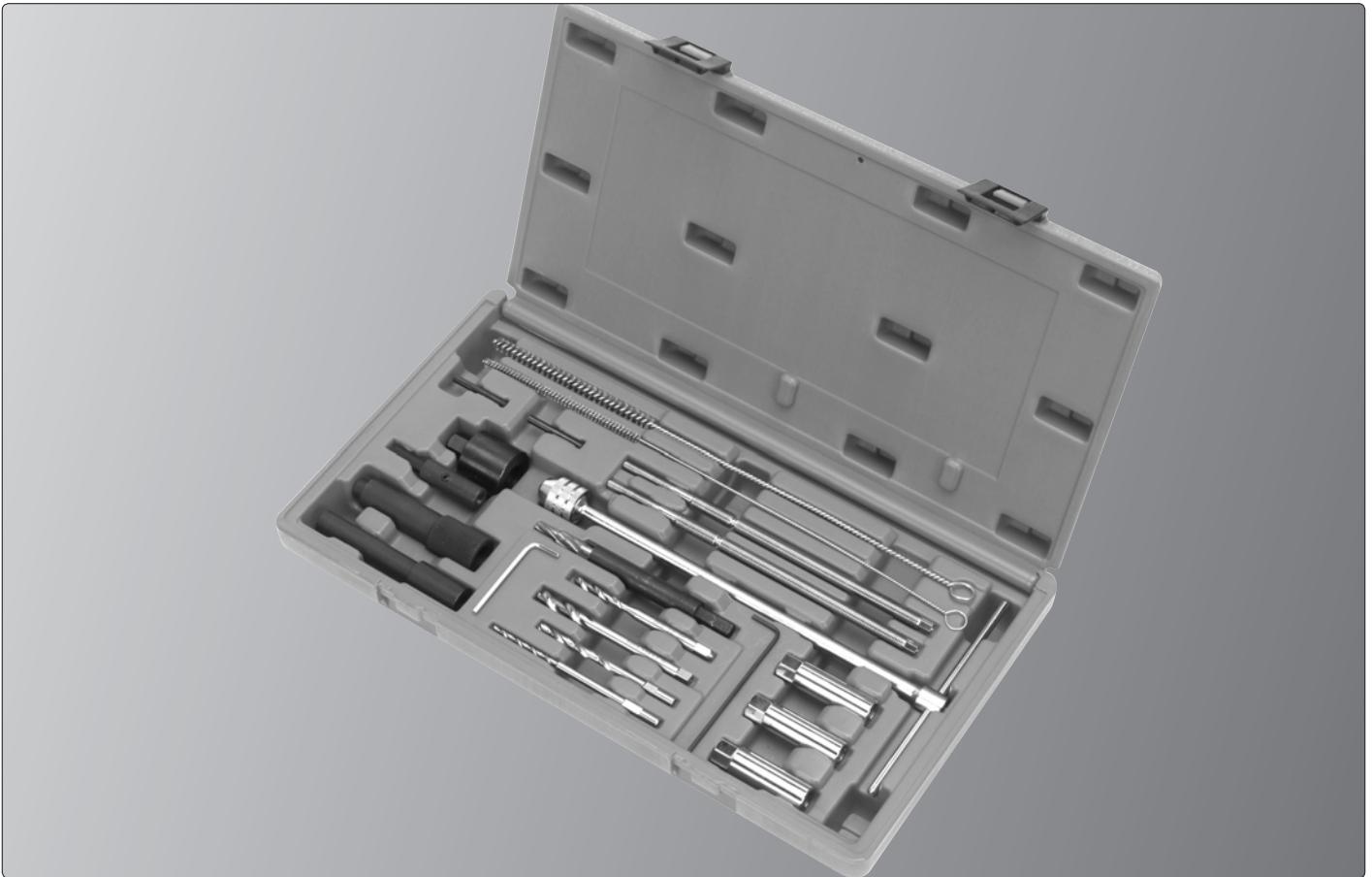
Designed for removal of damaged/broken glow plugs from cylinder heads. Suitable for glow plugs with a M8 x 1.0 thread. Set includes all required adaptors, centring and cleaning tools to safely remove the glow plug without damaging the engine.



1.	SX0407.01	De-carbonising Wire Brush (8mm)	10.	SX0407.10	T-Bar
2.	SX0407.02	De-carbonising Wire Brush (5mm)	11.	SX0407.11	Pilot Drill Centring Sleeve (x2)
3.	SX0407.03	Glow Plug Top Remover, 2.5mm	12.	SX0407.12	Bit - Glow Plug Top Nut Remover & Drill Holding Adaptor (also for items 8 & 9)
4.	SX0407.04	Glow Plug Top Remover, 3.5mm	13.	SX0407.13	Glow Plug Removal Thread Rod (x2)
5.	SX0407.05	Glow Plug Top Remover, 4.0mm	14.	SX0407.14	Removal Nut
6.	SX0407.06	Tap, M5.5 x 9mm	15.	SX0407.15	Tap Holding Adaptor (for items 6 & 7)
7.	SX0407.07	Tap, M8 x 10mm	16.	SX0407.16	Centring Adaptor
8.	SX0407.08	Pilot Drill, 4.5mm	17.	SX0407.17	Glow Plug Removal Sleeve
9.	SX0407.09	Pilot Drill, 2.6mm			

### 3. INSTRUCTIONS

- NOTE:** To minimise the possibility of damage to the engine, it is advisable to remove the cylinder head from the engine to work on it. Alternatively remove the relevant injector and connect an air line via an appropriate adaptor to the aperture, to ensure dirt and swarf do not enter the combustion chamber as the procedure is carried out. Ensure adequate eye protection is worn when cleaning any swarf away from the engine.
- 3.1. Select the appropriately sized Glow Plug Top Remover tool (3, 4 or 5), push fit tool onto the top of the glow plug, it may need to be tapped on lightly, then using a spanner or socket, remove/break off the top part of the glow plug.
  - 3.2. Insert a Centring Sleeve (11) into the recess in the top of the glow plug. Fit Pilot Drill (9) to an electric drill and insert pilot drill into centring sleeve, drill a pilot hole in the centre of the glow plug. Clean away the swarf using an air line. Alternatively for greater accuracy, fit the Pilot Drill (9) into the Drill Holding Adaptor (12) and lock in place with the grub screw. Fit the drill holding adaptor to an electric drill. Place Centring Adaptor (16) in the glow plug recess and slide the drill holding adaptor/drill into this and drill out a pilot hole in the centre of the glow plug.
  - 3.3. Fit Glow Plug Top Nut Remover (12) into Drill Holding Adaptor (12) and fit both to a drill. Drill off top of glow plug (if required). Clean away swarf with an air line.
  - 3.4. Fit 4.5mm Pilot Drill (8) into the Drill Holding Adaptor (12) and lock in place with the grub screw. Fit the drill holding adaptor to a drill. Place Centring Adaptor (16) in the glow plug recess and slide the drill holding adaptor/drill into this and carefully drill out the centre of the glow plug. Clean out the swarf using an air line.
  - 3.5. Fit Tap (6) to Tap Holding Adaptor (15) and then fit to the T-bar (10). Cut a thread into the centre of the glow plug (using cutting fluid). Clean out swarf using an air line.
  - 3.6. Thread the Glow Plug Removal Thread Rod (13) into the hole in the glow plug. Slide Glow Plug Removal Sleeve (17) over the rod and into the glow plug recess, then thread the Removal Nut (14) (nut side up) onto the end of the rod and thread it down until it meets the sleeve. Using a 5mm spanner to hold the rod, and a 13mm spanner to turn the removal nut, remove the glow plug.
  - 3.7. Thoroughly clean inside the glow plug aperture using one of the De-carbonising Wire Brushes (1 or 2). Clean out the combustion chamber using an air line.
  - 3.8. Clean the original glow plug's thread using the M8 x 10mm Tap (7).
  - 3.9. When satisfied that all swarf/debris has been cleared from the combustion chamber (if head still in situ), fit a new glow plug.
  - 3.10. Ensure all tools are removed from the engine bay and returned to the case, and store this in a safe, dry, childproof location.



**NOTE:** It is our policy to continually improve products and as such we reserve the right to alter data, specifications and component parts without prior notice.

**IMPORTANT:** No liability is accepted for incorrect use of this equipment.

**WARRANTY:** Guarantee is 12 months from purchase date, proof of which will be required for any claim.

**INFORMATION:** For a copy of our latest catalogue and promotions call us on 01284 757525 and leave your full name and address, including postcode.



Sole UK Distributor, Sealey Group,  
Kempson Way, Suffolk Business Park,  
Bury St. Edmunds, Suffolk  
IP32 7AR



01284 757500

01284 703534



[www.sealey.co.uk](http://www.sealey.co.uk)



[sales@sealey.co.uk](mailto:sales@sealey.co.uk)