

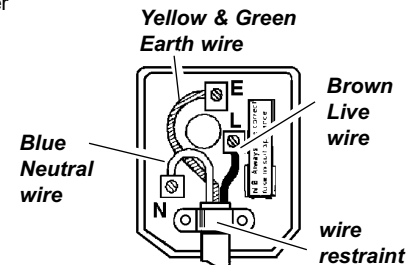
Thank you for purchasing a Sealey product. Manufactured to a high standard this product will, if used according to these instructions and properly maintained, give you years of trouble free performance.

⚠ IMPORTANT: PLEASE READ THESE INSTRUCTIONS CAREFULLY. NOTE THE SAFE OPERATIONAL REQUIREMENTS, WARNINGS & CAUTIONS. USE THE PRODUCT CORRECTLY AND WITH CARE FOR THE PURPOSE FOR WHICH IT IS INTENDED. FAILURE TO DO SO MAY CAUSE DAMAGE OR PERSONAL INJURY, AND WILL INVALIDATE THE WARRANTY. PLEASE KEEP INSTRUCTIONS SAFE FOR FUTURE USE.

1. SAFETY INSTRUCTIONS

1.1. ELECTRICAL SAFETY. ⚠ WARNING! It is the user's responsibility to read, understand and comply with the following: You must check all electrical equipment and appliances to ensure they are safe before using. You must inspect power supply leads, plugs and all electrical connections for wear and damage. You must ensure the risk of electric shock is minimised by the installation of appropriate safety devices. An RCCB (Residual Current Circuit Breaker) should be incorporated in the main distribution board. We also recommend that an RCD (Residual Current Device) is used with all electrical products. It is particularly important to use an RCD together with portable products that are plugged into an electrical supply not protected by an RCCB. If in doubt consult a professional electrician. You may obtain a Residual Current Device by contacting your Sealey dealer. **You must** also read and understand the following instructions concerning electrical safety.

- 1.1.1. The **Electricity At Work Act 1989** requires all portable electrical appliances, if used on a business premises, to be tested by a qualified Electrician at least once a year by using a Portable Appliance Tester (PAT).
- 1.1.2. The **Health & Safety at Work Act 1974** makes owners of electrical appliances responsible for the safe condition of the appliance, and the safety of the appliance operator. **If in any doubt about electrical safety, contact a qualified electrician.**
- 1.1.3. Ensure the insulation on all cables and the product itself is safe before connecting to the mains power supply. The pump and cable are designed for submerging in water and as such must not be tampered with (If in doubt, contact a qualified electrician).
- 1.1.4. Ensure that cables are always protected against short circuit and overload.
- 1.1.5. Regularly inspect power supply, leads, plugs and all electrical connections for wear and damage, especially power connections, to ensure that none are loose.
- 1.1.6. **Important:** Ensure the voltage marked on the product is the same as the electrical power supply to be used, and check that plugs are fitted with the correct capacity fuse. A 13Amp plug may require a fuse smaller than 13Amps for certain products (*subject to 1.1.10. below*) see fuse rating at right.
- 1.1.7. **DO NOT** pull or carry the powered appliance by its power supply lead.
- 1.1.8. **DO NOT** pull power plugs from sockets by the power cable.
- 1.1.9. **DO NOT** use worn or damaged leads, plugs or connections. Immediately replace or have repaired by a qualified Electrician. A U.K. 3 pin plug with ASTA/BS approval is fitted. In case of damage, cut off and fit a new plug according to the following instructions (discard old plug safely). (UK only - see diagram at right). **Ensure the unit is correctly earthed via a three-pin plug.**
 - a) **Connect the GREEN/YELLOW earth wire to the earth terminal 'E'.**
 - b) **Connect the BROWN live wire to live terminal 'L'.**
 - c) **Connect the BLUE neutral wire to the neutral terminal 'N'.**



FUSE RATING
THIS PRODUCT MUST BE FITTED
WITH A: **5 Amp FUSE**

After wiring, check there are no bare wires, that all wires have been correctly connected and that the wire restraint is tight.

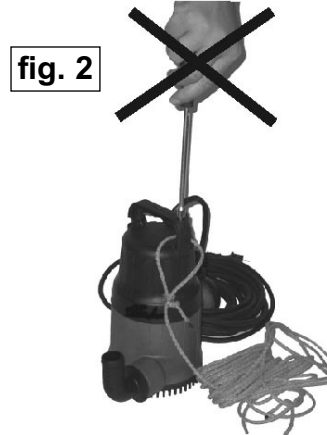
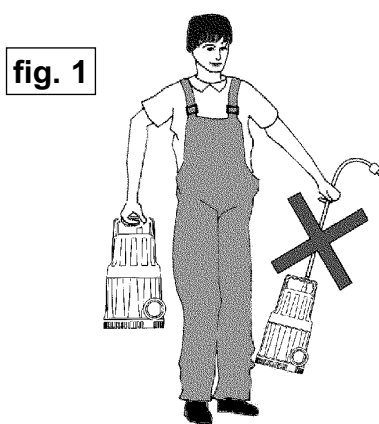
- 1.1.10. Only allow the minimal amount of pump cable to enter water or wet areas. The electrical cable is designed for use in water and must not be substituted. If damaged contact a qualified electrician.
- 1.1.11. **Extension cable use. Only use a cable designed for use with water equipment. Contact your dealer or a qualified electrician for advice. Ensure water is kept clear of electrical mains power supply. DO NOT touch switch or plug with wet hands.**

1.2 GENERAL SAFETY

- ⚠ **WARNING!** Pump must be used in accordance with Health & Safety, government, local authority, and water authority rules and regulations.
- ✓ Familiarise yourself with application and limitations, as well as the specific potential hazards peculiar to the pump.
- ⚠ **WARNING!** Disconnect the pump from the mains power before changing accessories, servicing or performing any maintenance.
- ✓ Maintain the pump in good condition (use an authorised service agent). Keep the pump clean.
- ✓ Replace or repair damaged parts. *Use genuine parts only. Non authorised parts may be dangerous and will invalidate the warranty.*
- ✓ Only use for pumping clean cold or warm water, (NOT exceeding 35°C).
- ✓ If pump is used to pump water from a well, drain or deep receptacle, take adequate precaution to stop persons and animals from falling in.
- ✓ Use the built in handle to lower or remove the pump. It may be necessary to attach a suitable rope or pulley to the handle.
- ✓ If the bottom of the water container is covered with sludge, sand, gravel or mud etc, suspend the pump or place it on a raised base to operate above the solid matter. Sand and such substances will reduce working life of pump, and invalidate your warranty.
- ✓ In flood situations, user is responsible for ensuring that appropriate back up procedures, alarms etc are correctly installed in case of pump failure.
- ✓ In swimming pool, fish ponds, etc, ensure location is clear of people and animals, (including removal of fish from pond). Note: this pump is not designed for continuous use in a fish pond or similar water feature or display.
- ✗ **DO NOT** operate the pump if any parts are damaged or missing as this may cause failure and/or possible personal injury.
- ✗ **DO NOT** use the pump for any purpose other than for which it is designed.
- ✗ **DO NOT** use to pump chemicals, fuels or salt water.
- ✗ **DO NOT** use to pump septic tanks or settling pits. **DO NOT** pump any liquids other than water.
- ✗ **DO NOT** operate pump out of water. The pump pick up area must be completely submerged during operation.
- ✗ **DO NOT** exceed the maximum submersible depth.
- ✗ **DO NOT** operate the pump during freezing temperatures. **DO NOT** leave the pump in water that may freeze.



- ✗ DO NOT carry the pump by its electrical cable, or outlet pipe. Use the handle only.
- ✓ When not in use switch pump off, remove plug from power supply. Rinse pump, drain out any water and store in a frost free, safe location.
- ❑ **WARNING! DO NOT remove the label "Test Made" from the top of the pump and DO NOT tamper with or remove the test screw. To do so will invalidate the warranty (fig. 2).**
- ❑ **WARNING! DO NOT allow uncontrolled discharge of contaminated water thus polluting environment.**



2. INTRODUCTION & SPECIFICATIONS

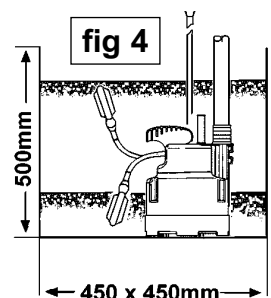
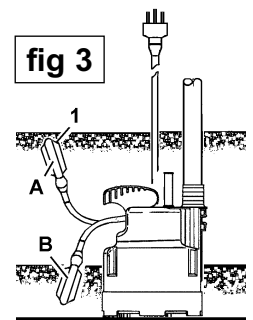
This range of pumps are designed for pumping clean cold or warm water, (NOT exceeding 35°C). Typical use would be for draining tanks, wells, ponds, swimming pools, drains. Pumping out flooded basements, boats etc. Model SWP20A has an adjustable automatic float switch which will turn the pump on as water levels rise and switch off when the level falls.

Model	Power	Max head	Max flow	Performance Range head(m) @ Flow l/m	Immersion Max depth	Min suction depth	maximum Intake size	outlet pipe bore	Max pump height & dia
SWP20 & SWP20A	250W	6 m	100 l/m	@ 5.8m = 20 l/m @ 4.7m = 40 l/m @ 3.3m = 60 l/m	6 m	8 mm	35 mm	1"	185 x Ø140

3. OPERATING INSTRUCTIONS

- ❑ **WARNING! Ensure you read, understand and apply safety instructions.**
- 3.1. Fit appropriate discharge pipe to pump outlet and secure with clip. Ensure the diameter of the discharge pipe is same as or greater than the outlet diameter as a smaller pipe will adversely effect the pump flow rate.
 - 3.2. Position pump in the water accordingly, and place the outlet pipe securely in the discharge receptacle or area. We recommend that the pump is sunk with its discharge outlet facing up to release any trapped air.
 - 3.3. Plug the pump into the electrical mains supply and switch on.
 - a) **Model SWP20** will start to operate once the power is switched on and stop when switched off.
 - b) **Model SWP20A** has a float (fig 3.1) which will automatically turn pump on as the level of water rises (A). As water level lowers, the float will automatically switch the pump off as it reaches the minimum height (B). Float may be adjusted by shortening or lengthening the cable. The pump will switch on if the water level is up to or above the maximum length of the float cable. To function correctly the float must move freely. Ensure the float can do so and that the cable is not restricted.
 - 3.4. The water into which the pump is placed will act as the motor cooling agent. For this reason the pump must remain submerged at all times. Should the pump have to be used in shallow water, DO NOT operate for more than 10 minutes. Failure to follow this rule will damage the unit and will invalidate your warranty. If for any reason the motor should overheat a thermal circuit breaker will automatically activate and stop the pump. If this happens, switch the mains power off and unplug. Check reason for overheating and remedy the problem. Should the pump not be switched off, the motor will remain off for approximately 5 minutes, and when cooled will automatically switch itself on again.

NOTE: See figure 4 to determine minimum clearance required if using automatic pump in a restricted area i.e. well, etc.



4. MAINTENANCE

- ❑ **WARNING! With the exception listed below, all pump, float and electrical cable service maintenance and repair must only be undertaken by an authorised service agent. Failure to observe this rule may be dangerous and will invalidate your warranty.**
 - ❑ **WARNING! Ensure the pump is disconnected from the mains power supply before attempting any service or maintenance.**
- 4.1 Keep all parts of the pump clean. Rinse, drain and allow to dry before storing.
 - 4.2 Regularly check the water inlet at the base of the pump to ensure there are no blockages. To access the impeller carefully undo the base screws and remove base and clean the impeller, replace the base ensuring that the "O" - ring is correctly located. DO NOT dismantle any other part of the unit.

Note: The pump has a self lubricating oil-less motor, but a small amount of sealant is used to seal the unit. Should the pump seal be damaged the sealant may leak and appear as a oily film on the surface of the water. The sealant is harmless to humans, but may effect pond life. In such an eventuality, switch the pump off, remove it from the water and clear the oily film. Contact your local Sealey service agent for pump repair.

TROUBLESHOOTING

a. The thermal circuit breaker cuts in as the motor has overheated.	1. The water level is too low 2. Intake blocked, impeller jammed. 3. Temperature of inlet water exceeds 35°C	1. Sink the pump deeper, or allow to cool before continuing use. 2. Check and clean. 3. Reduce water temperature. Allow the circuit breaker to cool for approx 25mins before restarting.
b. Motor operates but there is no suction.	4. Water level below min suction depth. 5. Air bubbles in pump accumulated during submersion, or because float is incorrectly positioned so pump does not stop at min level and sucks in air. 6. Clogged intake filter or discharge pipe	4. Stop the pump. 5. Release air by inclining the pump and re-immersing it in water. 6. Remove dirt, and clean the unit.
c. Reduced water volume for level of water	7. Discharge pipe bent, or pinched. 8. Discharge pipe too narrow. 9. Pump partially blocked.	7. Straighten pipe 8. Use wider diameter pipe. 9. Clean pump.
d. The pump will not start or suddenly stops during operation.	10. No electrical power. 11. Float not working 12. Circuit breaker has triggered. 13. Impeller is jammed.	10. Check cable, plug and fuse. 11. Contact authorised service agent. 12. See (a) above. 13. Clean the pump.

Declaration of Conformity

We, the sole importer into the UK, declare that the products listed below are in conformity with the following EEC standards and directives

SUBMERSIBLE WATER PUMP
Models: SWP20, SWP20A.
73/23/EEC Low Voltage Directive
89/336/EEC EMC Directive
BSEN 60335-2-41



The construction file for these products are held by the Manufacturer and may be inspected, by a national authority, upon request to Jack Sealey Ltd.

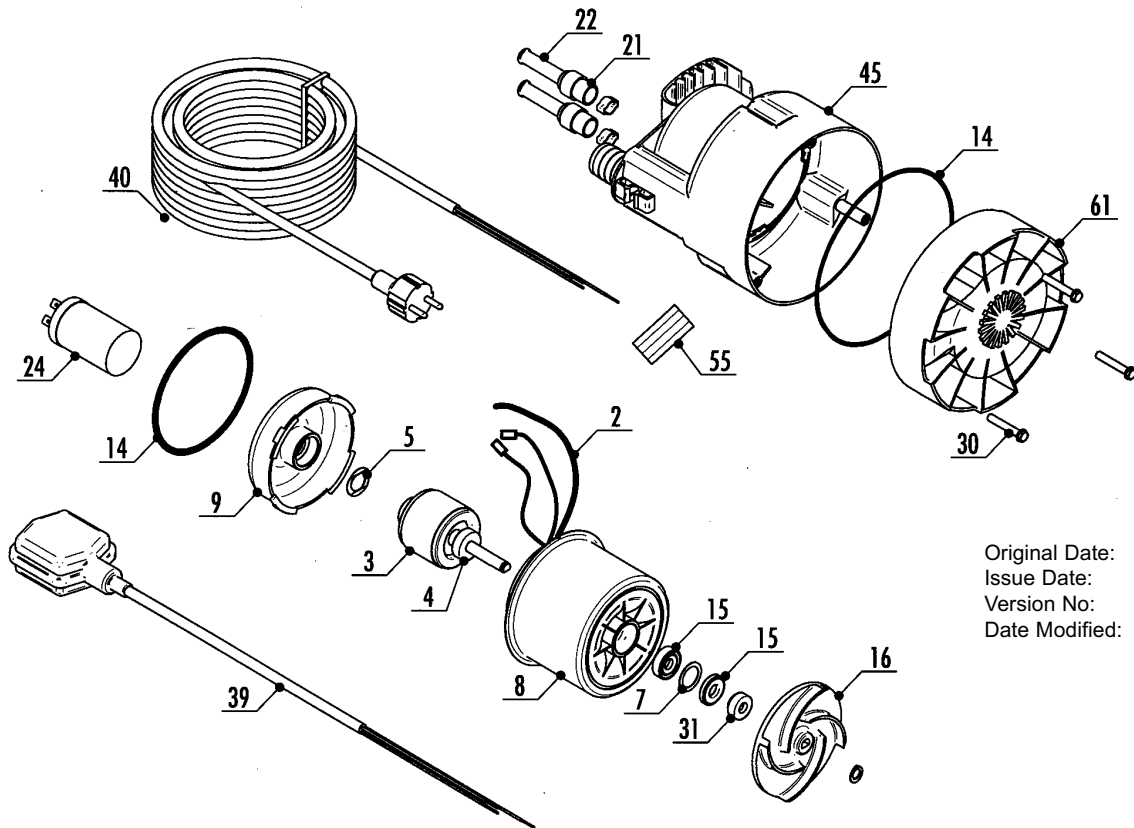
Signed by Mark Sweetman

7th August 2000

For Jack Sealey Ltd.
Sole importer into the UK
of Sealey Power Products.



INSTRUCTIONS FOR: WATER PUMP MODELS: SWP20, SWP20A



Original Date:
Issue Date:
Version No:
Date Modified:

Model SWP20

Item	Part No	Description
1	EL20004	BEARING
2	EL20007	OIL SEAL
3	EL10016	IMPELLER
4	EL10019	SUBMERSIBLE PUMP BODY
5	EL20024	CAPACITOR
6	EL10040	H 07 RNF CABLE SCHUKO PLUG
7	EL20061	ASPIRATION BASE
8	EL5001C	COMPLETE MOTOR
9	EL2014C	OR SEAL 129,40x1,78

Model SWP20A

Item	Part No	Description
1	EL20004	BEARING
2	EL20007	OIL SEAL
3	EL10016	IMPELLER
4	EL10019	SUBMERSIBLE PUMP BODY
5	EL20024	CAPACITOR
6	EL10039	FLOAT SWITCH
7	EL10040	H 07 RNF CABLE SCHUKO PLUG
8	EL10061	ASPIRATION BASE
9	EL1001C	MOTOR
10	EL2014C	OR SEAL 129,40x1,78

NOTE: It is our policy to continually improve products and as such we reserve the right to alter data, specifications and component parts without prior notice. **IMPORTANT:** No liability is accepted for incorrect use of product. **WARRANTY:** Guarantee is 12 months from purchase date, proof of which will be required for any claim. **INFORMATION:** Call us for a copy of our latest catalogue and promotions on 01284 757525 and leave your full name and address including postcode.

SEALEY POWER PRODUCTS Sole UK Distributor,
Sealey Group, Bury St. Edmunds, Suffolk.

01284 757500

01284 703534

sales@sealey.co.uk

www.sealey.co.uk