



CALIBRATED 3/8"SQ DRIVE INSULATED TORQUE WRENCH 12-60NM

MODEL NO: **STW803**

Thank you for purchasing a Sealey product. Manufactured to a high standard, this product will, if used according to these instructions, and properly maintained, give you years of trouble free performance.

IMPORTANT: PLEASE READ THESE INSTRUCTIONS CAREFULLY. NOTE THE SAFE OPERATIONAL REQUIREMENTS, WARNINGS & CAUTIONS. USE THE PRODUCT CORRECTLY AND WITH CARE FOR THE PURPOSE FOR WHICH IT IS INTENDED. FAILURE TO DO SO MAY CAUSE DAMAGE AND/OR PERSONAL INJURY AND WILL INVALIDATE THE WARRANTY. KEEP THESE INSTRUCTIONS SAFE FOR FUTURE USE.



Refer to instructions

1. SAFETY

- ✓ Ensure all workshop safety rules, regulations, and conditions are complied with when using torque wrench.
- ✓ Maintain the wrench in good condition and replace any damaged or worn parts. Use genuine parts only. Non-authorized parts may be dangerous and will invalidate the warranty.
- ✓ The wrench is a precision tool, **DO NOT** abuse it.
- ✓ Maintain correct balance and footing. Ensure the floor is not slippery and wear non-slip shoes.
- ✓ Keep children and unauthorised persons away from the working area.
- ☐ **WARNING! DO NOT** use the wrench if damaged or thought to be faulty. (Contact Service Agent).
- * **DO NOT** drop or throw the wrench.
- * **DO NOT** use wrench unless you have been instructed in its use by a qualified person.
- * **DO NOT** use any cleaner which might affect the high pressure grease with which the wrench is packed.
- ✓ After use adjust to lowest torque setting (but not below), clean and store in a safe, dry, childproof location.

2. INTRODUCTION

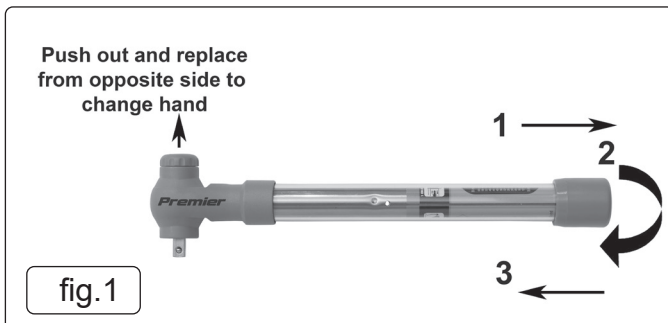
Chrome Vanadium steel reversible 60-tooth ratchet head. Impact resistant polycarbonate tubing combined with injection moulded nylon thermoplastic for total insulation. Calibration tolerance in accordance with BS EN ISO 6789:2017. Accuracy of $\pm 1\%$ at 21°C. Easy-to-read dual scale graduated in both Nm and lb.ft. Cold and heat resistant – minus 40°C to 70°C. Fully insulated to BS EN IEC 60900:2018 to protect from electric shocks up to 1500V DC and 1000V AC. Ideal for technicians working on modern hybrid and electrical vehicles (1500V DC safe live working). Includes test and calibration certificate.

3. SPECIFICATION

Model.....	STW803
Drive	3/8" Sq
Length.....	350mm
Range	12-60Nm

4. OPERATION

- 4.1. SETTING TORQUE VALUE**
- 4.1.1. Hold torque wrench in one hand so that required scale is uppermost and visible.
 - 4.1.2. Pull the adjusting ring down (fig.1.1) and rotate it.
 - 4.1.3. Turn the ring clockwise (fig.1.2) to increase the setting and anticlockwise to reduce it.
 - 4.1.4. When the required value is set, push the ring back up (fig.1.3) to disengage the adjustment mechanism.
 - 4.1.5. To switch from right to left hand operation, push the driving head (fig.1) out of the housing and replace it into the opposite side of the tool.
 - 4.1.6. When tightening the nut/bolt you will feel and hear the wrench mechanism click when the set torque is reached. Immediately stop applying force to the wrench to avoid over-tightening the nut/bolt.





ENVIRONMENT PROTECTION

Recycle unwanted materials instead of disposing of them as waste. All tools, accessories and packaging should be sorted, taken to a recycling centre and disposed of in a manner which is compatible with the environment. When the product becomes completely unserviceable and requires disposal, drain any fluids (if applicable) into approved containers and dispose of the product and fluids according to local regulations.

Note: It is our policy to continually improve products and as such we reserve the right to alter data, specifications and component parts without prior notice.

Important: No Liability is accepted for incorrect use of this product.

Warranty: Guarantee is 12 months from purchase date, proof of which is required for any claim.

Sealey Group, Kempson Way, Suffolk Business Park, Bury St Edmunds, Suffolk. IP32 7AR



01284 757500



01284 703534



sales@sealey.co.uk



www.sealey.co.uk