



TWO LEVEL TYRE RACK 200KG PER LEVEL

MODEL NO: **STR600**

INCORPORATING TWO LEVEL TYRE RACK EXTENSION 200KG PER LEVEL MODEL NO: **STR600E**

Thank you for purchasing a Sealey product. Manufactured to a high standard, this product will, if used according to these instructions, and properly maintained, give you years of trouble free performance.



Refer to instructions



Wear gloves



Wear safety footwear

IMPORTANT: PLEASE READ THESE INSTRUCTIONS CAREFULLY. NOTE THE SAFE OPERATIONAL REQUIREMENTS, WARNINGS & CAUTIONS. USE THE PRODUCT CORRECTLY AND WITH CARE FOR THE PURPOSE FOR WHICH IT IS INTENDED. FAILURE TO DO SO MAY CAUSE DAMAGE AND/OR PERSONAL INJURY AND WILL INVALIDATE THE WARRANTY. KEEP THESE INSTRUCTIONS SAFE FOR FUTURE USE.

1. SAFETY

- WARNING!** Ensure Health & Safety, and local authority regulations are adhered to when assembling and using this racking system.
- ✓ Locate the racking in a suitable area where it will not be an obstruction.
- ✓ Keep the general area clean, uncluttered and ensure there is adequate lighting.
- WARNING!** Erect the racking on a level and solid surface such as concrete.
- ✓ Keep children and unauthorised persons away from the storage area.
- * **DO NOT** use the racking for any purpose other than that for which they are designed.
- * **DO NOT** site the racking out of doors.
- * **DO NOT** get the racking wet or use in damp or wet locations or areas where there is condensation.
- * **DO NOT** clean the cross beams with any solvents which may damage the coated surface.
- ✓ Ensure that the racking is properly assembled before loading with heavy tyres.
- ✓ Maximum load for each shelf is 200kg. Load must be evenly distributed.
- ✓ Where possible the unit should be fixed to the wall with suitable fixings.
- ✓ Place heavier items on the lower racks.
- ✓ Where possible heavier items should be evenly distributed across the racks.

2. INTRODUCTION

Racking unit with cross beams. 200kg capacity per level. Designed for direct loading of small storage pallets.

3. SPECIFICATION

Model No: **STR600**
 Overall size: 1950 x 455 x 2000mm
 Maximum capacity:..... 400kg (200kg/level)
 Beam width: 1840mm

4. CONTENTS

Carefully unpack the product and check the contents (fig.1) against the list below. Should any items be missing or damaged, immediately contact your Sealey stockist.

Part Description:	Qty
A Upright:	4
B Horizontal Brace:	4
C Diagonal Brace:	6
D Spacer:	4
E Rubber Foot:	not supplied with this model
F Bolt M6 x 45mm:	12
G Nut M6:	12
H Locking Pin:	12
I Cross Beam:	6

5. ASSEMBLY

- WARNING!** Before assembly and use, ensure you have read, understood and apply Section 1 safety instructions.
- 5.1.** It is recommended that this tyre racking system be assembled by two people. When installing the cross beams it is advisable to use a rubber mallet. **DO NOT** use a hard faced hammer as this will damage the surface finish of the cross beams. Make sure that all the clips lock in place securely and safety bolts are fitted before using the unit. **DO NOT** use any parts that are damaged and/or distorted as these may assemble incorrectly and result in an installation that is unsafe and which may cause injury or damage when the shelves are loaded.

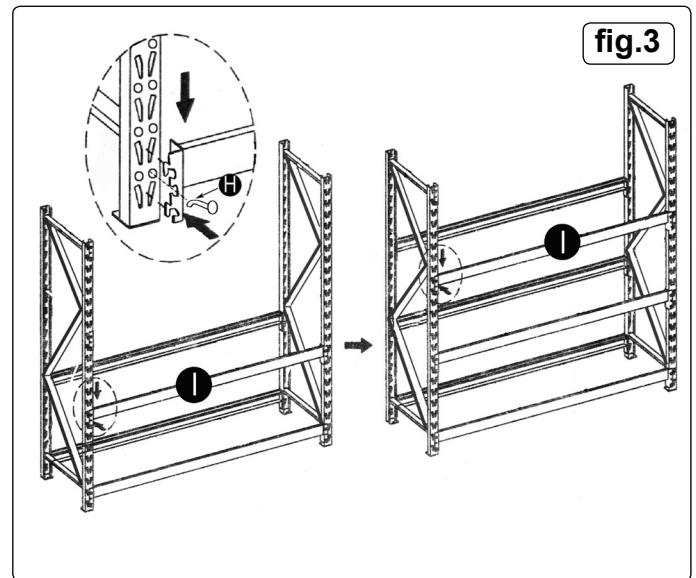
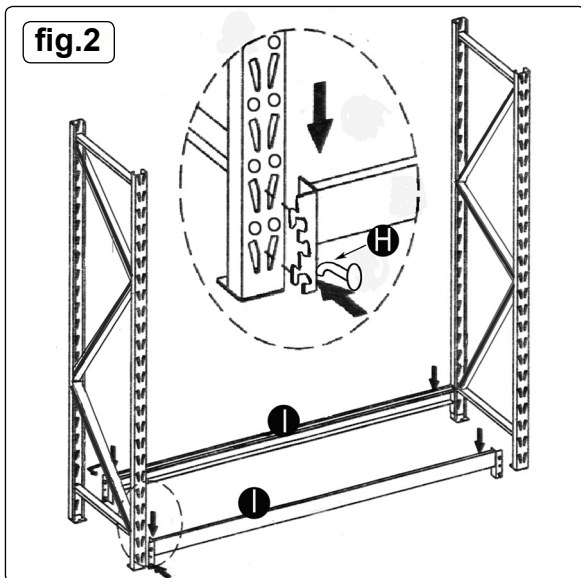
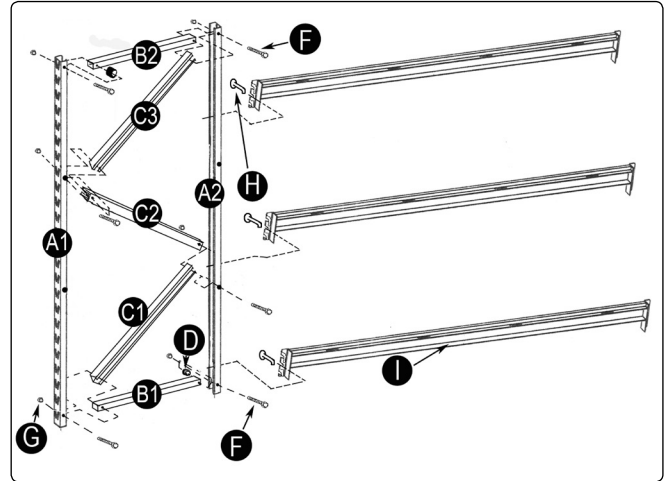


5.2. ASSEMBLING THE END FRAMES: Refer to (fig.1).

- 5.2.1. Place the uprights (A1 & A2) on the floor with the inner edges facing each other.
- 5.2.2. Take one horizontal brace (B1) and one spacer (D). Insert into the upright (A2) at the base area drilled hole and loosely secure using a M6 x 45mm bolt (F) and a M6 nut (G).
- 5.2.3. Place the other upright (A1) so that the horizontal brace (B1) aligns with the base area drilled hole. Take one of the diagonal braces (C1) and insert into the upright (A1) so that the hole aligns with the hole in the horizontal brace (B1) and the drilled hole in the upright (A1). Loosely secure using a M6 x 45mm bolt (F) and a M6 nut (G).
- 5.2.4. Align the other end of the diagonal brace (C1) with the corresponding hole in the opposite upright (A2). Take another diagonal brace (C2) and align with the same hole on diagonal brace (C1) and on the upright (A2). Loosely secure using a M6 x 45mm bolt (F) and a M6 nut (G).
- 5.2.5. Align the other end of the second diagonal brace (C2) with the corresponding hole in the opposite upright (A1). Take a third diagonal brace (C3) and align with the second diagonal brace (C2). Loosely secure both to the upright (A1) using a M6 x 45mm bolt (F) and a M6 nut (G).
- 5.2.6. Align the remaining end of diagonal brace (C3) with the top hole of the opposite upright (A2). Place a horizontal brace (B2) aligned with the diagonal brace (C3) and across to the opposite upright (A1). Loosely secure the end of horizontal brace (B2), along with the diagonal brace (C3) to the upright (A2) using a M6 x 45mm bolt (F) and a M6 nut (G). Align the other end of the horizontal brace (B2) with the top hole of the upright (A1). Place a spacer in the gap and loosely secure with a M6 x 45mm bolt (F) and a M6 nut (G).
- 5.2.7. Check that the assembled frame is square and tighten all the fasteners. Repeat the procedure for the second frame assembly.

5.3. FITTING THE CROSS BEAMS: Refer to (fig.2).

- 5.3.1. Support one end frame in a vertical position and attach the end of one cross beam (I) to it at the base of one of the uprights (A). Ensure that both tags on the end bracket engage properly with the slots in the upright as shown in the inset diagram. Tap the cross beam gently next to the end bracket so that the beam is properly seated into the slots in the upright. Insert the locking pin (H) so that it is against the beam. Connect the other end of the beam to the second end frame at the same height, tap into place and secure with a locking pin (H).
- 5.3.2. Attach another cross beam (I) to the other side of the end frames ensuring that it is at the same level as the first cross beam.
- 5.3.3. See (fig.3). Continue to assemble the next two pairs of cross beams (I) at the heights required. The end frames allow adjustment in 2" increments. Each pair of beams must be mounted at the same height. Ensure that all tabs on the cross beam brackets are fully engaged in the slots in the uprights and that the cross beams are properly tapped down into place then secured with a locking pin (H).
- 5.3.4. Extra components are available to create extra storage racks as required (see Section 3).



TWO LEVEL TYRE RACK EXTENSION 200KG CAPACITY PER LEVEL MODEL NO: STR600E

6. INTRODUCTION

Extension unit for Model No. STR600. Supplied as three pairs of cross beams and a single upright in order to reduce cost when looking to build multiple tyre racks. Stores up to 26 tyres, 13 per level, with a total capacity of 400kg (200kg/Level) when used with Model No. STR600.

7. SPECIFICATION

Model No:.....STR006E
 Overall size (W x D x H):.....1950 x 455 x 2000mm
 Maximum capacity:.....400kg (200kg/level)
 Beam width:.....1840mm

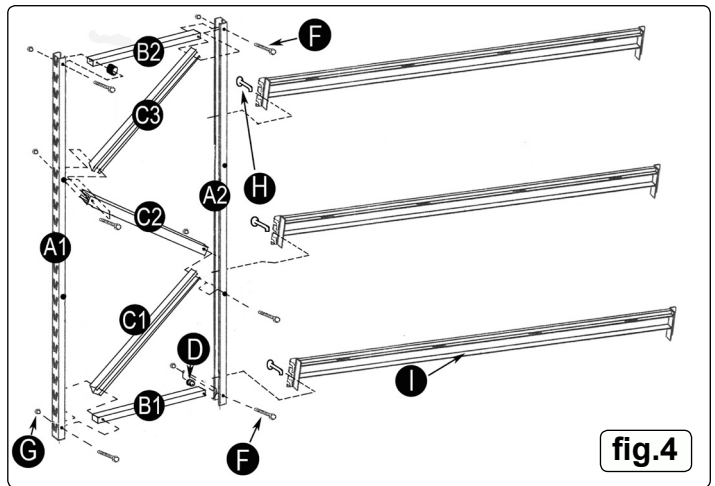
8. CONTENTS

Carefully unpack the product and check the contents against the list below. Should any items be missing or damaged, immediately contact your Sealey stockist.

Part Description:	Qty
A Upright:	2
B Horizontal Brace:	2
C Diagonal Brace:	3
D Spacer:	2
E Rubber Foot:	not supplied with this model
F Bolt M6 x 45mm:	6
G Nut M6:	6
H Locking Pin:	12
I Cross Beam:	6

9. ASSEMBLY

- Warning! Before assembly and use ensure you have read, understood and apply Section 1 safety instructions.



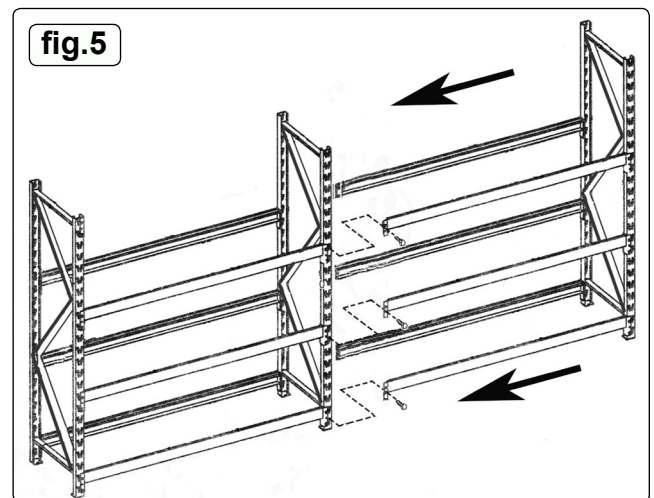
- 9.1. It is recommended that this tyre racking system be assembled by two people. When installing the cross beams it is advisable to use a rubber mallet. **DO NOT** use a hard faced hammer as this will damage the surface finish of the cross beams. Make sure that all the clips lock in place securely and safety bolts are fitted before using the unit. **DO NOT** use any parts that are damaged and/or distorted as these may assemble incorrectly and result in an installation that is unsafe and which may cause injury or damage when the shelves are loaded.

9.2. ASSEMBLING THE END FRAMES: Refer to (fig.4).

- 9.2.1. Place the uprights (A1 & A2) on the floor with the inner edges facing each other and the rubber feet at the base.
- 9.2.2. Take one horizontal brace (B1) and one spacer (D). Insert into the upright (A2) at the base area drilled hole and loosely secure using a M6 x 45mm bolt (F) and a M6 nut (G).
- 9.2.3. Place the other upright (A1) so that the horizontal brace (B1) aligns with the base area drilled hole. Take one of the diagonal braces (C1) and insert into the upright (A1) so that hole aligns with the hole in the horizontal brace (B1) and the drilled hole in the upright (A1). Loosely secure using a M6 x 45mm bolt (F) and a M6 nut (G).
- 9.2.4. Align the other end of the diagonal brace (C1) with the corresponding hole in the opposite upright (A2). Take another diagonal brace (C2) and align with the same hole on diagonal brace (C1) and on the upright (A2). Loosely secure using a M6 x 45mm bolt (F) and a M6 nut (G).
- 9.2.5. Align the other end of the second diagonal brace (C2) with the corresponding hole in the opposite upright (A1). Take a third diagonal brace (C3) and align with the second diagonal brace (C2). Loosely secure both to the upright (A1) using a M6 x 45mm bolt (F) and a M6 nut (G).
- 9.2.6. Align the remaining end of diagonal brace (C3) with the top hole of the opposite upright (A2). Place a horizontal brace (B2) aligned with the diagonal brace (C3) and across to the opposite upright (A1). Loosely secure one end of horizontal brace (B2), along with the diagonal brace (C3) to the upright (A2) using a M6 x 45mm bolt (F) and a M6 nut (G). Align the other end of the horizontal brace (B2) with the top hole of the upright (A1). Place a spacer in the gap and loosely secure with a M6 x 45mm bolt (F) and a M6 nut (G).
- 9.2.7. Check that the assembled frame is square and tighten all the fasteners.

9.3. FITTING THE CROSS BEAMS: Refer to (fig.5).

- 9.3.1. Support one end frame in a vertical position and attach the end of one cross beam (I) to it at the base of one of the uprights (A). Ensure that both tags on the end bracket engage properly with the slots in the upright. Tap the cross beam gently next to the end bracket so that the beam is properly seated into the slots in the upright. Insert the locking pin (H) so that it is against the beam. Connect the other end of the beam to the second end frame at the same height, tap into place and secure with a locking pin (H).
- 9.3.2. Attach another cross beam (I) to the other side of the end frames ensuring that it is at the same level at the first cross beam.
- 9.3.3. Continue to assemble the next two pairs of cross beams (I) at the heights required. The end frames allow adjustment in 2" increments. Each pair of beams must be mounted at the same height. Ensure that all tabs on the cross beam brackets are fully engaged in the slots in the uprights and that the cross beams are properly tapped down into place then secured with a locking pin.



ENVIRONMENT PROTECTION

Recycle unwanted materials instead of disposing of them as waste. All tools, accessories and packaging should be sorted, taken to a recycling centre and disposed of in a manner which is compatible with the environment. When the product becomes completely unserviceable and requires disposal, drain any fluids (if applicable) into approved containers and dispose of the product and fluids according to local regulations.

Note: It is our policy to continually improve products and as such we reserve the right to alter data, specifications and component parts without prior notice.

Important: No Liability is accepted for incorrect use of this product.

Warranty: Guarantee is 12 months from purchase date, proof of which is required for any claim.

Sealey Group, Kempson Way, Suffolk Business Park, Bury St Edmunds, Suffolk. IP32 7AR



01284 757500



01284 703534



sales@sealey.co.uk



www.sealey.co.uk