



MOWER/TRACTOR HYDRAULIC LIFT 340KG CAPACITY

MODEL NO: **STML340**

Thank you for purchasing a Sealey product. Manufactured to a high standard, this product will, if used according to these instructions, and properly maintained, give you years of trouble free performance.

IMPORTANT: PLEASE READ THESE INSTRUCTIONS CAREFULLY. NOTE THE SAFE OPERATIONAL REQUIREMENTS, WARNINGS & CAUTIONS. USE THE PRODUCT CORRECTLY AND WITH CARE FOR THE PURPOSE FOR WHICH IT IS INTENDED. FAILURE TO DO SO MAY CAUSE DAMAGE AND/OR PERSONAL INJURY AND WILL INVALIDATE THE WARRANTY. KEEP THESE INSTRUCTIONS SAFE FOR FUTURE USE.



Refer to
instructions



Wear safety
footwear



No reaching in



Wear eye
protection



Wear protective
gloves

1. SAFETY

- ✓ The user shall work in accordance with the instruction handbook.
- **WARNING!** Ensure that the load is adequately secured to the lifting platform with appropriate straps before raising the load.
- **WARNING! DO NOT** work under the load until appropriately rated adequate means of support have been correctly positioned.
- ✓ Maintain the lift in good condition (use an authorised service agent).
- ✓ Replace or repair damaged parts. Use genuine parts only. Unauthorised parts may be dangerous and will invalidate the warranty.
- ✓ Use a qualified person to lubricate and maintain the lift. **DO NOT** use brake fluid to top up hydraulic unit.
- ✓ Locate the lift in a suitable work area, keep area clean and tidy and free from unrelated materials, and ensure that there is adequate lighting. Also ensure that the floor is level and strong enough (preferably concrete) to take the weight of the lift and the lawn mower. **DO NOT** operate the lift on tarmac, as the surface may be unstable.
- ✓ Keep clear of load while lifting and lowering.
- ✗ **DO NOT** move while loaded.
- ✗ **DO NOT** adjust safety valve.
- ✓ Keep the lift clean for best and safest performance.
- ✓ It is necessary that the operator can watch the lifting device and the load during all movements.
- ✓ The maximum load weight is 340kg. **DO NOT** exceed this rated capacity.
- ✓ Remove ill fitting clothing. Remove ties, watches, rings and other loose jewellery, and contain long hair. Wear ANSI-approved safety goggles and heavy duty work gloves during use.
- ✓ Maintain correct balance and footing, **DO NOT** over reach. Ensure the floor is not slippery and wear non-slip shoes.
- ✓ Before lifting check that there are no overhead obstructions.
- ✓ When platform has been raised to the working height ensure the locking pin is engaged to prevent accidental lowering.
- ✓ Keep children and unauthorised persons away from the work area.
- ✓ The lowering speed will vary according to the weight of the load and the setting of the release valve.
- ✓ To avoid injury, be fully aware of your own and other persons locations in relation to the lifting, and lowering, of the load.
- ✗ **DO NOT** use the lift for a task it is not designed to perform.
- ✗ **DO NOT** operate the lift if damaged.
- ✗ **DO NOT** operate the lift when you are tired or under the influence of alcohol, drugs or intoxicating medication.
- ✗ **DO NOT** allow untrained persons to operate the lift.
- ✗ **DO NOT** make any modifications to the lift and **DO NOT** adjust or tamper with the safety valve.
- ✗ **DO NOT** sit or stand on the lift or hold onto it when it is being raised or lowered.
- ✗ **DO NOT** position any part of your body beneath the load.
- ✗ **DO NOT** attempt to raise the lift using manual strength.
- ✗ **DO NOT** allow anyone to stand near the interior frame of the lift whilst raising or lowering.
- ✗ **DO NOT** use the ram alone to maintain a raised load. **ALWAYS** confirm the locking pins are engaged.
- ✗ **DO NOT** work under the raised load until it is secured by suitable means.
- ✗ **WARNING!** Prohibition of lifting of persons. The lift is not for lifting people.
- ✗ **WARNING!** When using outside be aware of environmental conditions which might affect operation.
- ✓ Before lowering the lift ensure that there are no obstructions underneath and that all persons are standing clear.
- ✓ The operator shall be provided with all necessary information about training and about pumping and translating forces.
- ✓ If more than 400N of effort is generated in lifting, the load shall be lowered by an additional person.
- ✓ Before storing in safe area, ensure all parts are clean and free of grease and oil. Store lift in the lowest position.
- ✓ Life time of the jack. Maintain well and use within specification and will give many years of service.
- **WARNING!** The Warnings, Cautions and Instructions referred to in this manual cannot cover all possible conditions and situations that may occur. It must be understood that common sense and caution are factors which cannot be built into this product, but must be applied by the operator.
- ✓ The hydraulic lift is only designed to lift either the front or the rear of the machine only.

2. INTRODUCTION

Safely lifts most ZTR, Ride/Stand on Mowers, XL Walk Behind Mowers, Garden Tractors, ATV, UTV, Golf Carts and more. A 610mm lifting height allows plenty of room under the machine for repairs, maintenance and cleaning. The lift has three heights it can be locked in, whilst your machine is worked on. Supports axle widths between 914mm to 1283mm with five locking positions. The forks have an adjustable wheel circumference base with five locking positions. Max. tyre size (W x Ø): 254 x 660mm. A kick pedal to the rear of the lift makes it easy to tilt it on to its heavy-duty wheels, for transporting or positioning. Made with a strong steel frame and coated in an industrial grey finish, making it designed and built to last.

2.1. IDENTIFICATION:
 Sealey Power Products,
 Kempson Way,
 Suffolk Business Park,
 Bury St Edmunds,
 Suffolk,
 IP32 7AR.

Model No: STML340

3. SPECIFICATION

Model No:	STML340 (Standard EN1494)
Max Lifting Height:	610mm
Axle Widths:	914 to 1283mm
Max Tyre Size:	W-254 x Ø-660mm
Nett Weight:	37.8kg
Footprint:	1030mm (Front to Back) 825mm-960mm (High)

4. ASSEMBLY

4.1. Read the entire **IMPORTANT SAFETY INFORMATION** section at the beginning of this document including all text under subheadings therein before set up or use of this product.

- ✓ The numbers refer to the parts list for the build.
- ✓ Keep assembly area clean and well lit.
- ✓ Keep bystanders out of the area during assembly.
- * **DO NOT** assemble when tired or when under the influence of alcohol, drugs or medication.

- 4.1.1. Place Steel Base Frame (27) flat on a horizontal surface. Place the Upright Frame (Lower) (20) and the Foot Pedal (9) onto the wheeled end of the Steel Base Frame (27) align the bolt holes. (See fig.2).
- 4.1.2. Secure the Upright Frame (Lower) (20) to the Steel Base Frame (27) using Hex Head Bolt (33), Flat Washer (8), Spring Washer (28), and Steel Nut (29). (See fig.2).
- 4.1.3. Place Bottle Jack (16) on the top of upright Frame (Lower) (20) align the holes. Secure in place using Socket Cap Bolt (17). (See fig.2).
- 4.1.4. Attach Lift Rotate Frame (22) to Upright Frame (Lower) (20). Push Pin for support brace (25) through the Upright Frame (Lower) (20) and Lift Rotating Frame (22). Place Support Brace (21) to connect the Steel Base Frame (27) and the Lift Rotating Frame (22). Align the bolt holes. Place Flat Washer (8) over each end of Pin for Support Brace (25). Secure each end of Pin for Support Brace (25) with R-Clip (1). (See fig.3).
- 4.1.5. Move the two Safety Lock Lever (34) to the unlocked position, keeping the Lift Rotating Frame level. Place the rotating Frame (Upper) (12) onto the Lift Rotating Frame (22) as shown. Align the holes. Slide Pin (10) through Lift Rotating Frame (22) and follow Rotating Frame (Upper) (12). Place Flat Washer (8) over each end of the Pin (10). Secure each end of the Pin (10) with Small R-Clip (1). (See fig.1).
- 4.1.6. Attach the Lift Rotating Frame (22) onto Rotating Frame (Upper) (12) to the Upright Frame (Lower) (20). Secure in place using Flat Washer (8) and Small R-Clip (9). (See fig.2 and 4).
- 4.1.7. Place Jack Lifting Frame (14) onto the Bottle Jack (16). (See fig 5). Slide Pin (15) through Jack Lifting Frame (14) and Bottle Jack (16). (See fig.5). Place Flat Washer (8) over each end of the Pin (10). (See fig.4). Secure each end of the Pin (10) with Foot Pedal (9). (See fig.1).
- 4.1.8. Attach the Lift Rotating Frame (22) to Jack Lifting Frame (14) to Lift Rotating Frame (22). (As shown in fig.4). Secure in place using Hex Head Bolt (23) and Nyloc Nut (24). (See fig.5).
- 4.1.9. Insert Extension Beam (6) fig.6 through the bracket on the Follow Rotating Frame (Upper) (12). (See fig.1). Insert Extension Beam Pin (11) through center of bracket. (See fig.1). Secure the Extension Beam Pin (11) with Foot Pedal (9). (See fig.1).
- 4.1.10. Slide one Wheel Bracket Fork (4) over each end of the Extension beam (6). Insert Locking Pin (Angled) (5) to secure them in place. (See fig.6).
- 4.1.11. Insert the Handle for Bottle jack (18) into the Bottle Jack (16). (See fig.6).

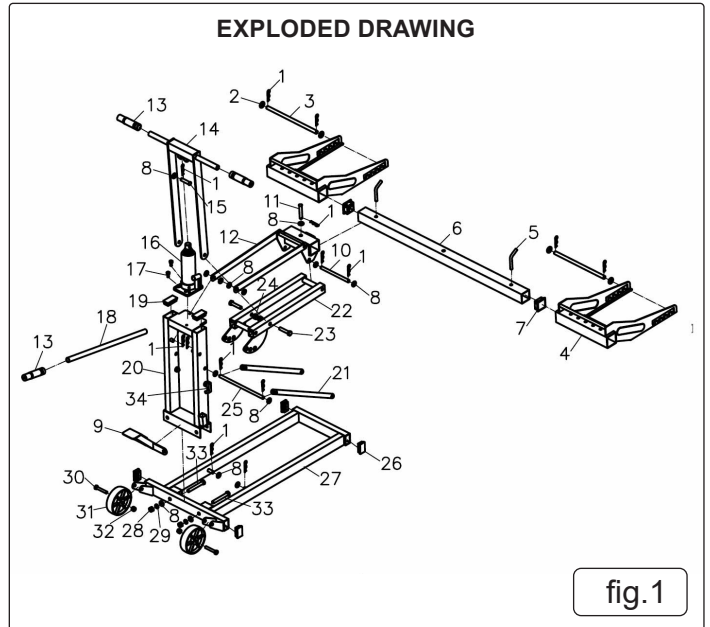


fig.1

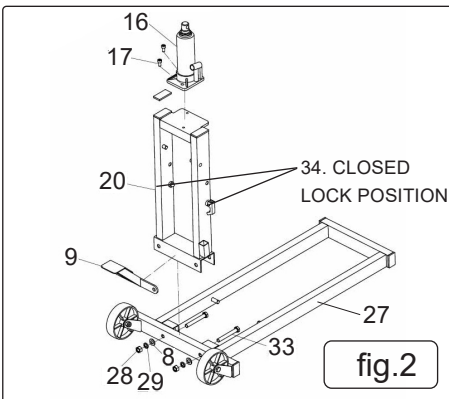


fig.2

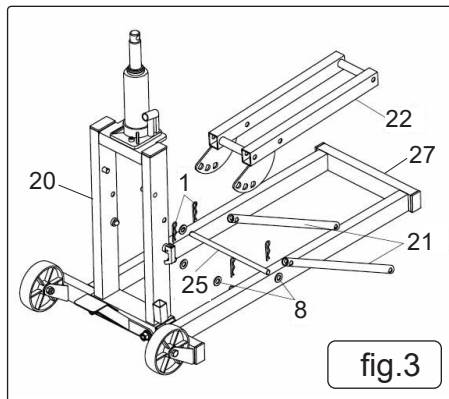


fig.3

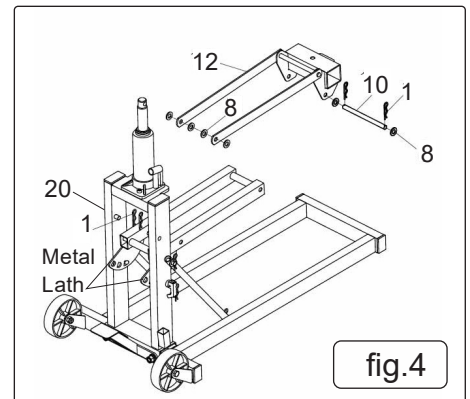


fig.4

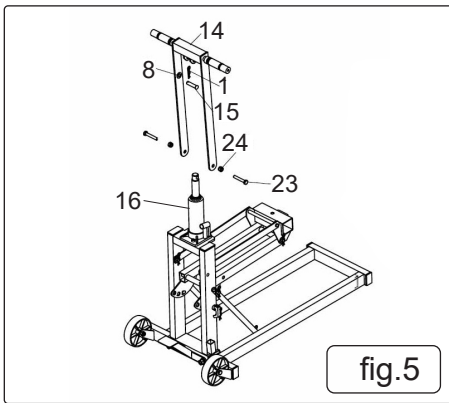


fig.5

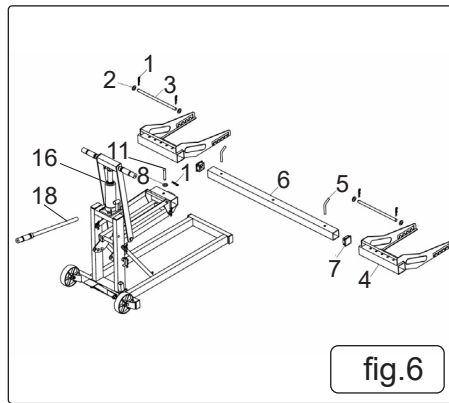


fig.6

5. OPERATION

- ❑ **WARNING!** Ensure that you read, understand and apply the safety instructions before use.
- ❑ **WARNING! DO NOT** overload the lift.

5.1. BLEEDING

IMPORTANT! Before first use, check for proper hydraulic fluid level in the ram. Thoroughly test the jack for proper operation prior to use. If the jack appears not to be working properly, it may be necessary to bleed it's hydraulic system of excess air.

- 5.1.1. Remove the bottle jack from the ATV/Mover lift.
- 5.1.2. Locate the oil fill plug on the side of the bottle jack and remove it. Drain the old oil from the hydraulic system.
- 5.1.3. Top up the hydraulic system using hydraulic oil and replace the oil fill plug after.
- 5.1.4. Test the jack several times for proper operation before attempting to lift a load. If the jack still does not appear to be working properly after bleeding, **DO NOT USE** the jack until it has been repaired by a qualified service technician.

5.1.5. LIFTING

- ❑ **WARNING!** Set jack and vehicle on a flat, level, hard, ground surface safely away from oncoming traffic. Turn off vehicles engine. Also place the vehicle's transmission in 'Park' (if automatic) or in it's lowest gear (if manual). Set the vehicles emergency brake. Then, chock the wheels that are not being lifted.
- 5.1.6. Determine the wheel width of the ATV/mower, and adjust the wheel bracket supports to match that width. Lock them in place using the width pins. **WARNING!** Adjust them so they are equally spaced from the center of the jack. Failing that the jack will be unstable and might tip.
 - 5.1.7. Examine the bottom of each ATV/mower wheel that is touching the floor. Adjust the depth of both wheel brackets to be slightly larger than that distance of the wheels.
 - 5.1.8. Turn the release valve counter-clockwise to lower the jack. Once the jack is fully lowered, turn the release valve clockwise completely.
 - 5.1.9. Use the ATV/mower's steering to straighten it's wheels. Use wheel chocks (sold separately) to block the wheels on the opposite end of the mower/ATV.
 - 5.1.10. Press the front of the wheel brackets straight against the front of the ATV/mower's wheels. Push the wheel brackets under the wheels until both wheels rest in the center of the wheel bracket.
 - 5.1.11. Place the two safety lock levers, refer to (34) in the closed, locked position to enable the locking mechanism. (See fig.2).
 - 5.1.12. Pump the handle, use smooth, full strokes for best results.
 - 5.1.13. Raise the vehicle to the desired height. As the load is lifted the locking mechanism will automatically engage to lock the lift arm in one of three positions.
 - 5.1.14. Make sure the lift arm is locked in one of the three available positions before working on the ATV/mower.

5.2. LOWERING

- 5.2.1. Remove all tools, parts, etc. From under the vehicle.
- 5.2.2. Pump the handle slightly to remove weight from the locking mechanism.
- 5.2.3. Keep clear and slowly turn the hydraulic release valve counter-clockwise to lower the ATV/mower lift.
- 5.2.4. Once the jack is completely lowered, remove it from under the ATV/mower lift.
- 5.2.5. When not in use, store jack in a safe, dry location out of reach of children.

5.3. TRANSPORTATION, HANDLING OF THE MACHINE

- 5.3.1. The unit has two rear wheels that you tip the frame back onto to move.

6. MAINTENANCE

Procedures not specifically explained in this manual must be performed only by a qualified technician.

- ❑ **WARNING!** When refilling the hydraulic system, the characteristics of the hydraulic fluid used in the jack and the level of the hydraulic fluid as it is given by the manufacturer shall be observed. Jacks shall be maintained and repaired in accordance with the manufactures instructions. Such maintenance and repair shall be carried out by qualified persons. No modifications shall be carried out which adversely affect the compliance of the jack with this standard.
 - ❑ **WARNING!** To prevent serious injury from accidental operation: **DO NOT** use damaged equipment.
- 6.3.1. If abnormal noise or vibration occurs, have the problem corrected before further use.

6.1. CLEANING, MAINTENANCE, AND LUBRICATION

6.1.1. Before each use, inspect the general condition of the jack. Check for:

- Broken, cracked, or bent parts.
 - Loose or missing parts.
 - Any other condition that may affect it's safe operation. If a problem occurs, have the problem corrected before further use.
- × **DO NOT** use damaged equipment.
 - ✓ Before each use, thoroughly test the jack for proper operation prior to it's actual use. If the jack appears not to be working properly, follow bleeding instructions in section 5.1.
 - ✓ Change the hydraulic fluid at least once every three years.
 - A. With the jack fully lowered, remove the fluid fill plug on the side of the ram housing.

- B. With assistance, tip the jack to allow the old hydraulic fluid to drain out of the ram housing completely, and dispose of the old hydraulic fluid in accordance with local regulations.
 - C. With the jack upright, completely fill the ram housing with a high quality hydraulic fluid (not included) until the fluid just begins to run out of the fluid fill hole.
 - D. Then reinstall the fluid fill plug.
- ✓ Clean with a clean cloth with a detergent or mild solvent. Store the jack in a safe, dry location out of reach of children.

7. TROUBLESHOOTING

- ❑ **WARNING!** To prevent serious injury: Use caution when troubleshooting a malfunctioning jack. Stay well clear of the supported load. Completely resolve all problems before use. If the solutions presented in the troubleshooting guide **DO NOT** resolve the problem, have a qualified technician inspect and repair the jack before use. After the jack is repaired: Test it carefully without a load by raising it and lowering it fully, checking for proper operation, before returning the jack to operation.
- ✖ **DO NOT** use a damaged or malfunctioning jack.
- ✓ See trouble shooting table below.

POSSIBLE SYMPTOMS					PROBABLE SOLUTIONS (make certain that the jack is not supporting a load while attempting a solution).
Jack will not lift	Lift arm lowers under pressure	Pump stroke feels tight	Lift arm will not lift all the way	Fluid leaking from fill	
●	●				Check the release valve and turn clockwise completely.
●	●				Valves may be blocked and may not close fully. To flush the valves, with assistance: 1. Lower the lift arm. 2. Manually lift the lift arm several inches. 3. Turn the release valve counter-clockwise completely, to lower quickly.
●		●	●		Ram may be low on fluid. Check the fluid level and refill if needed. Ram may require bleeding.
				●	Unit may have too much hydraulic fluid inside. Check fluid level and adjust if necessary.



ENVIRONMENT PROTECTION

Recycle unwanted materials instead of disposing of them as waste. All tools, accessories and packaging should be sorted, taken to a recycling centre and disposed of in a manner which is compatible with the environment. When the product becomes completely unserviceable and requires disposal, drain any fluids (if applicable) into approved containers and dispose of the product and fluids according to local regulations.



NOTE: It is our policy to continually improve products and as such we reserve the right to alter data, specifications and component parts without prior notice.

IMPORTANT: No Liability is accepted for incorrect use of this product.

WARRANTY: Guarantee is 12 months from purchase date, proof of which is required for any claim.

Sealey Group, Kempson Way, Suffolk Business Park, Bury St Edmunds, Suffolk. IP32 7AR



01284 757500



sales@sealey.co.uk



www.sealey.co.uk