

Mobile Diesel and UREA/DEF Transport Dual Tank Kit DDU450



Thank you for purchasing this STM product. Manufactured to a high standard, this product if used according to instructions and properly maintained will give you years of trouble free performance.

IMPORTANT: Please read these instructions carefully. Note the safe operational requirements, warnings and cautions. Use the product correctly and with care for the purpose for which it is intended. Failure to do so may cause damage to the unit and/or person and will void any warranty. Keep these instructions safe for future use.



1. SAFETY:

WARNING! These tanks must only be used for diesel fuel (400L) and UREA/DEF (50L – Blue Tank)

- Place the tank on a flat surface for filling.
- Secure the tank to strong points with ratchet straps before transporting in or on a vehicle.
- Maintain the pump in good condition (use an authorised service agent).
- Replace or repair damaged parts. Use recommended parts only. None authorised parts may be dangerous and will void the warranty
- Keep the pump clean for best and safe performance.
- Ensure the power supply (vehicle battery) corresponds with the requirements of the pump (12V DC).
- Disconnect from battery when not in use.
- Keep children and none authorised persons away from the working area.
- DO NOT place the tank near any heat source.
- DO NOT start or stop the pump by connecting or disconnect- ing the battery clamps.
- DO NOT allow the unit to get wet.
- DO NOT operate the pump with wet hands.
- DO NOT use the pump where explosive or flammable vapours may be present.
- DO NOT tamper with the pump connections.

2. INTRODUCTION:

- Manufactured of HDPE for the safe transportation and dispensing of diesel fuel and UREA/DEF when supplying on site equipment.
- Complies to ADR 1.1.3.1.C for exemption from requirements of ADR regulations.
- Supplied with a 12V electric pump, 4m electric cable and clamps and a 4m delivery hose with automatic fuel nozzle.
- Can be safety secured and transported on a pick-up truck or van, using grooves for tie-down straps and 6 handles for positioning. Supplied with lockable cover.
- **NOT SUITABLE FOR PETROL.**

3. SPECIFICATION:

Diesel Tank 400L

Diesel pump DP40012..... 12V, 15A, 180W
 Duty cycle 30min on / 30min off
 Pump Flow rate 40LPM
 Nozzle Auto

UREA/DEF Tank 50L

Diaphragm pump GP17012 12V
 Duty cycle 30min on / 30min off
 Pump Flow rate 17LPM
 Nozzle Manual

Dimensions

(W x D x H) 1150 x 800 x 860mm

Net weight

68 kg

4. OPERATION:

4.1 TRANSPORT

- 4.1.1 Move the empty tank assembly with two persons using the hand holds moulded into the base of the unit (fig.3-8)
- 4.1.2 Move the forklift truck using the fork locations shown in (fig.3-7). Ensure that the filler (fig.3-1) is closed before moving.
- 4.1.3 Secure the tank to the carrying vehicle by ratchet straps. Locations for the straps are moulded into the tank. (fig.3-5).

4.2 FILLING

- 4.2.1 DO NOT run the pump without fuel in the tank. To do so will damage the pumps's internal components and will void your warranty.
- 4.2.2 The tank is filled by unscrewing the filler (fig.3-1) in and anticlockwise direction. Refit the filler cap immediately after filling.

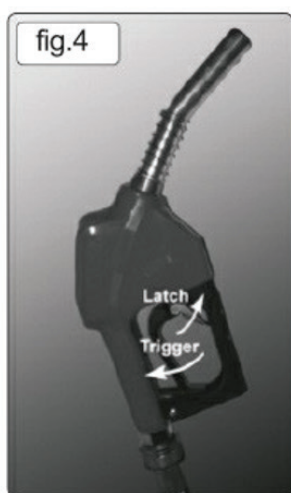
WARNING take care not to overfill the tank.

4.3 FUEL DISPENSING

- 4.3.1 Before connecting to a battery, make sure the pump switch (fig.5-2) is in the "off" (O) position. Connect the battery clips to the 12V battery, observing correct polarity (red clamp to + terminal, black clamp to - terminal).
- 4.3.2 Switch the pump switch to the 'on' (I) positions.
- 4.3.3 Unwind sufficient hose and place the nozzle (fig.4) in the receiving tank and pull the trigger open. DO NOT leave the nozzle unattended with the trigger latched open.
- 4.3.4 The trigger can be locked in one of three positions by engaging the latch (fig.4) to hold the trigger open. DO NOT leave the nozzle unattended with the trigger latched open.
- 4.3.5 Slight pressure on the trigger will release the latch.
- 4.3.6 When the level in the receiving tank reaches the nozzle, delivery will stop automatically.
- 4.3.7 When delivery is complete, switch off the pump. Ensure the hose is wound into its housing on the tank and that the nozzle is secured in its storage place.
- 4.3.8 DO NOT operate the pump continuously for more than 30 minutes. The duty cycle of the unit is 30 minutes, after which the motor must be left to cool down for a further 30 minutes.
- 4.3.9 DO NOT run the unit for more than 2-3 minutes with the delivery nozzle closed.

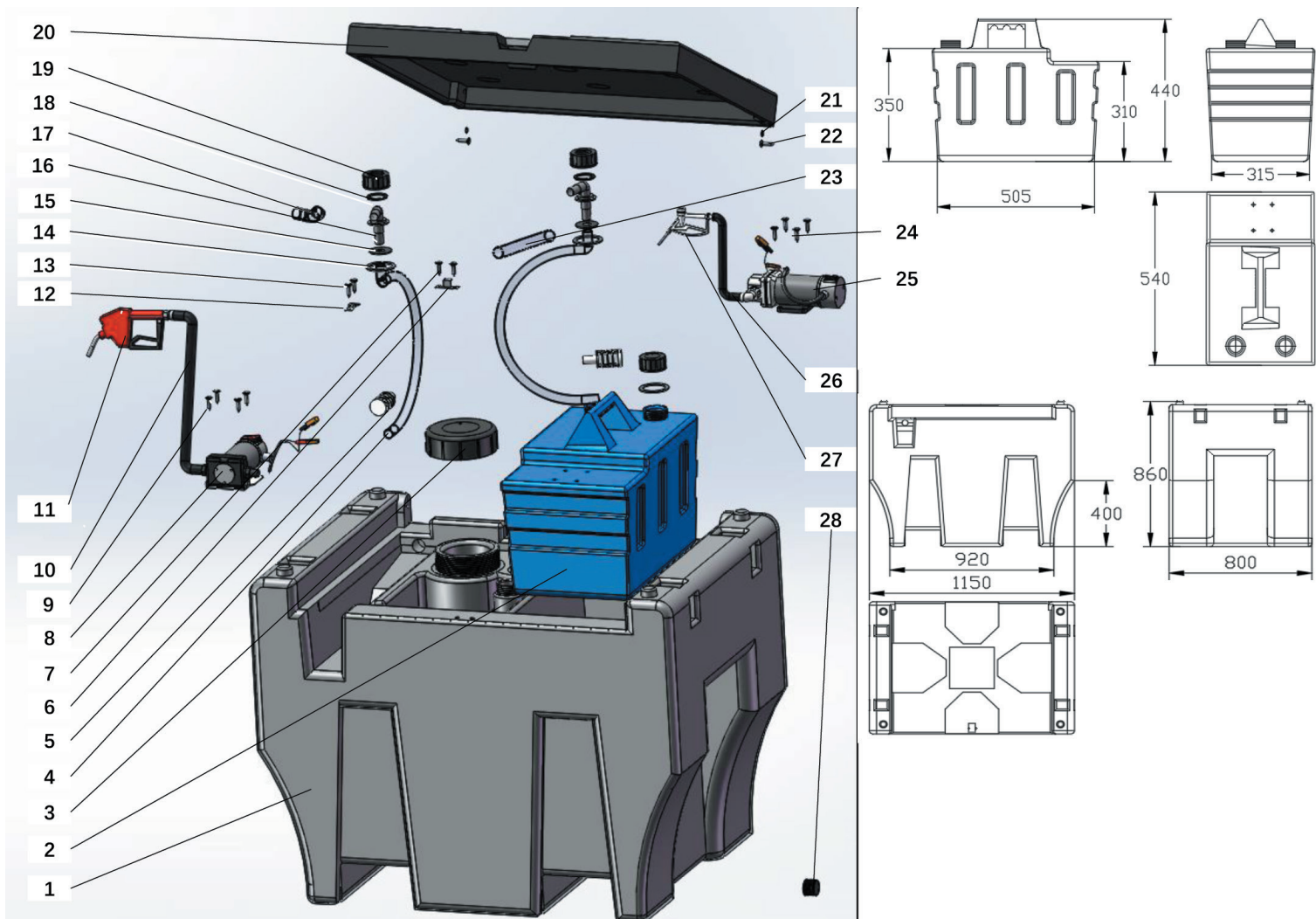
5. MAINTENANCE:

- 5.1 The pump contains no user-servicable parts. Repairs should only be undertaken by competent persons.
- 5.2 Check the integrity of all the hose connections periodically. If any leakage is evident, strip the joint and wind PTFE tape around the male thread.
- 5.3 Check the electrical connections and cables for wear and damage. Rectify any faults found.
- 5.4 Keep clean, especially the dispenser nozzle.
- 5.5 Clean with a damp, soapy cloth.
- 5.6 DO NOT use abrasive or solvent cleaners.



ENVIRONMENT PROTECTION

Recycle unwanted materials instead of disposing of them as waste. All tools, accessories and packaging should be sorted, taken to a recycling centre and disposed of in a manner which is compatible with the environment. When the product becomes completely unserviceable and requires disposal, drain any fluids (if applicable) into approved containers and dispose of the product and fluids according to local regulations.



Item No.	Description	Qty
1	400L Tank Body (Diesel)	1
2	50L Tank Body (UREA/DEF)	1
3	Breathing Cap	1
4	Inner PVC Hose	2
5	Filter	2
6	Lock Holder	1
7	Bolt	2
8	Diesel Pump	1
9	Bolt	4
10	NBR Hose	1
11	Diesel Nozzle	1
12	Nozzle Holder	1
13	Bolt	2
14	Washer	3

Item No.	Description	Qty
15	Under Washer	2
16	Suction Fitting	2
17	3/4 Connector Hose	1
18	Top Washer	2
19	Suction Cap	3
20	Tank Lid	1
21	Shim	2
22	Bolt	2
23	3/4 Connector Hose	1
24	Bolt	4
25	UREA/DEF Pump	1
26	EPDM Hose	1
27	UREA/DEF Nozzle	1
28	Bung	1