

Thank you for purchasing a Sealey product. Manufactured to a high standard this product will, if used according to these instructions and properly maintained, give you years of trouble free performance.



IMPORTANT: PLEASE READ THESE INSTRUCTIONS CAREFULLY. NOTE THE SAFE OPERATIONAL REQUIREMENTS, WARNINGS AND CAUTIONS. USE THE PRODUCT CORRECTLY AND WITH CARE FOR THE PURPOSE FOR WHICH IT IS INTENDED. FAILURE TO DO SO MAY CAUSE DAMAGE OR PERSONAL INJURY, AND WILL INVALIDATE THE WARRANTY. PLEASE KEEP INSTRUCTIONS SAFE FOR FUTURE USE.

1. SAFETY INSTRUCTIONS

1.1. ELECTRICAL SAFETY

WARNING! It is the responsibility of the owner and the operator to read, understand and comply with the following:

You must check all electrical products, before use, to ensure that they are safe. You must inspect power cables, plugs, sockets and any other connectors for wear or damage. You must ensure that the risk of electric shock is minimised by the installation of appropriate safety devices. A Residual Current Circuit Breaker (RCCB) should be incorporated in the main distribution board. We also recommend that a Residual Current Device (RCD) is used. It is particularly important to use an RCD with portable products that are plugged into a supply which is not protected by an RCCB. If in any doubt consult a qualified electrician. You may obtain a Residual Current Device by contacting your Sealey dealer. **You must** also read and understand the following instructions concerning electrical safety.

1.1.1. The **Electricity at Work Act 1989** requires all portable electrical appliances, if used on business premises, to be tested by a qualified electrician, using a Portable Appliance Tester (PAT), at least once a year.

1.1.2. The **Health & Safety at Work Act 1974** makes owners of electrical appliances responsible for the safe condition of those appliances and the safety of the appliance operators. **If in any doubt about electrical safety, contact a qualified electrician.**

1.1.3. Ensure that the insulation on all cables and on the appliance is safe before connecting it to the power supply. See 1.1.1. and 1.1.2. and use a Portable Appliance Tester.

1.1.4. Ensure that cables are always protected against short circuit and overload.

1.1.5. Regularly inspect power supply cables and plugs for wear or damage and check all connections to ensure that none is loose.

1.1.6. **Important:** Ensure that the voltage marked on the appliance matches the power supply to be used and that the plug is fitted with the correct fuse - see fuse rating at right.

1.1.7. **DO NOT** pull or carry the appliance by the power cable.

1.1.8. **DO NOT** pull the plug from the socket by the cable.

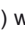
1.1.9. **DO NOT** use worn or damaged cables, plugs or connectors. Immediately have any faulty item repaired or replaced by a qualified electrician. When an ASTA/BS approved UK 3 pin plug is damaged, cut the cable just above the plug and **dispose of the plug safely**. Fit a new plug according to the following instructions (UK only).

a) **Connect the GREEN/YELLOW earth wire to the earth terminal 'E'.**

b) **Connect the BROWN live wire to the live terminal 'L'.**

c) **Connect the BLUE neutral wire to the neutral terminal 'N'.**

d) **After wiring, check that there are no bare wires, that all wires have been correctly connected, that the cable outer insulation extends beyond the cable restraint and that the restraint is tight.**

Double insulated products, which are always marked with this symbol , are fitted with live (brown) and neutral (blue) wires only. To rewire, connect the wires as indicated above - **DO NOT** connect either wire to the earth terminal.

1.1.10. Products which require more than 13 amps are supplied without a plug. In this case you must contact a qualified electrician to ensure that a suitably rated supply is available. We recommend that you discuss the installation of an industrial round pin plug and socket with your electrician.

1.1.11. If an extension reel is used it should be fully unwound before connection. A reel with an RCD fitted is preferred since any appliance plugged into it will be protected. The cable core section is important and should be at least 1.5mm², but to be absolutely sure that the capacity of the reel is suitable for this product and for others which may be used in the other output sockets, we recommend the use of 2.5mm² section cable. If extension reel is to be used outdoors, ensure it is marked for outdoor use.

1.2 GENERAL SAFETY

✓ Disconnect the fan from the mains power when not in use, and before servicing or performing any maintenance.

✓ Use the fan in dry areas only. Do not use in wet or high condensation locations such as bathrooms, showers, or pools.

✗ **WARNING!** If a fan falls into water, immediately switch off at the mains and disconnect from the mains power supply.

Do not touch the fan until the mains power supply has been disconnected.

✓ Always disconnect the fan from the power supply when moving it from one location to another.

✓ Keep the fan clean and maintain in good condition (use an authorised service agent).

✓ Use recommended parts only (non genuine parts may be dangerous, and will invalidate your warranty).

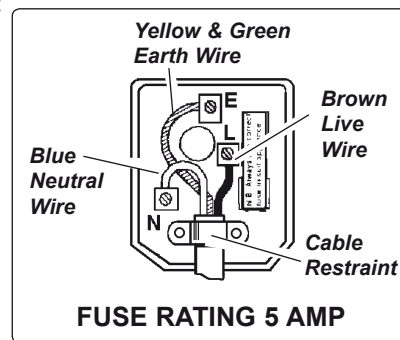
✗ **DO NOT** stand the fan where it may be knocked over or off a surface, or where the lead may cause a person to trip.

✗ **DO NOT** use an extension cord unless it has been approved by an electrical authority.

✗ **DO NOT** insert any objects through the fan guard. ✗ **DO NOT** allow children to operate the fan.

✗ **DO NOT** immerse the fan in water or any other liquid. ✗ **DO NOT** use the fan outdoors.

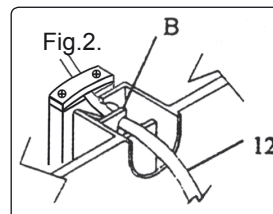
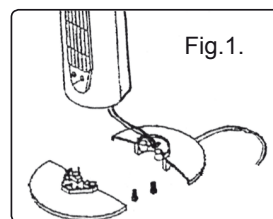
✓ When not in use store in a safe, dry, childproof location. ✗ **DO NOT** cover the fan.



2. ASSEMBLY

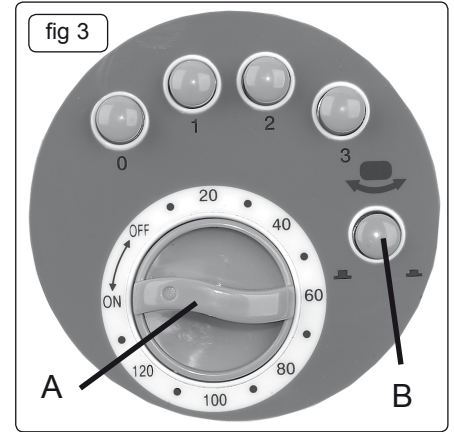
2.1. Your Tower Fan is supplied fully assembled with the exception of the base which comes in two halves. Please follow the assembly instructions carefully.

2.2. **Assembling the base.** Click the two halves of the base together, around the mains lead, and screw to the bottom of the fan Assembly as shown in fig.1. Fit the cable clamp over the mains lead, using the two screws provided and secure the mains lead into the lead retainer as shown in fig.2. The unit is now fully assembled and ready for use.



3. OPERATION

- 3.1 Do not operate the fan without the base attached. Do not operate the fan lying on its side.
- 3.2 Place the fan in the area where it is to be used using the recessed carrying handle at the back of the unit and plug it into the mains supply.
- 3.3 **Turning on and selecting a speed.** To operate the fan you must turn the rotary timer switch (fig3-A) to the "ON" position even if you do not intend to use the timer. The fan will come on when you select a speed by using one of the three push buttons. No.1 is low speed ; No.2 is medium and No.3 is high speed. To turn the fan off press the "0" button.
- 3.4 **Oscillation.** During use the fan can be made to turn from side to side. To commence oscillation push the oscillation button down (fig3-B). To stop oscillation push the button so that it comes up again into its off position.
- 3.5 **Timer.** The rotary timer control allows you to set a fixed operation time for the unit of up to two hours. Turn the timer knob clockwise until it points to the desired number of minutes you wish the fan to run. Now select the fan speed and the unit will come on and run for the period of time that you have set.

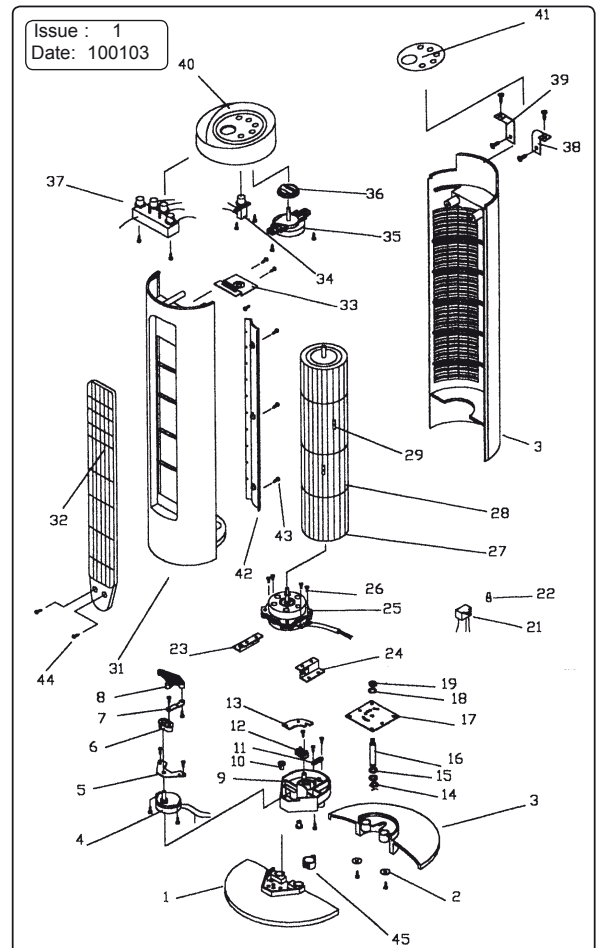


4. MAINTENANCE

- 4.1 If any problems are experienced with the unit take it to an authorised service centre for repair or maintenance. Do not attempt to service the unit yourself. This can only be done by an authorised service agent such as your local Sealey dealer or any agent qualified to undertake electrical repairs.
- 4.2 If the unit requires external cleaning make sure it is switched off and unplugged from the mains supply. Use a soft tissue or cloth for general cleaning. To remove more persistent dirt or grime wipe down with a cloth that has been dampened with warm soapy water. Do not use any solvents (such as thinners) as these may damage the plastic casing.

5. PARTS LIST & DIAGRAM

ITEM	PART NO	DESCRIPTION	ITEM	PART NO	DESCRIPTION
1	STF29T.01	Front base plate	25	STF29T.25	Fan motor
2	STF29T.02	Washer	26	STF29T.26	Screw
3	STF29T.03	Rear base plate	27	STF29T.27	Hurricane blade case
4	STF29T.04	Swing motor	28	STF29T.28	Hurricane blade
5	STF29T.05	Swing motor bracket	29	STF29T.29	Balancing weight
6	STF29T.06	Small crank	30	STF29T.30	Rear housing
7	STF29T.07	Link rod	31	STF29T.31	Front housing
8	STF29T.08	Big crank	32	STF29T.32	Front grille
9	STF29T.09	Swinger bracket	33	STF29T.33	Shaft bracket
10	STF29T.10	T-busher	34	STF29T.34	Oscillating switch
11	STF29T.11	Cable clamp	35	STF29T.35	Timer
12	STF29T.12	Terminal block	36	STF29T.36	Timer switch knob
13	STF29T.13	Terminal block cover	37	STF29T.37	Selector switch
14	STF29T.14	Spring washer	38	STF29T.38	Right hinge bracket
15	STF29T.15	Washer	39	STF29T.39	Left hinge bracket
16	STF29T.16	Rod	40	STF29T.40	Switch housing
17	STF29T.17	Fix plate	41	STF29T.41	Panel plate
18	STF29T.18	Spring washer	42	STF29T.42	Airflow stopper
19	STF29T.19	Nut	43	STF29T.43	Screw
21	STF29T.21	Capacitor	44	STF29T.44	Screw
22	STF29T.22	Shielding cap	45	STF29T.45	Swing bracket cover
23	STF29T.23	Left motor mounting bracket			
24	STF29T.24	Right motor mounting bracket			



NOTE: It is our policy to continually improve products and as such we reserve the right to alter data, specifications and component parts without prior notice.

IMPORTANT: No liability is accepted for incorrect use of this product.

WARRANTY: Guarantee is 12 months from purchase date, proof of which will be required for any claim.

INFORMATION: For a copy of our latest catalogue and promotions call us on 01284 757525 and leave your full name and address, including postcode.



Sole UK Distributor, Sealey Group,
Kempson Way, Suffolk Business Park,
Bury St. Edmunds, Suffolk,
IP32 7AR

01284 757500

www.sealey.co.uk

01284 703534

sales@sealey.co.uk