



PRESSURE POT SYSTEM WITH SPRAY GUN & HOSES 1.8MM SET-UP

MODEL NO: **SSG1P.V3**

Thank you for purchasing a Sealey product. Manufactured to a high standard, this product will, if used according to these instructions, and properly maintained, give you years of trouble free performance.

IMPORTANT: PLEASE READ THESE INSTRUCTIONS CAREFULLY. NOTE THE SAFE OPERATIONAL REQUIREMENTS, WARNINGS & CAUTIONS. USE THE PRODUCT CORRECTLY AND WITH CARE FOR THE PURPOSE FOR WHICH IT IS INTENDED. FAILURE TO DO SO MAY CAUSE DAMAGE AND/OR PERSONAL INJURY AND WILL INVALIDATE THE WARRANTY. KEEP THESE INSTRUCTIONS SAFE FOR FUTURE USE.



Refer to instructions



Wear eye protection



Wear protective gloves



Wear safety footwear



Wear protective clothing



Wear a mask

1. SAFETY

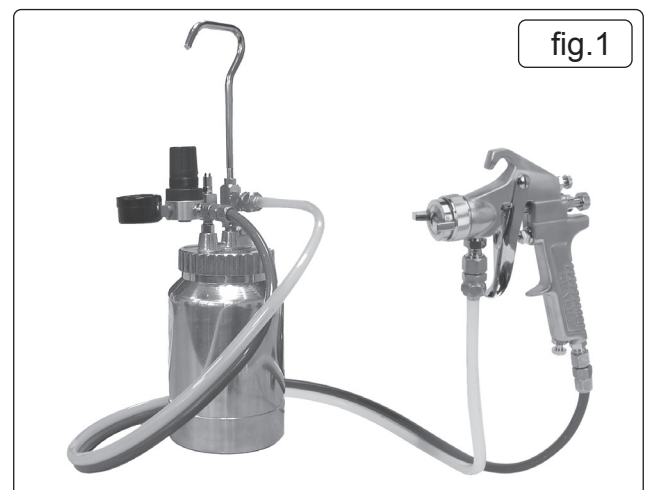
- ✓ Familiarise yourself with the application, limitations and potential hazards peculiar to the spray gun.
- ❑ **WARNING!** Disconnect the spray gun from the air supply before changing accessories, servicing or performing any maintenance.
- ✓ Maintain the spray gun in good condition (use an authorised service agent).
- ✓ Replace or repair damaged parts. Use recommended parts only. Unauthorised parts may be dangerous and will invalidate the warranty.
- ✓ Keep the spray gun clean for best and safest performance.
- ✓ Ensure that the compressed air system can supply the spray gun air consumption (7-12cfm).
- ✓ Wear approved safety respiratory protection and safety eye goggles.
- ✓ If spraying isocyanate based finisher, wear approved respirator/clean air breathing apparatus and protect skin with latex gloves and an impervious hooded coverall.
- ✓ Remove ill fitting clothing. Remove ties, watches, rings and other loose jewellery and tie back long hair.
- ✓ Locate the spray gun in a suitable work area. Keep area clean and tidy and free from unrelated materials and ensure that there is adequate ventilation and lighting.
- ✓ Keep children and unauthorised persons away from the work area.
- ✓ When not in use, ensure that the air supply is turned off.
- ✓ Avoid unintentional operation of spray gun.
- * **DO NOT** point spray gun at yourself, other persons or animals.
- * **DO NOT** direct air from the air hose at yourself, other persons or animals.
- * **DO NOT** carry the spray gun by the hose, or pull the hose from the air supply.
- * **DO NOT** exceed the maximum air pressure of 78psi.
- * **DO NOT** use the spray gun for any purpose other than that for which it is designed.
- * **DO NOT** allow untrained persons to operate the spray gun.
- * **DO NOT** get the spray gun wet or use in damp or wet locations or in areas where there is condensation.
- * **DO NOT** operate the spray gun if any parts are missing or damaged as this may cause failure and/or personal injury.
- ✓ When not in use, disconnect the spray gun from the air supply, clean thoroughly and store safely.

2. INTRODUCTION

Based on the SSG1 spray gun head and supplied with high capacity pressure pot with gauge. Suitable for bulk/production spraying. Suitable for use with water based paints. Components of this set are also available individually. Alternative set-up available separately.

3. SPECIFICATION

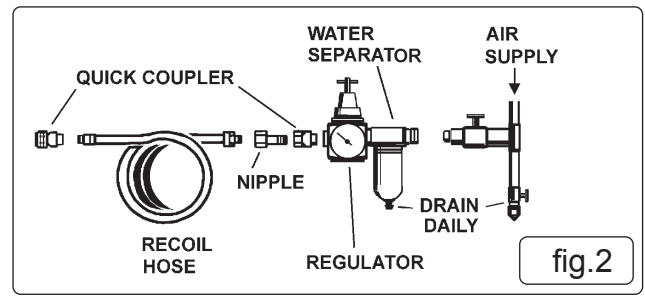
Model No.....SSG1P.V3
Set-Up.....1.8mm
Available Set-Ups.....2.0mm
Air Pressure.....40-60psi
Air Consumption.....7-12cfm
Pot Capacity.....2.0ml



4. AIR SUPPLY

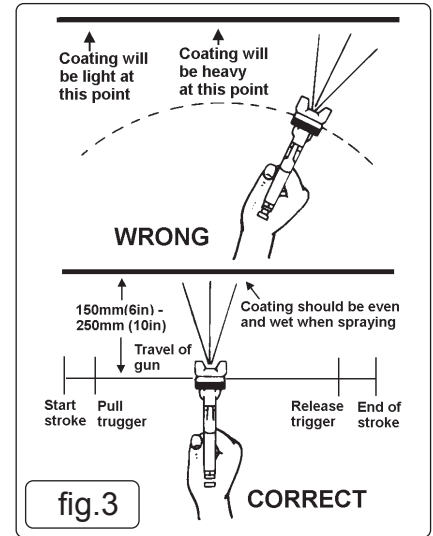
Recommended supply system see fig.2.

- 4.1. Ensure that the spray gun trigger is in the "off" position before connecting to the air supply.
- 4.2. You will require an air pressure between 40 - 60psi, and an air flow according to the specification.
 - ❑ **WARNING!** Ensure that the air supply is clean and does not exceed 60psi while operating the spray gun. Too high an air pressure and/or unclean air will shorten the product life, due to excessive wear, and may cause damage and/or personal injury.
- 4.3. Drain the air tank daily. Water in the air line will damage the spray gun and **invalidate your warranty**.
- 4.4. Clean compressor air inlet filter weekly.
- 4.5. Line pressure should be increased to compensate for unusually long air hoses (over 8 metres). The minimum hose diameter should be 1/4" I.D. and fittings must have the same inside dimensions.
- 4.6. Keep hose away from heat, oil and sharp edges.
- 4.7. Check hoses for wear, and make certain that all connections are secure.



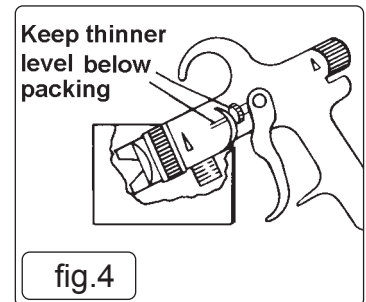
5. OPERATION

- 5.1. For best results, handle the gun correctly. It should be held perpendicular to the surface being sprayed and moved parallel to it. Start the stroke before squeezing the trigger and release the trigger before finishing the stroke. This will give more accurate control of the gun and the material fig.3.
- 5.2. Spray from a distance of 6 (150mm) to 10 inches (250mm), depending on the material and the atomizing pressure. The material deposited should always be even and wet. Each stroke must overlap the preceding stroke to obtain a uniform finish. To reduce over spray and obtain maximum efficiency, spray with the lowest possible atomizing air pressure.
- 5.3. Controlling the fluid and the fan spray:
 - a) As the width of the spray is altered so the fluid flow must be adjusted to maintain the same coverage. Use the fluid control screw ('C' in Section 6).
 - b) The direction of the fan spray, either horizontal or vertical, is adjusted by turning the air cap to the desired position and then tightening the retaining ring



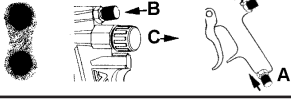
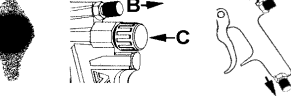
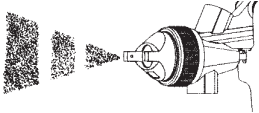
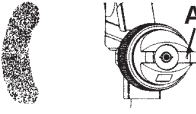
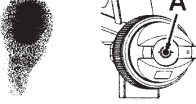
6. CLEANING/MAINTENANCE

- ❑ **WARNING!** Disconnect from the air supply before attempting any maintenance or cleaning. When reassembling after maintenance, be sure to take care when screwing parts together. At first screw parts hand tight to avoid cross-threading. If a part cannot easily be turned by hand, check that you have the correct part, or unscrew, realign and try again. **DO NOT** use excessive force when reassembling.
- 6.1. **Spray gun**
 - 6.1.1. Immerse the front end of the gun only in solvent until the solvent just covers the fluid connection.
 - 6.1.2. Use a bristle brush and solvent to wash off accumulated paint.
 - 6.1.3. **DO NOT** immerse the entire gun in solvent. This will cause lubricants to dissolve and packing to dry out. Dirty solvent may also clog the narrow passages in the gun.
 - 6.1.4. Wipe the outside of the gun with a dampened solvent rag.
 - 6.1.5. Lubricate the gun daily with a light machine oil. Be sure to lubricate the fluid needle packing, air valve packing, side port control packing and trigger pivot point. Do not use lubricants containing silicone.
 - 6.1.6. When finished spraying, flush the gun through with clean thinners.
 - 6.2. **Air nozzle, fluid nozzle & needle assembly.**
 - 6.2.1. To clean the nozzles, soak them in solvent to dissolve any dried material then blow them clean with air.
 - 6.2.2. Handle all nozzles carefully and do not make any alterations in the gun.
 - 6.2.3. If you need to probe the holes in the nozzles, be sure to use a tool that is softer than brass; do not use metal instruments.
 - 6.2.4. Adjust the fluid needle valve so that when the gun is triggered, air flow occurs before fluid flow.



7. TROUBLESHOOTING

A faulty spray is usually caused by improper cleaning or dried material around the fluid nozzle tip or in the air nozzle. If cleaning is required, remove these parts and soak them in solvent. This will soften the dried material which can then be removed with a brush or a cloth. These parts are carefully machined and any damage to them will cause a faulty spray. If either the air nozzle or fluid nozzle are damaged, they must be replaced before a perfect spray can be obtained.

PROBLEM	CAUSE	SOLUTION
Heavy atomization, poor centre pattern. 	Fluid flow is too high for the air pressure and flow.	1. Increase air pressure by adjusting regulator (A) and increase flow adjusting regulator (B). 2. Reduce paint flow with regulator (C). 3. Paint may be too thick. If so, dilute it.
Poor atomization/heavy centre pattern. 	Air pressure and flow too high for fluid flow.	1. Reduce air pressure by adjusting regulator (A). 2. Reduce air flow by adjusting regulator (B) and increase fluid flow with regulator (C).
Intermittent spray pattern. 	Air entering the fluid supply.	1. Tighten the connection between the gun and the pot. 2. Tighten fluid nozzle with gun spanner. 3. Check if pot vent hole is blocked. 4. Check if pot is empty.
Heavy right or left side pattern. 	Horn hole (A) blocked. In order to check, turn the air cap (C), if the faulty pattern is now upside down the hole must be cleaned.	1. Place the air cap in solvent. 2. Clean hole with compressed air or with a wooden toothpick. 3. DO NOT use a metal probe which will damage the hole.
Top heavy or bottom heavy pattern. 	Possible paint build-up between fluid nozzle and air cap (A).	1. Clean the air cap and the fluid nozzle, check that they match. 2. Check needle for damage.

Parts support is available for this product. Please email sales@sealey.co.uk or telephone 01284 757500



ENVIRONMENT PROTECTION

Recycle unwanted materials instead of disposing of them as waste. All tools, accessories and packaging should be sorted, taken to a recycling centre and disposed of in a manner which is compatible with the environment. When the product becomes completely unserviceable and requires disposal, drain any fluids (if applicable) into approved containers and dispose of the product and fluids according to local regulations.

Note: It is our policy to continually improve products and as such we reserve the right to alter data, specifications and component parts without prior notice. Please note that other versions of this product are available. If you require documentation for alternative versions, please email or call our technical team on technical@sealey.co.uk or 01284 757505.

Important: No Liability is accepted for incorrect use of this product.

Warranty: Guarantee is 12 months from purchase date, proof of which is required for any claim.

Sealey Group, Kempson Way, Suffolk Business Park, Bury St Edmunds, Suffolk. IP32 7AR



01284 757500



01284 703534



sales@sealey.co.uk



www.sealey.co.uk