



INSTRUCTIONS FOR:
STATIC MOUNTED CRANES
450KG & 900KG
 MODEL Nos: **SSC450 & SSC900**

Thank you for purchasing a Sealey product. Manufactured to a high standard, this product will, if used according to these instructions, and properly maintained, give you years of trouble free performance.

IMPORTANT: PLEASE READ THESE INSTRUCTIONS CAREFULLY. NOTE THE SAFE OPERATIONAL REQUIREMENTS, WARNINGS & CAUTIONS. USE THE PRODUCT CORRECTLY AND WITH CARE FOR THE PURPOSE FOR WHICH IT IS INTENDED. FAILURE TO DO SO MAY CAUSE DAMAGE AND/OR PERSONAL INJURY AND WILL INVALIDATE THE WARRANTY. KEEP THESE INSTRUCTIONS SAFE FOR FUTURE USE.



Refer to instruction manual



Wear safety footwear



Wear protective gloves

1. CONTENTS

	Page No.
Section 2. General	1
Section 2.1 Identification	1
Section 2.2. Technical Data	1
Section 3. Safety	2
Section 4. Assembly	2
Section 5. Operating Instructions	3
Section 6. Maintenance/Inspection/Examination	4
Section 7. Owner's & Operator's Responsibilities	4
Section 8. Declaration of Conformity	5&6
Section 9. Parts List and Diagram	7&8

2. GENERAL

2.1. Identification

Supplier: Sealey Power Products,
 Kempson Way,
 Suffolk Business Park,
 Bury St Edmunds,
 Suffolk, IP32 7AR.

Model No: SSC450,SSC900

2.2. Technical Data

Model no:**SSC450**
 Lifting Capacity in Position 1: 450kg
 Lifting Capacity in Position 2: 125kg
 Weight: 45kg

Model No:**SSC900**
 Lifting Capacity in Position 1: 900kg
 Lifting Capacity in Position 2: 250kg
 Weight: 50kg

Manufactured from heavy-duty steel with a powder coated finish for added corrosion resistance. These cranes feature a unique 360° swivel base for easy manoeuvrability of the load. Threaded locking arm allows the crane to be locked in place when not in use. Mounts easily onto any strong and stable surface including loading bays, 4x4s and flatbed trucks/vans. Robust lifting ram enables a maximum capacity of 450kg or 900kg when the lifting boom is retracted and 125kg or 250kg when fully extended. Includes heavy-duty chain and hook. Hook features safety clip to help prevent load sling from slipping.

3. SAFETY

3.1. SAFETY

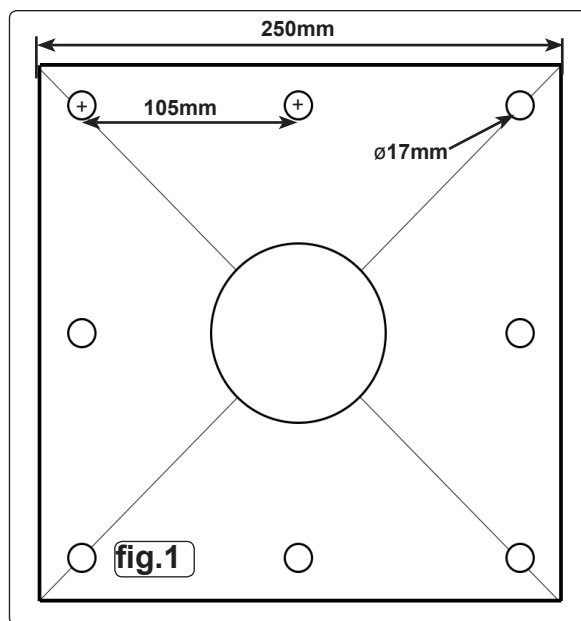
- ✓ **Keep** crane, lifting slings, support and beams in good working order and condition. Follow the inspection requirements as described in Section 6, Maintenance. *Take immediate action to repair or replace damaged parts by contacting your supplier. Ensure that all accessory lifting devices are suitable. If crane is damaged, remove from service immediately.*
- ✓ **Ensure that the crane is securely fixed to the surface or vehicle on which it is to be mounted.**
- ✓ **Keep** children and unauthorised persons away from the working area.
- ✓ **Keep** working area clean and tidy, free from unrelated materials and ensure that there is adequate lighting.
- ✓ **Ensure** that load does not exceed the maximum lifting capacity of the crane. Overloading the crane is dangerous. Where appropriate, use only the lifting points recommended by the manufacturer of the item to be lifted, e.g. vehicle engine.
- ✓ **Before** lifting the load ensure that the crane boom is in the lowest practical position, that there are no obstacles which may snag the load whilst it is being lifted and that the area above the boom is clear.
- ✓ **To** avoid injury, be fully aware of your own and other persons locations in relation to the lifting, and lowering, of the load.



- ✓ **Keep** a sound footing and balance, and ensure the floor is not slippery, and wear non-slip footwear.
- ✓ **Ensure** boom extension locking pin and 'R' pin are in position before lifting.
- ✓ **Ensure** the centre of gravity always remains inside the crane base.
- X **DO NOT** harness the load at an angle or use any attachments not verified as fit for purpose.
- X **DO NOT** allow the load to swing during lifting.
- X **DO NOT** allow the load to drop suddenly. Lower load with care, ensuring that you are fully aware of the condition of the surface onto which the load is to be placed.
- X **DO NOT** load crane beyond its rated capacity for each specified boom extension position as indicated in Section 2.1 page 2. The capacity of the crane reduces as the boom is extended.
- X **DO NOT** position any part of your body beneath the load.
- X **DO NOT** attempt to adjust the safety valve, which has been set and sealed by the manufacturer.
- X **DO NOT** use this crane to perform a task for which it is not designed.
- X **DO NOT** use whilst under the influence of drugs, alcohol or intoxicating medication.
- X **DO NOT** climb on the crane.
- ✓ **When** not in use store in a safe, childproof area.
- ☐ **WARNING!** Failure to heed safety and warning instructions may result in damage and/or personal injury and will invalidate the warranty.

4. ASSEMBLY

- ☐ **WARNING!** The base (fig.1) must be fastened securely to the surface or vehicle on which it is to be mounted. Owing to the design of this crane, the mounting is subject to substantial leverage.
- 4.1. Solid Mounting: Use anchor bolts of suitable size and design to secure the base. If in any doubt, consult a specialist with the relevant knowledge.
- 4.2. Vehicle Mounting: When mounting on a vehicle, consult the vehicle manufacturer and/or bodybuilder to determine a suitable location on which to mount the crane. Incorrect mounting could affect the stability of the vehicle when using the crane.
- 4.3. **Crane Assembly.** (Part numbers refer to the parts drawing).
- 4.3.1. If required, bolt wheel hub (part 2) onto post (part 9) using bolts (part 3), securing with washers and nuts.
- 4.3.2. Attach boom (part 12) to post using bolt (part 10), securing with washers and nut.
- 4.3.3. Attach lower end of jack (part 8) to post using bolt (part 6), washers and nut.
- 4.3.4. Similarly, attach upper end of jack to boom using bolt (part 11), washers and nut.
- 4.3.5. Slide boom extension into boom and secure with pin (part 13).
- 4.3.6. Attach hook and chain (part 16) using bolt (part 15), washers and nut.
- 4.4. Before use, purge the hydraulic system by opening the release valve (fig 2.B) slightly and operating the pump for about 20 strokes. Close the release valve and check oil level as in section 6.1.b.

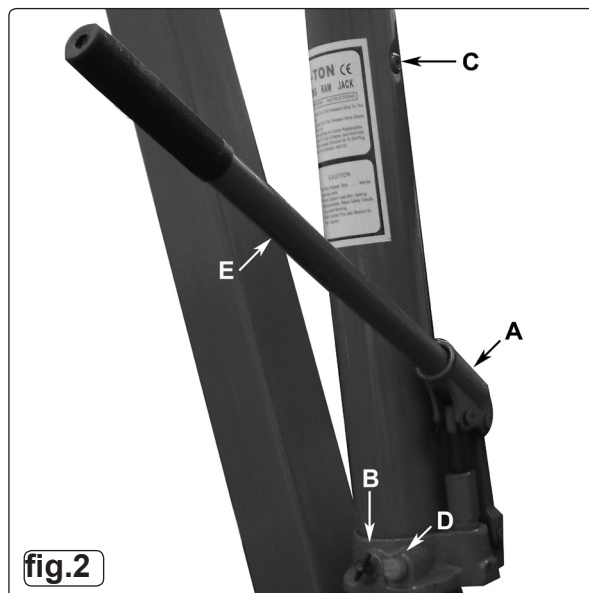


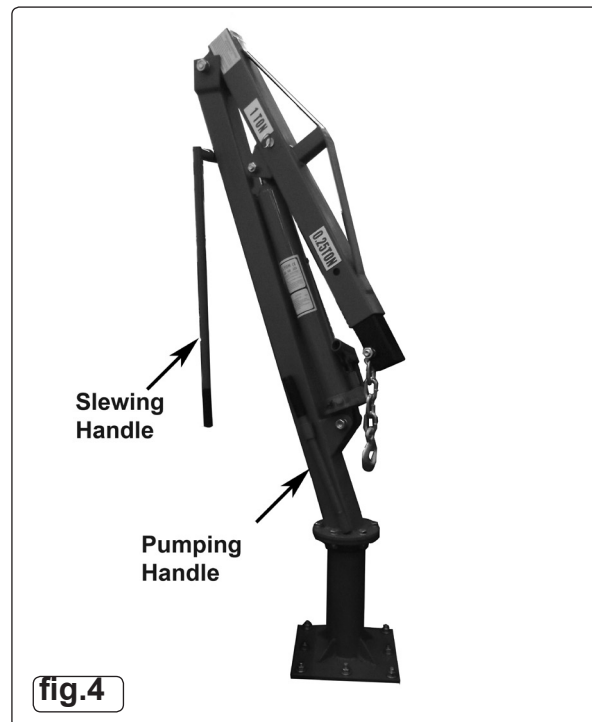
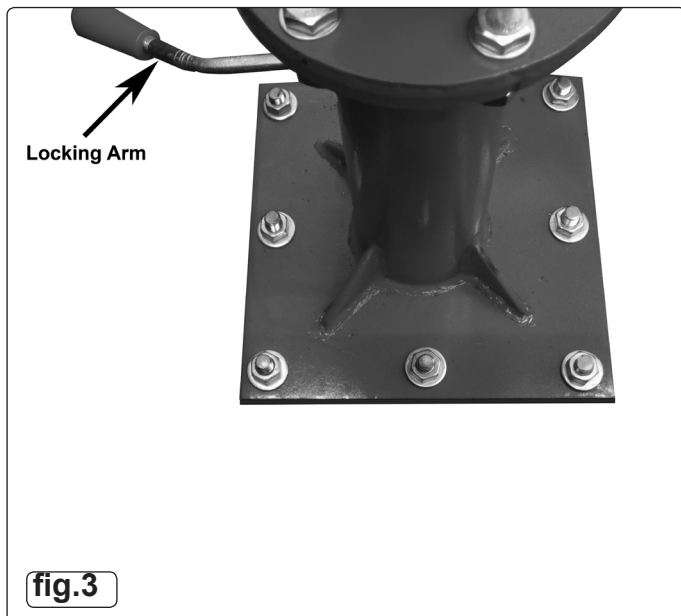
5. OPERATING INSTRUCTIONS



NOTE: ENSURE YOU HAVE READ AND UNDERSTOOD THE SAFETY INSTRUCTIONS AT THE BEGINNING OF THIS SECTION BEFORE YOU OPERATE THE CRANE.

- 5.1. **OPERATION. (Refer to Section 6.2 regarding inspection before each and every use).**
- 5.1.1. Loosen locking arm (fig.2) allowing mast to rotate.
- 5.1.2. Place pumping handle (figs.2.E & 4) into pump socket (fig.2.A) and pump, the boom will raise. Continue to pump until the boom reaches the height at which the load can be secured.
- 5.1.3. Connect the crane hook to the load using a suitable sling or support beam. Ensure you are aware of the load weight, and check that it is within the capacity of the crane (at the boom extension you are using) and the sling or support beam.
- 5.1.4. Lift only from directly above the load. **WARNING! DO NOT LIFT THE LOAD AT AN ANGLE!**
- 5.1.5. To slew the crane and its load, place the slewing handle (fig.4) into the socket and use as a lever, taking care not to place yourself or any other person in the path of the load. If vehicle mounted, monitor the attitude of the vehicle and stop lifting if any sign of instability becomes apparent.
- 5.1.6. To lower load, place the notches in the end of the pump handle over the lugs on the release valve (fig.2.B) and turn **WARNING! DO NOT** allow the load to drop suddenly.
- 5.1.7. When load has been secured, remove lifting sling, support beam etc. Secure the crane with boom fully lowered and the locking arm tightened.





6. MAINTENANCE / EXAMINATION / INSPECTION

NOTE: The crane **MUST** be kept clean and dry and must be maintained in accordance with these instructions.

6.1. LUBRICATION.

- a) Oil all working parts monthly.
- b) The ram is filled with oil and should only require occasional topping up. **DO NOT** use brake fluid, as this will damage the hydraulic seals and invalidate the warranty. Proceed as follows:
 - a) Use only good quality hydraulic jack oil available from your supplier.
 - b) **DO NOT OVERFILL** as this will cause failure.
 - c) After filling with hydraulic oil via filler plug (fig.2.C), pump the crane up to its full height and pour off any excess oil.

6.2. INSPECTION AND EXAMINATION OF CRANE BEFORE USE.

- a) Before each use of the crane you must perform an inspection for leaks, damage, loose or missing parts.
- b) The crane must be examined immediately if it has been subject to an abnormal load or shock. It is recommended that such an examination is made by an authorised service agent.
- c) The owner and/or operator must be aware that repair of this equipment will require specialised knowledge and facilities. It is recommended that an annual examination of the workshop crane is made by an authorised service agent.
- d) Unauthorised parts may be dangerous and will invalidate the warranty.

Note! See the Definition of 'Inspection' and 'Examination' below.

INSPECTION:

Looking at the crane for defects and checking the operation of the controls, limiting and indicating devices without loading the crane. This is more than a check but does not normally require any part of the crane to be dismantled other than removal or opening of covers or housings.

EXAMINATION:

Verification that the crane can continue safely in service including a functional test of all safety devices i.e. limiting, indicating equipment, brakes, clutches, safety valves etc to verify that they operate within the required tolerances. An examination is more thorough than an inspection.

7. OWNER'S & OPERATOR'S RESPONSIBILITIES

The owner and/or operator shall study these instructions and retain them for future use.

- a) **Understanding instructions and warnings.**
The owner and/or operator shall understand the operating instructions and warnings before operating the crane. Warning information must be emphasised and understood.
If the operator is not fluent in English, the product instructions and warnings must be read to, and discussed with, the operator in the operator's native language by the owner, making sure the operator understands the contents.
- b) **Damaged Cranes.**
Any crane which appears to be damaged, badly worn, or operates abnormally **MUST BE REMOVED FROM SERVICE!** It is recommended that necessary repairs be made by an authorised service agent.
- c) **End of service.**
Through years of normal wear, the crane will eventually become unserviceable. When this happens ensure the hydraulic oil is drained off and disposed of in accordance with local authority regulations.
- d) **STORAGE.**
Always store the crane fully closed so that the boom is in lowest position and the ram is closed. Prevent the crane from rotating by tightening the locking arm.

Environmental Protection



Recycle unwanted materials instead of disposing of them as waste. All tools, accessories and packaging should be sorted, taken to a recycling centre and disposed of in a manner which is compatible with the environment. When the product becomes completely unserviceable and requires disposal, drain off any fluids (if applicable) into approved containers and dispose of the product and the fluids according to local regulations.

NOTE: It is our policy to continually improve products and as such we reserve the right to alter data, specifications and component parts without prior notice.

IMPORTANT: No liability is accepted for incorrect use of this product.

WARRANTY: Guarantee is 12 months from purchase date, proof of which will be required for any claim.



Sole UK Distributor, Sealey Group,
Kempson Way, Suffolk Business Park,
Bury St. Edmunds, Suffolk,
IP32 7AR



01284 757500



01284 703534



www.sealey.co.uk



sales@sealey.co.uk



EC DECLARATION OF CONFORMITY

We the sole importers into the UK, hereby declare that the equipment described below

Description and Function: **Static Mounted Crane 450kg**

Model/Type: **SSC450**

Manufacturing Date / Serial number (optional):

Manufacturer's authorised representative within the EC: **Jack Sealey Ltd. Kempson Way, Suffolk Business Park, Bury St. Edmunds, Suffolk, IP32 7AR**

Conforms to the requirements of the following Directives, as indicated.

- 2006/42/EC Machinery Directive
- 2000/14/EC Outdoor Noise Emissions Directive
- 2006/95/EC Low Voltage Directive
- 2002/96/EC WEEE Directive
- 2004/108/EC EMC Directive
- 2011/65/EU RoHS Directive
- 93/68/EEC CE Marking Directive
- 97/23/EC Pressure Equipment Directive
- 2009/105/EC the Simple Pressure Vessels Directive

And the following harmonised standard(s)

.....

.....

.....

.....

Additional technical standards and specifications (if applicable):

.....

Technical file compiled by: **Jack Sealey Ltd.**

Signed: 

Date: 29-Apr-2013

Place: Bury St. Edmunds.

Name: Mark Sweetman

Position: Managing Director

Being the responsible person appointed by the manufacturer.



Sealey Power Products, Kempson Way, Suffolk Business Park, Bury St. Edmunds, Suffolk, IP32 7AR

 01284 757500

 01284 703534

 sales@sealey.co.uk

 www.sealey.co.uk



EC DECLARATION OF CONFORMITY

We the sole importers into the UK, hereby declare that the equipment described below

Description and Function: **Static Mounted Crane 900kg**

Model/Type: **SSC900**

Manufacturing Date / Serial number (optional):

Manufacturer's authorised representative within the EC: **Jack Sealey Ltd. Kempson Way, Suffolk Business Park, Bury St. Edmunds, Suffolk, IP32 7AR**

Conforms to the requirements of the following Directives, as indicated.

- 2006/42/EC Machinery Directive
- 2006/95/EC Low Voltage Directive
- 2004/108/EC EMC Directive
- 93/68/EEC CE Marking Directive
- 2009/105/EC the Simple Pressure Vessels Directive
- 2000/14/EC Outdoor Noise Emissions Directive
- 2002/96/EC WEEE Directive
- 2011/65/EU RoHS Directive
- 97/23/EC Pressure Equipment Directive

And the following harmonised standard(s)

.....
.....
.....
.....

Additional technical standards and specifications (if applicable):

.....

Technical file compiled by: **Jack Sealey Ltd.**

Signed:

Date: 29-Apr-2013

Place: Bury St.Edmunds.

Name: Mark Sweetman

Position: Managing Director

Being the responsible person appointed by the manufacturer.



Sealey Power Products, Kempson Way, Suffolk Business Park, Bury St. Edmunds, Suffolk, IP32 7AR



01284 757500



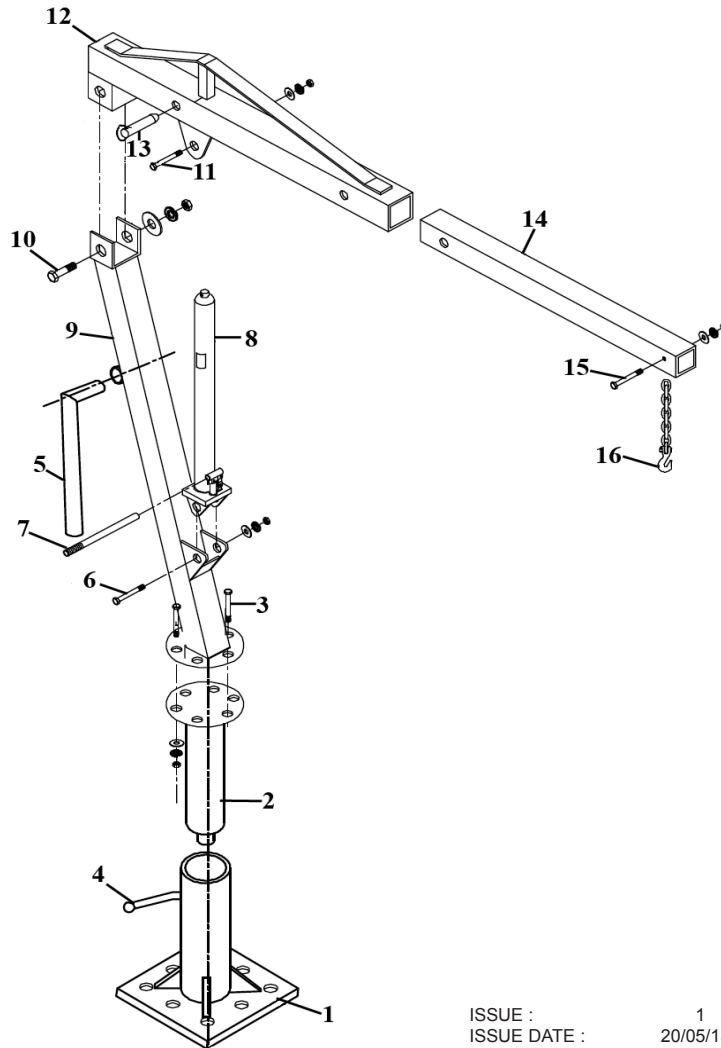
01284 703534



sales@sealey.co.uk



www.sealey.co.uk



ISSUE : 1
 ISSUE DATE : 20/05/13

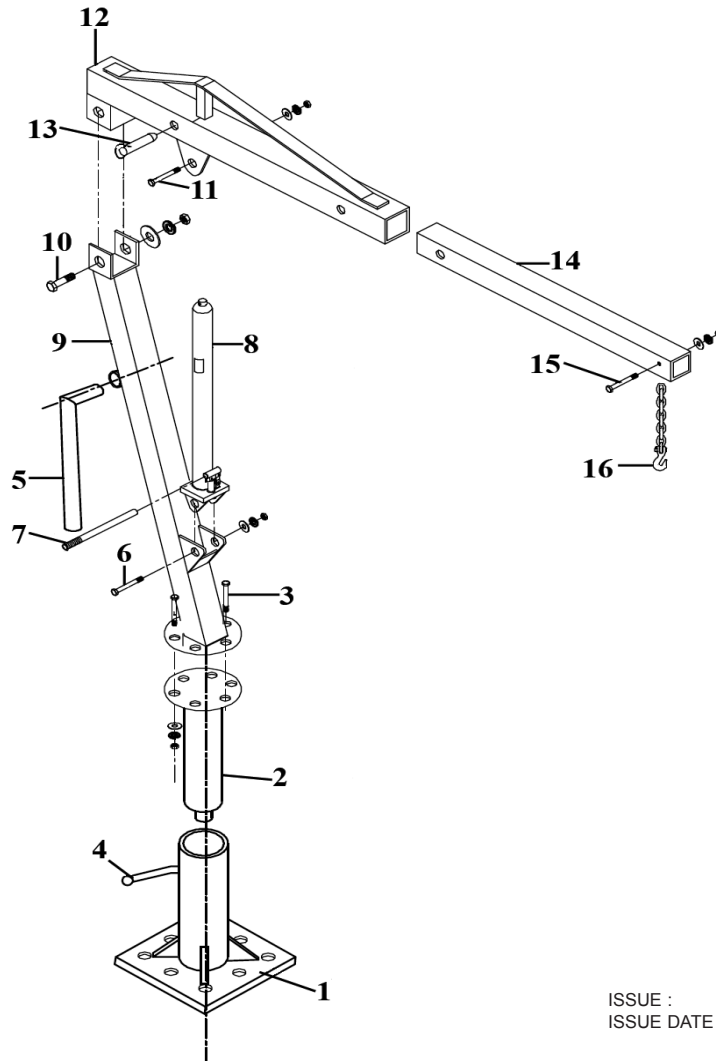
ITEM	PART NO	DESCRIPTION
1	SSC450.01	BASE
2	SSC450.02	WHEEL HUB
3	SSC450.03	BOLT M12X35
4	SSC450.04	BOLT M12X25
5	SSC450.05	WHEEL WORKING ARM
6	SSC450.06	BOLT M16X90
7	SSC450.07	JACK HANDLE
8	SSC450.08	JACK (3TON)
9	SSC450.09	POST
10	SSC450.10	BOLT M14X100
11	SSC450.11	BOLT M16X80
12	SSC450.12	BOOM
13	SSC450.13	PIN
14	SSC450.14	BOOM EXTENSION
15	SSC450.15	BOLT M12X70
16	SSC450.16	HOOK AND CHAIN

NOTE: It is our policy to continually improve products and as such we reserve the right to alter data, specifications and component parts without prior notice.

IMPORTANT: No liability is accepted for incorrect use of product.

WARRANTY: Guarantee is 12 months from purchase date, proof of which will be required for any claim.

INFORMATION: For a copy of our latest catalogue and promotions call us on 01284 757525 and leave your full name and address, including postcode.



ISSUE : 1
 ISSUE DATE : 20/05/13






ITEM	PART NO	DESCRIPTION
1	SSC900.01	BASE
2	SSC900.02	WHEEL HUB
3	SSC900.03	BOLT M12X35
4	SSC900.04	BOLT M12X25
5	SSC900.05	WHEEL WORKING ARM
6	SSC900.06	BOLT M16X90
7	SSC900.07	JACK HANDLE
8	SSC900.08	JACK (3 TON)
9	SSC900.09	POST
10	SSC900.10	BOLT M18X110
11	SSC900.11	BOLT M16X80
12	SSC900.12	BOOM
13	SSC900.13	PIN
14	SSC900.14	BOOM EXTENSION
15	SSC900.15	BOLT M14X80
16	SSC900.16	HOOK AND CHAIN

NOTE: It is our policy to continually improve products and as such we reserve the right to alter data, specifications and component parts without prior notice.

IMPORTANT: No liability is accepted for incorrect use of product.

WARRANTY: Guarantee is 12 months from purchase date, proof of which will be required for any claim.

INFORMATION: For a copy of our latest catalogue and promotions call us on 01284 757525 and leave your full name and address, including postcode.

	Sole UK Distributor, Sealey Group, Kempson Way, Suffolk Business Park, Bury St Edmunds, Suffolk, IP32 7AR	 01284 757500  01284 703534	 www.sealey.co.uk  sales@sealey.co.uk
---	--	--	--