



# SPOT POLISHER KIT 600W/230V

MODEL NO: **SPK600**

Thank you for purchasing a Sealey product. Manufactured to a high standard, this product will, if used according to these instructions, and properly maintained, give you years of trouble free performance.

**IMPORTANT:** PLEASE READ THESE INSTRUCTIONS CAREFULLY. NOTE THE SAFE OPERATIONAL REQUIREMENTS, WARNINGS & CAUTIONS. USE THE PRODUCT CORRECTLY AND WITH CARE FOR THE PURPOSE FOR WHICH IT IS INTENDED. FAILURE TO DO SO MAY CAUSE DAMAGE AND/OR PERSONAL INJURY AND WILL INVALIDATE THE WARRANTY. KEEP THESE INSTRUCTIONS SAFE FOR FUTURE USE.



Refer to instruction manual



Wear protective gloves



Wear eye protection



Wear face mask



Wear ear protection



Indoor use only

## 1. SAFETY

### 1.1. ELECTRICAL SAFETY

- WARNING!** It is the user's responsibility to check the following:  
Check all electrical equipment and appliances to ensure that they are safe before using. Inspect power supply leads, plugs and all electrical connections for wear and damage. Sealey recommend that an RCD (Residual Current Device) is used with all electrical products. You may obtain an RCD by contacting your local Sealey stockist.  
If the product is used in the course of business duties, it must be maintained in a safe condition and routinely PAT (Portable Appliance Test) tested.  
Electrical safety information, it is important that the following information is read and understood.
- 1.1.1. Ensure that the insulation on all cables and on the appliance is safe before connecting it to the power supply.
- 1.1.2. Regularly inspect power supply cables and plugs for wear or damage and check all connections to ensure that they are secure.
- 1.1.3. **Important:** Ensure that the voltage rating on the appliance suits the power supply to be used and that the plug is fitted with the correct fuse - see fuse rating in these instructions.
  - \* **DO NOT** pull or carry the appliance by the power cable.
  - \* **DO NOT** pull the plug from the socket by the cable. Remove the plug from the socket by maintaining a firm grip on the plug.
  - \* **DO NOT** use worn or damaged cables, plugs or connectors. Ensure that any faulty item is repaired or replaced immediately by a qualified electrician.
- 1.1.4. This product is fitted with a BS1363/A 13 Amp 3 pin plug.  
If the cable or plug is damaged during use, switch the electricity supply and remove from use.  
Replace a damaged plug with a BS1363/A 13 Amp 3 pin plug. If in doubt contact a qualified electrician.

Class II products are wired with live (brown) and neutral (blue) only are marked with the Class II symbol;



- A) Connect the BROWN live wire to the live terminal 'L'.
- B) Connect the BLUE neutral wire to the neutral terminal 'N'.
- C) After wiring, check that there are no bare wires and ensure that all wires have been correctly connected.

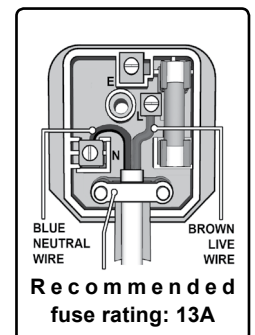
Ensure that the cable outer sheath extends inside the cable restraint and that the restraint is tight.

**DO NOT** connect either wire to the earth terminal.

Sealey recommend that repairs are carried out by a qualified electrician.

### 1.2. GENERAL SAFETY

- WARNING!** Ensure Health & Safety, local authority, and general workshop practice regulations are adhered to when using this equipment.
- WARNING!** Disconnect from electrical power before changing accessories or servicing.
- ✓ Maintain the polisher in good condition (use an authorised service agent).
- ✓ Replace or repair damaged parts. Use genuine parts only.
- ✓ Unauthorised parts may be dangerous and will invalidate the warranty.
- ✓ Use polisher in a suitable work area. Keep area clean, tidy and free from unrelated materials. Ensure that there is adequate lighting.
- ✓ Before use, check pad condition. If worn or damaged replace immediately.
- WARNING!** Always wear approved eye or face protection when operating the polisher.
- ✓ If dust is generated, use face, dust, or respiratory protection in accordance with COSHH regulations.
- ✓ Depending on use, polisher noise level may exceed 85dB - in which case wear safety ear defenders.
- ✓ Remove ill fitting clothing, ties, watches, rings, other loose jewellery and contain and/or tie back long hair.
- ✓ Wear appropriate protective clothing and keep hands and body clear of moving parts.
- ✓ Maintain correct balance and footing. Ensure the floor is not slippery and wear non-slip shoes.
- ✓ Keep children and unauthorised persons away from the work area.
- ✓ Always use the polisher with the side handle securely screwed in.
- ✓ Ensure the workpiece is correctly secured before operating the polisher. Never hold workpiece by hand and check the workpiece to ensure there are no protruding nails, screws, rivets, etc.
- ✓ Avoid unintentional starting.
- \* **DO NOT** use the polisher for a task it is not designed to perform.



- × **DO NOT** operate polisher if any parts are damaged or missing. This may cause failure and/or injury.
- ☐ **WARNING! DO NOT** polish any materials containing asbestos.
- × **DO NOT** carry the polisher by the electrical cable.
- × **DO NOT** use polisher with water, get the polisher wet or use in damp or wet locations, the polisher is for dry use only.
- × **DO NOT** operate polisher if you are tired or under the influence of alcohol, drugs or intoxicating medication.
- × **DO NOT** use where there are flammable liquids, solids or gases such as paint solvents or waste wiping or cleaning rags.
- × **DO NOT** leave the polisher running unattended.
- × **DO NOT** carry the polisher with your finger on the power switch.
- ✓ When not in use disconnect from power supply and store in a safe, dry, childproof area.

**1.3. LEAD PAINT WARNING!**

Paint once contained lead as a traditional ingredient. The dust from the removal of such paint is toxic if inhaled or ingested and must, therefore, be avoided. The following action must be taken before using the polisher on a surface that you suspect may have contained lead in the paint.

1. User must determine potential hazard relating to age of paint to be removed. (Modern paints do not contain lead).
2. **DANGER!** Keep all persons and pets away from the work area. The following are particularly vulnerable to the effects of lead paint dust: *Expectant women, babies and children.*
3. We recommend personal protection by using the following safety items:
  - a) Paint Spray Respirator (Sealey ref: SSP1699)
  - b) PE Coated Hooded Coverall (Sealey ref: SSP266)
  - c) Latex Gloves (Sealey ref: SSP24)
4. Take adequate measures to contain the paint dust, flakes, and scrapings.
5. Continue to wear safety equipment as in 3 above, and thoroughly clean all areas when task is complete. Ensure that paint waste is disposed of, in sealed bags or containers, according to local authority regulations.

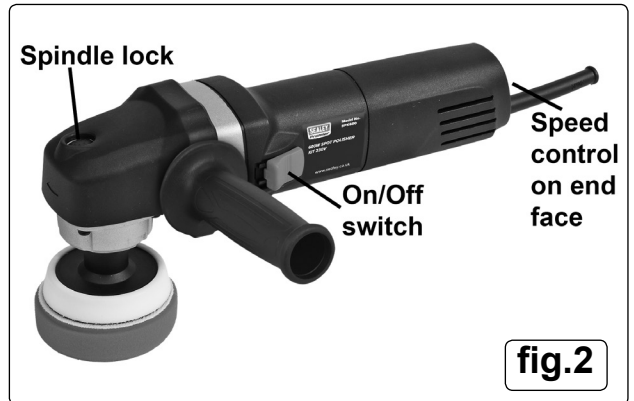
**2. INTRODUCTION**

Rotary spot polisher kit designed for spot polishing. Ergonomic slim body design. Six stage variable speed control from 700-2500rpm. Spindle lock for easy pad and shaft changes. Soft start for greater control. Fitted with 5m mains cable. Supplied with full spot polishing kit, side handle and spare brushes.

**3. SPECIFICATION**

Model No: ..... **SPK600**  
 Pad Size: ..... Ø1-3"  
 Motor Power: ..... 600W  
 Supply: ..... 230V  
 Free Speed: ..... 700-2500rpm  
 Thread size ..... M14  
 Cable length ..... 5m

**4. OPERATION**



- ☐ **WARNING!** Before use, ensure that you have read and understood Section 1 Safety Instructions.
  - 4.1. Attach the side handle by screwing into which side location is required.
  - 4.2. Screw required polishing disc and drive shaft into machine head. Depress the spindle lock (fig.2) to enable the drive shaft to be firmly engaged in the machine head using the supplied spanner.
  - 4.3. Plug the polisher into the electric power supply.
  - 4.4. Grip the side handle and turn on by pressing the On/Off switch (fig.2). Pressing the button forward and down will hold the trigger and allow for continuous running.
  - 4.5. To stop the polisher, depress the trigger and slide backwards to the Off location.
  - 4.6. The speed of the sander can be adjusted using the speed control wheel on the end face of the polisher (fig.2). Rotate the control clockwise to increase the speed or anti-clockwise to reduce the speed.
  - 4.7. Check that the unit is working correctly before use.
- NOTE:** The polisher is designed for dry use only. **DO NOT** use with water or any other liquids.

## 5. MAINTENANCE

- ❑ **WARNING!** Disconnect polisher from power supply before changing accessories, servicing or performing maintenance. Replace or repair any damaged parts. Use genuine parts only, unauthorised parts may be dangerous and will invalidate the warranty.
- 5.1. After each 50 hours use (or as required), remove dust by blowing air through the side vents and around the pad bearing. Regular cleaning will prolong the life of the polisher.
- 5.2. Change pads when required. Ensure pad and disc RPM ratings are equal to, or exceed the machine rating. If the disc becomes unbalanced, it will cause the bearings to wear.
- 5.3. When not in use store in a safe, dry, childproof location.
- 5.4. All other service and maintenance be carried out by an authorised Sealey stockist.



### WEEE REGULATIONS

Dispose of this product at the end of its working life in compliance with the EU Directive on Waste Electrical and Electronic Equipment (WEEE). When the product is no longer required, it must be disposed of in an environmentally protective way. Contact your local solid waste authority for recycling information.



### ENVIRONMENT PROTECTION

Recycle unwanted materials instead of disposing of them as waste. All tools, accessories and packaging should be sorted, taken to a recycling centre and disposed of in a manner which is compatible with the environment. When the product becomes completely unserviceable and requires disposal, drain any fluids (if applicable) into approved containers and dispose of the product and fluids according to local regulations.

**Note:** It is our policy to continually improve products and as such we reserve the right to alter data, specifications and component parts without prior notice.

**Important:** No Liability is accepted for incorrect use of this product.

**Warranty:** Guarantee is 12 months from purchase date, proof of which is required for any claim.

Sealey Group, Kempson Way, Suffolk Business Park, Bury St Edmunds, Suffolk. IP32 7AR



01284 757500



01284 703534



sales@sealey.co.uk



www.sealey.co.uk