



PORTABLE POWER BANK

MODEL NOS.: **SPB101, SPB102**

Thank you for purchasing a Sealey product. Manufactured to a high standard, this product will, if used according to these instructions, and properly maintained, give you years of trouble free performance.

IMPORTANT: PLEASE READ THESE INSTRUCTIONS CAREFULLY. NOTE THE SAFE OPERATIONAL REQUIREMENTS, WARNINGS & CAUTIONS. USE THE PRODUCT CORRECTLY AND WITH CARE FOR THE PURPOSE FOR WHICH IT IS INTENDED. FAILURE TO DO SO MAY CAUSE DAMAGE AND/OR PERSONAL INJURY AND WILL INVALIDATE THE WARRANTY. KEEP THESE INSTRUCTIONS SAFE FOR FUTURE USE.



Refer to instructions



Keep in dry area protect from rain



Electrical shock hazard



Warning: explosive material

1. SAFETY

1.1. ELECTRICAL SAFETY FOR USE OF POWER PACK

- WARNING!** It is the user's responsibility to read, understand and comply with the following electrical instructions:
 - You must ensure the risk of electric shock is minimised by the installation of appropriate safety devices.
- ✓ You must also read and understand the following instructions concerning electrical safety.
 - The Electricity At Work Act 1989 requires all portable electrical appliances, if used on business premises, to be tested by a qualified electrician, using a Portable Appliance Tester (PAT).
- ✓ The Health & Safety at Work Act 1974 makes owners of electrical appliances responsible for the safe condition of the appliance and the safety of the appliance operator. If in any doubt about electrical safety, contact a qualified electrician.
 - You must ensure that you:
 - ✓ Inspect the Power Pack, charge cables and connectors for wear and damage to ensure items are safe before use. If worn or damaged **DO NOT** use.
 - ✓ Uncoil used cables between Power Pack and devices when in use.
 - ✓ **DO NOT** pull the Power Pack from any sockets by the lead used.
 - ✗ **DO NOT** try to take the Power Pack apart.
 - ✗ **DO NOT** get the Power Pack wet, or use in wet, damp conditions (for indoor use only).
- WARNING!** Modern vehicles contain extensive electronic systems.
 - You are required to check with the vehicle Manufacturer, for any specific instructions regarding the use of this type of equipment on each vehicle. No liability will be accepted for damage / injury, where this product is not used in accordance with all instructions.

1.2. BATTERY SAFETY

- ✓ Recycle or dispose of used battery as stipulated by local regulation.
- ✓ Ensure the internal battery is fully charged before initial use.
- WARNING!** To reduce the risk of burns or fire:
 - ✗ **DO NOT** attempt to open, disassemble, modify or service the battery pack.
 - ✗ **DO NOT** crush, puncture, short external contacts or dispose of in fire or water.
 - ✗ **DO NOT** expose to temperatures above 60°C (140°F).
 - ✗ **DO NOT** move/handle/use the Power Pack when it is being charged.
 - ✗ **DO NOT** leave battery in a discharged state, recharge battery immediately. Before storage, fully recharge the battery, subsequently recharge the battery at least once every six months of non-use.

1.3. GENERAL SAFETY INSTRUCTIONS

- ✓ Familiarise yourself with the application and limitations of the Power Pack as well as the potential hazards.
- ✓ Keep children and unauthorised persons away from the working area.
- ✓ When not in use, store carefully in a safe, dry, childproof location.
- ✓ Use the cables provided with this unit only.
 - ✗ **DO NOT** short circuit this unit and keep it away from metal objects such as coins, keys, jewellery etc.
 - ✗ **DO NOT** pull the cables or clamps from any connections.
 - ✗ **DO NOT** use the unit outdoors, or in damp, or wet locations and **DO NOT** operate within the vicinity of flammable liquids or gases.
 - ✗ **DO NOT** use for a task for which it is not designed.
 - ✗ **DO NOT** modify or disassemble the Power Pack.
 - ✗ **DO NOT** drop unit. If unit receives a sharp blow or is otherwise damaged in any way have it checked by a qualified technician.

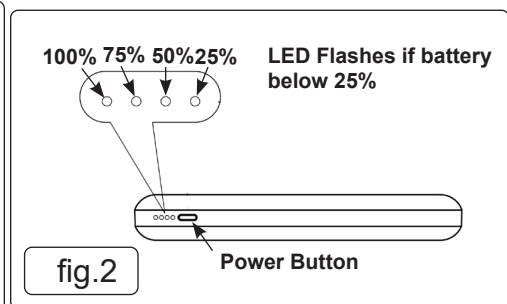
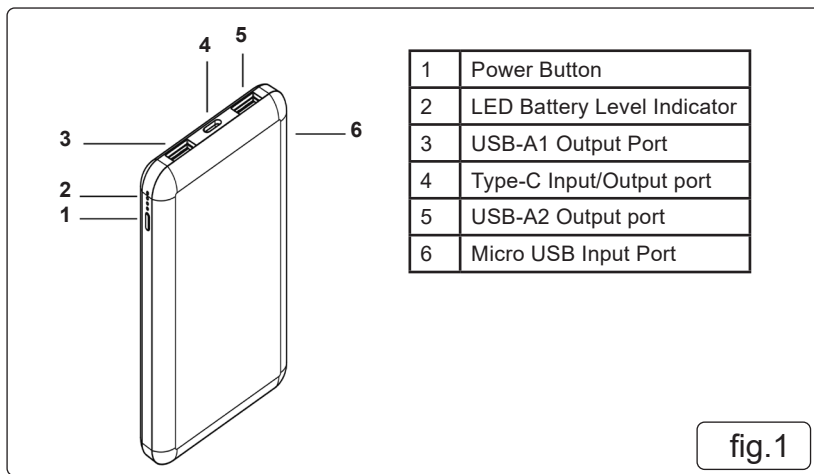
NOTE: This appliance can be used by children aged from 8 years and above and persons with reduced physical, sensory or mental capabilities or lack of experience and knowledge if they have been given supervision or instruction concerning use of the appliance in a safe way and understand the hazards involved. Children shall not play with the appliance. Cleaning and user maintenance shall not be made by children without supervision.

2. INTRODUCTION

Portable Power Bank. Pocket Size ideal for charging mobile phones whilst on the go. Suitable for both Micro USB and Type-C input cables (Type-C Cable not included). Includes built in Li-ion battery and battery level indicator. Supplied with Micro USB Charging cable.

Model No.:.....**SPB101, SPB102**
Dimensions (W x D x H):.....138 x 70 x 15.5mm
Inputs:1 x 5V/2A Micro USB, 1 x 5V/2.4A TYPE - C
Outputs:1 x 5V/1A 1 x 5V/2.4A
Capacity:.....10,000mAh / 20,000mAh
Accessories:.....1 x Micro USB Cable
Charge Times:.....5hrs on 5V/2A USB adaptor

3. OPERATION

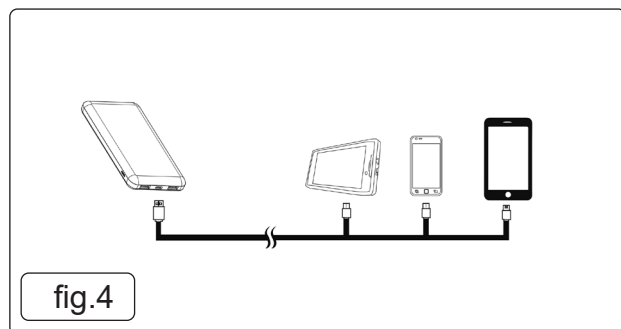
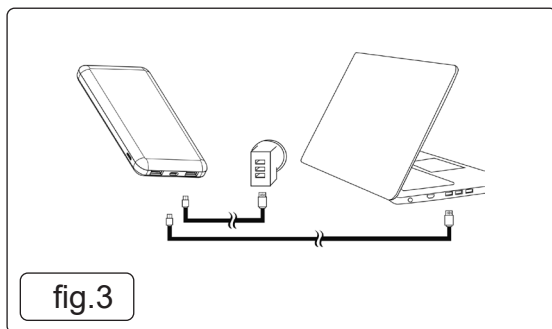


3.1. CHARGING THE POWER PACK

- 3.1.1. Insert the Micro USB or TYPE-C cable into the unit's relevant input port (fig.1.4, fig.1.6, fig.3).
- 3.1.2. Insert other end into either a USB wall charger (not supplied), a car accessory charger (not supplied) or the USB port on a computer (not supplied).
- 3.1.3. While charging, the LED indicator (fig.1.2, fig.2), will display battery level. One light flashing indicates 0-25%, all four lights lit indicates 100%. (fig.2)
- 3.1.4. To view battery state depress the power button (fig.1.1).

3.2. USING THE POWER PACK

- 3.2.1. To charge USB digital devices, select appropriate cable for your device. Plug the charging cable into TYPE-C (fig.1.4, fig.4) port.
- 3.2.2. Disconnect after use.



4. MAINTENANCE

- 4.1. After usage recharge the unit.
- 4.2. After charging / usage remove all cables / connections.
- 4.3. Use a clean, dry cloth to wipe down the unit after use.
- 4.4. Store in clean, dry environment with ambient temperature between 4°C and 30°C.

Parts support is available for these products. Please email sales@sealey.co.uk or telephone 01284 757500



ENVIRONMENT PROTECTION

Recycle unwanted materials instead of disposing of them as waste. All tools, accessories and packaging should be sorted, taken to a recycling centre and disposed of in a manner which is compatible with the environment. When the product becomes completely unserviceable and requires disposal, drain any fluids (if applicable) into approved containers and dispose of the product and fluids according to local regulations.



WEEE REGULATIONS

Dispose of this product at the end of its working life in compliance with the EU Directive on Waste Electrical and Electronic Equipment (WEEE). When the product is no longer required, it must be disposed of in an environmentally protective way. Contact your local solid waste authority for recycling information.



BATTERY REMOVAL

Under the Waste Batteries and Accumulators Regulations 2009, Jack Sealey Ltd are required to inform potential purchasers of products containing batteries (as defined within these regulations), that they are registered with Valpak's registered compliance scheme. Jack Sealey Ltd's Batteries Producer Registration Number (BPRN) is BPRN00705.

Note: It is our policy to continually improve products and as such we reserve the right to alter data, specifications and component parts without prior notice. Important: No Liability is accepted for incorrect use of this product.

Warranty: Guarantee is 12 months from purchase date, proof of which is required for any claim.

Sealey Group, Kempson Way, Suffolk Business Park, Bury St Edmunds, Suffolk. IP32 7AR



01284 757500



01284 703534



sales@sealey.co.uk



www.sealey.co.uk