



# BENCH TOP DRILL BIT SHARPENER

MODEL NO: **SMS2008**

Thank you for purchasing a Sealey product. Manufactured to a high standard, this product will, if used according to these instructions, and properly maintained, give you years of trouble free performance.

**IMPORTANT:** PLEASE READ THESE INSTRUCTIONS CAREFULLY. NOTE THE SAFE OPERATIONAL REQUIREMENTS, WARNINGS & CAUTIONS. USE THE PRODUCT CORRECTLY AND WITH CARE FOR THE PURPOSE FOR WHICH IT IS INTENDED. FAILURE TO DO SO MAY CAUSE DAMAGE AND/OR PERSONAL INJURY AND WILL INVALIDATE THE WARRANTY. KEEP THESE INSTRUCTIONS SAFE FOR FUTURE USE.



Refer to instructions



Wear eye protection



Wear protective gloves

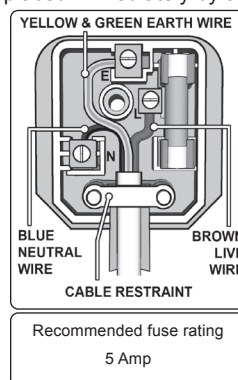


Wear ear protection

## 1. SAFETY

### 1.1. ELECTRICAL SAFETY

- ❑ **WARNING!** It is the user's responsibility to check the following:
  - Check all electrical equipment and appliances to ensure that they are safe before using. Inspect power supply leads, plugs and all electrical connections for wear and damage. Sealey recommend that an RCD (Residual Current Device) is used with all electrical products. You may obtain an RCD by contacting your local Sealey stockist.
  - If used in the course of business duties, it must be maintained in a safe condition and routinely PAT (Portable Appliance Test) tested. Electrical safety information, it is important that the following information is read and understood.
- ✓ Ensure that the insulation on all cables and on the appliance is safe before connecting it to the power supply.
- ✓ regularly inspect power supply cables and plugs for wear or damage and check all connections to ensure that they are secure.
- ✓ Ensure that the voltage rating on the appliance suits the power supply to be used and that the plug is fitted with the correct fuse - see fuse rating in these instructions.
- ✗ **DO NOT** pull or carry the appliance by the power cable.
- ✗ **DO NOT** pull the plug from the socket by the cable.
- ✗ **DO NOT** use worn or damaged cables, plugs or connectors. Ensure that any faulty item is repaired or replaced immediately by a qualified electrician.
- ✓ This product is fitted with a BS1363/A 13 Amp 3 pin plug.
  - If the cable or plug is damaged during use, switch off the electricity supply and remove from use. Ensure that repairs are carried out by a qualified electrician.
  - Replace a damaged plug with a BS1363/A 13 Amp 3 pin plug. If in doubt contact a qualified electrician.
  - a) Connect the GREEN/YELLOW earth wire to the earth terminal 'E'.
  - b) Connect the BROWN live wire to the live terminal 'L'.
  - c) Connect the BLUE neutral wire to the neutral terminal 'N'.



### 1.2. GENERAL SAFETY

- ✓ Disconnect the sharpener from the mains power before changing accessories, servicing or performing any maintenance.
- ✓ Maintain sharpener and stone in good condition. Check moving parts and alignment. If necessary use authorised service agent.
- ✓ Replace or repair damaged parts. Use genuine parts only. Unapproved parts may be dangerous and will invalidate the warranty.
- ✓ The grinding wheel or stone must only be changed by persons holding an appropriate grinding wheel certificate.
- ✓ Wear approved safety goggles, ear defenders and safety gloves.
- ✓ Remove ill fitting clothing. Remove ties, watches, rings, and other loose jewellery, and contain long hair.
- ✓ Use sharpener in a suitable work area, keep area clean, tidy and free from unrelated materials, and ensure adequate lighting.
- ✓ Maintain correct balance and footing. **DO NOT** over-reach and ensure the floor is not slippery. Wear non slip shoes.
- ✓ Keep non essential persons away from the working area.
- ✗ **DO NOT** operate the sharpener if any parts are missing or the sharpener is damaged.
- ✗ **DO NOT** use the sharpener for a task it was not designed to perform.
- ✗ **DO NOT** operate sharpener where there are flammable liquids or gasses.
- ✗ **DO NOT** get the sharpener wet or use in damp or wet locations.
- ✗ **DO NOT** switch the sharpener on whilst the stone is in contact with the workpiece.
- ✗ **DO NOT** touch the workpiece immediately after sharpening as it will be very hot.
- ✗ **DO NOT** try to cool the sharpening wheel with water or other lubricants.
- ✗ **DO NOT** touch the sharpening disc whilst operating, or whilst plugged into the mains power.
- ✗ **DO NOT** leave the sharpener running unattended.
- ✗ **DO NOT** operate the sharpener when you are tired or under the influence of alcohol, drugs or intoxicating medication.
- ✗ **DO NOT** attach modules if the wheel is still moving and **DO NOT** use without a module in place.
- ✓ Use for a maximum of 15 minutes continuous use.
- ✓ When not in use switch sharpener off, remove plug from power supply.

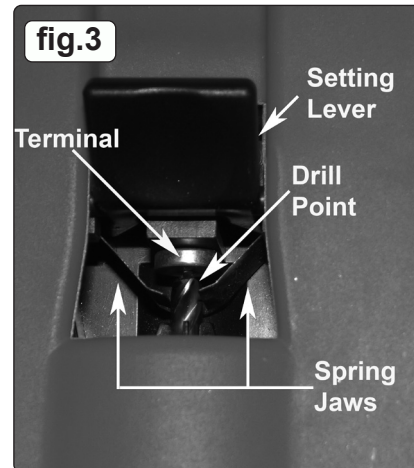
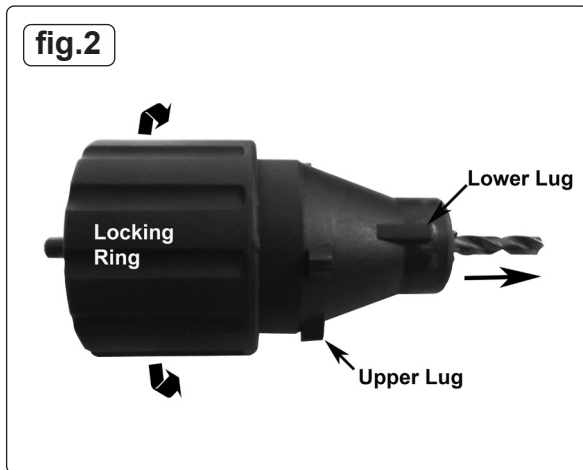
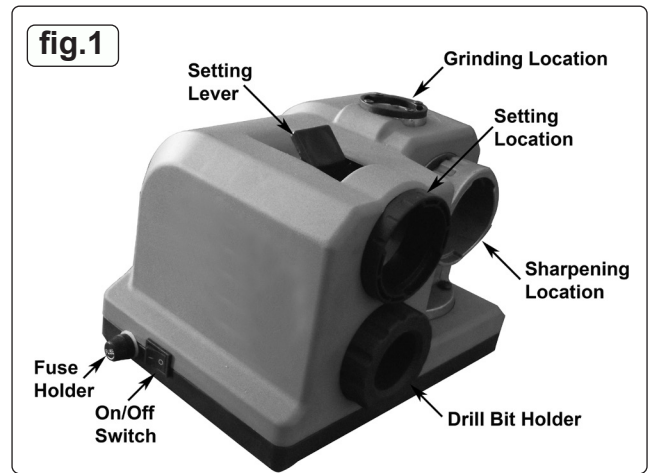
## 2. INTRODUCTION

Fast, simple and effective way to sharpen your drill bits. Gives a perfect angle/sharpened head to make drilling with your bit easier. Suitable for use with HSS Titanium, Cobalt and Carbon Steel bits in range Ø3-13mm.

## 3. SPECIFICATION

Model No:..... SMS2008  
Motor Power/supply: ..... 80W/230V  
No load speed:..... 4200rpm  
Minimum Drill Diameter:..... Ø3mm  
Maximum Drill Diameter:..... Ø13mm  
Replacement grinding wheel..... SMS2008.10

## 4. OPERATION



### 4.1. SETTING

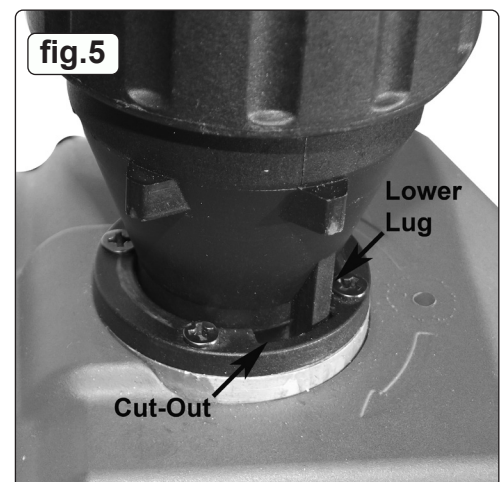
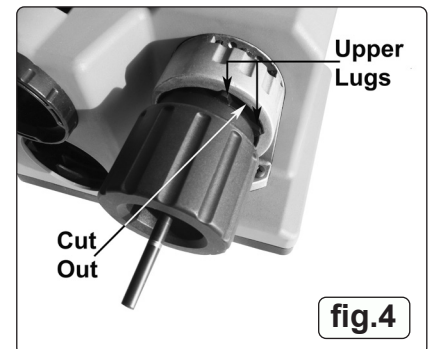
- 4.1.1. Remove the drill bit holder from its location.
- 4.1.2. Loosen the locking ring (fig.2) and insert the drill bit; tighten the locking ring lightly.
- 4.1.3. Lock the drill bit holder into the Setting Location whilst holding the setting lever (which controls the spring jaws) open, allowing the drill bit to be pushed back by the terminal (see fig.3). Ensure that the drill bit is inserted with the cutting edge of a flute vertically aligned, as in fig.2.
- 4.1.4. Tighten the locking ring fully before removing the drill bit holder from the Setting Location.

### 4.2. SHARPENING

- 4.2.1. The settings achieved in section 4.1. are transferred to the sharpener by moving the drill bit holder, complete with drill bit, to the Sharpening Location.
- 4.2.2. Switch the machine on by means of the on/off switch.
- 4.2.3. Insert the drill bit holder into the Sharpening Location ensuring that the upper lugs on the holder body are engaged with the cut-outs in the collar (fig.4).
- 4.2.4. Sharpen the drill bit by rocking the collar back and forth until the sound from the wheel diminishes.
- 4.2.5. Remove the drill bit holder, rotate through 180° and repeat step 4.2.4.
- 4.2.6. If an arrow head point has not been achieved, turn the drill bit through 90° in the holder and repeat from 4.1.2.

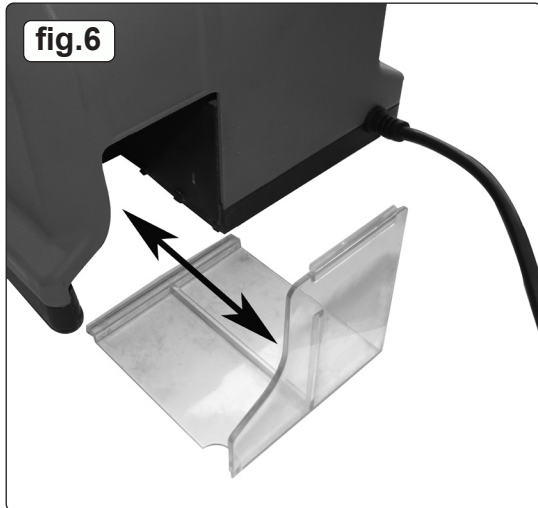
### 4.3. GRINDING

- 4.3.1. Switch the machine on.
- 4.3.2. Insert the drill bit holder into the Grinding Location, ensuring that the lower lugs engage in the cut-outs (see fig.5).
- 4.3.3. Work the drill bit holder back and forth until the grinding sound diminishes.
- 4.3.4. Remove the drill bit holder and re-insert having turned through 180°.
- 4.3.5. Repeat step 4.3.3. When complete, the drill bit will be sharpened and ready for use.



## 5. MAINTENANCE

- 5.1. Before cleaning disconnect from the mains. Keep clean and free from oil and grease, store in dry conditions.  
5.2. Metal filings can be cleared by removing the cover as in fig.6 and emptying the contents.



- 5.3. An internal fuse is fitted, accessed via the fuse holder next to the on/off switch, see fig.1.  
\* **DO NOT** replace with a fuse of a different rating.



### ENVIRONMENT PROTECTION

Recycle unwanted materials instead of disposing of them as waste. All tools, accessories and packaging should be sorted, taken to a recycling centre and disposed of in a manner which is compatible with the environment. When the product becomes completely unserviceable and requires disposal, drain any fluids (if applicable) into approved containers and dispose of the product and fluids according to local regulations.



### WEEE REGULATIONS

Dispose of this product at the end of its working life in compliance with the EU Directive on Waste Electrical and Electronic Equipment (WEEE). When the product is no longer required, it must be disposed of in an environmentally protective way. Contact your local solid waste authority for recycling information.

**Note:** It is our policy to continually improve products and as such we reserve the right to alter data, specifications and component parts without prior notice.

**Important:** No Liability is accepted for incorrect use of this product.

**Warranty:** Guarantee is 12 months from purchase date, proof of which is required for any claim.

Sealey Group, Kempson Way, Suffolk Business Park, Bury St Edmunds, Suffolk. IP32 7AR



01284 757500



01284 703534



sales@sealey.co.uk



www.sealey.co.uk