

SEALEY

Quality MACHINERY

INSTRUCTIONS FOR: COMPOUND MITRE SAW Model No: **SM8.V2**

Thank you for purchasing a Sealey product. Manufactured to a high standard this product will, if used according to these instructions and properly maintained, give you years of trouble free performance.



IMPORTANT: PLEASE READ THESE INSTRUCTIONS CAREFULLY. NOTE THE SAFE OPERATIONAL REQUIREMENTS, WARNINGS AND CAUTIONS. USE THIS PRODUCT CORRECTLY AND WITH CARE FOR THE PURPOSE FOR WHICH IT IS INTENDED. FAILURE TO DO SO MAY CAUSE DAMAGE AND/OR PERSONAL INJURY AND WILL INVALIDATE THE WARRANTY. PLEASE KEEP INSTRUCTIONS SAFE FOR FUTURE USE.

1. SAFETY INSTRUCTIONS

1.1. ELECTRICAL SAFETY

WARNING! It is the responsibility of the owner and the operator to read, understand and comply with the following:

You must check all electrical products, before use, to ensure that they are safe. You must inspect power cables, plugs, sockets and any other connectors for wear and damage. You must ensure that the risk of electric shock is minimised by the installation of appropriate safety devices. A Residual Current Circuit Breaker (RCCB) should be incorporated in the main distribution board. We also recommend that a Residual Current Device (RCD) is used. It is particularly important to use an RCD with portable products that are plugged into a supply which is not protected by an RCCB. If in any doubt consult a qualified electrician. You may obtain a Residual Current Device by contacting your Sealey dealer. **You must** also read and understand the following instructions concerning electrical safety.

1.1.1. The **Electricity At Work Act 1989** requires all portable electrical appliances, if used on business premises, to be tested by a qualified electrician, using a Portable Appliance Tester (PAT), at least once a year.

1.1.2. The **Health & Safety at Work Act 1974** makes owners of electrical appliances responsible for the safe condition of those appliances and the safety of the appliance operators. **If in any doubt about electrical safety, contact a qualified electrician.**

1.1.3. Ensure that the insulation on all cables and on the appliance itself is safe before connecting it to the power supply. See 1.1.1. & 1.1.2. and use a Portable Appliance Tester.

1.1.4. Ensure that cables are always protected against short circuit and overload.

1.1.5. Regularly inspect power supply cables and plugs for wear and damage and check all connections, to ensure that none is loose.

1.1.6. **Important:** Ensure the voltage marked on the appliance matches the power supply to be used and that the plug is fitted with the correct fuse - see fuse rating at right.

1.1.7. **DO NOT** pull or carry the appliance by the power cable.

1.1.8. **DO NOT** pull the plug from the socket by the cable.

1.1.9. **DO NOT** use worn or damage cables, plugs or connectors. Immediately have any faulty item repaired or replaced by a qualified electrician. When an ASTA/BS approved UK 3 pin plug is damaged, cut the cable just above the plug and **dispose of the plug safely.**


Fit a new plug according to the following instructions (UK only).

a) **Note that this saw is double insulated and therefore there is no GREEN/YELLOW earth wire.**

b) **Connect the BROWN live wire to live terminal 'L'.**

c) **Connect the BLUE neutral wire to the neutral terminal 'N'.**

d) **After wiring, check that there are no bare wires, that all wires have been correctly connected, that the cable outer insulation extends beyond the cable restraint and that the restraint is tight.**

Double insulated products, which are always marked with this symbol , are fitted with live (brown) and neutral (blue) wires only. To re-wire, connect the wires as indicated above - **DO NOT** connect either wire to the earth terminal.

1.1.10. Products which require more than 13 amps are supplied without a plug. In this case you must contact a qualified electrician to ensure that a suitably rated supply is available. We recommend you discuss the installation of a industrial round pin plug and socket with your electrician.

1.1.11. If an extension reel is used it should be fully unwound before connection. A reel with an RCD fitted is preferred since any appliance plugged into it will be protected. The cable core section is important and should be at least 1.5mm², but to be absolutely sure that the capacity of the reel is suitable for this product and for others that may be used in the other output sockets, we recommend the use of 2.5mm² section cable. I extension reel is to be used outdoors, ensure it is marked for outdoor use.

1.2. GENERAL SAFETY

✓ Familiarise yourself with the applications, limitations and potential hazards of the saw.

❑ **WARNING!** Disconnect the saw from the mains power before changing accessories, servicing or performing any maintenance.

✓ The machine must only be serviced by a qualified person or service agent. Contact your Sealey dealer for information.

✓ Select a work area suitable for the saw and keep the area clean, tidy and free from unrelated materials. Ensure that there is adequate lighting.

✓ Permanently mount the saw on a supporting surface strong enough to take the weight of the machine and workpiece.

✓ Wood dust can be harmful to health by inhalation and skin contact. Concentrations of small dust particles in the air can form an explosive mixture. Ensure that there is adequate ventilation and that the saw is attached to a dust-extraction unit.

✓ Maintain the saw in good condition, check moving parts alignment regularly. Keep saw blades clean and sharp.

✓ Replace or repair damaged parts. *Use recommended parts only. Unauthorised parts may be dangerous and will invalidate the warranty.*

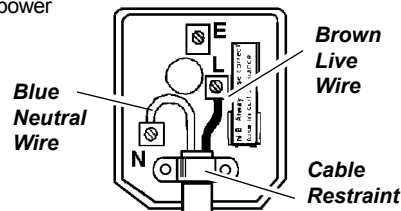
❑ **WARNING!** Keep all guards and holding screws in place, tight and in good working order. Check regularly for damaged parts.

A guard, or any other part, that is damaged should be repaired or replaced before the saw is next used. The safety guard is a mandatory fitting where the saw is used in premises covered by the Health & Safety at Work Act.

✓ Before commencing work, ensure the saw blade is set to cut in the correct direction, securely fastened, sharp and is compatible with the machine, spindle speed and the material to be cut. Never use a saw blade if damaged, bent or warped. Use only recommended saw blades.

✓ Remove adjusting keys and wrenches from the machine and the vicinity before switching on.

✓ Machine operators must have received sufficient training and instructions relating to the dangers associated with the machine, the precautions to be observed and the requirements of the Wood Working Machines Regulations. Operators must be under the adequate supervision of a person who has a thorough knowledge and experience of the machine and the appropriate regulations.



FUSE RATING
THIS PRODUCT MUST BE FITTED
WITH A
13 AMP FUSE

- X **DO NOT** operate the saw if any parts are damaged or missing as this may cause failure and/or personal injury.
- X **DO NOT** operate the saw when you are tired or under the influence of alcohol, drugs or intoxicating medication.
- ✓ When not in use switch off the saw and unplug from the power supply.
- WARNING!** Wear approved safety eye protection, ear defenders and, if dust is generated, respiratory protection.
- ✓ Remove ill fitting clothing. Remove ties, watches, rings and other loose jewellery and contain long hair.
- ✓ Keep hands and body clear of the blade when operating the saw.
- ✓ Maintain correct balance and footing. Ensure the floor is not slippery and wear non-slip shoes.
- ✓ Keep children and unauthorised persons away from the work area.
- ✓ Avoid unintentional starting and never leave the saw operating unattended.
- X **DO NOT** use the saw for a task it is not designed to perform and ensure operators are trained to use the saw.
- X **DO NOT** get the saw wet or use in damp or wet locations or areas where there is condensation.
- X **DO NOT** use the saw where there are flammable liquids, solids or gases such as paint solvents and including waste cleaning rags etc.

1.3. SPECIFIC SAW SAFETY RULES

- ✓ Connect to a suitable extraction system. Failure to do so will result in the build-up of sawdust which could become a fire hazard.
- ✓ Keep blade guard in place and operational.
- WARNING!** Before each use, check that the saw blade is secure and not worn or damaged.
- ✓ Check workpiece to ensure that there are no nails or other items which may foul the saw blade.
- ✓ Hold the workpiece firmly against the fence.
- ✓ Avoid subjecting the saw blade to excessive strain - never force the blade down. Maintain a controlled, steady progression.
- ✓ Should the saw blade jam, switch the power off immediately to prevent damage to the motor.
- ✓ Provide adequate support to the sides of the saw table for long or wide workpieces.
- X **DO NOT** place yourself in an awkward operating position where a slip could cause your hand to move into the cutting blade.
- X **DO NOT** stand, or have any part of your body, in line with the path of the saw blade.
- X **DO NOT** hold what will become the off-cut (the waste part of the workpiece).
- WARNING! DO NOT** put hands anywhere near the blade whilst it is rotating.
- WARNING! DO NOT** attempt to free a jammed saw blade without first switching off or removing the plug from the mains power supply.
- X **DO NOT** cut metals or substances that may produce toxic dust. **Saw must only be used to cut wood or wood derived substances and plastics.**
- X **DO NOT** attempt to cut round section wood.
- X **DO NOT** use solvent to clean plastic parts, it may damage them. Use a soft damp cloth only.
- ✓ Store blades in a safe, dry childproof location.

2. SPECIFICATION

Motor 230V - 1050W	Capacity at 45° 50 x 70mm
Blade speed 4800rpm	Capacity at 45° and 90° 80 x 50mm
Saw blade Ø205mm x 30mm	Dust extraction port Ø 38mm
Capacity at 90° 80 x 80mm	Weight 6.6kg

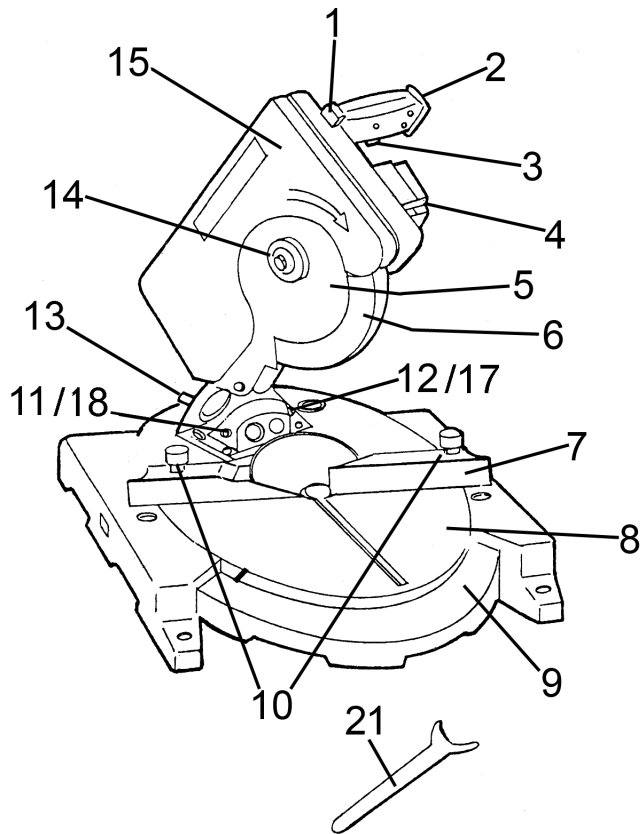
3. INSTALLATION

- WARNING! ENSURE THAT THE SAW IS NOT CONNECTED TO THE MAINS POWER WHEN INSTALLING.**
The SM8.V2 saw is supplied fully assembled and only requires to be bench mounted and connected to a dust-extraction system.
- 3.1. Mounting**
The saw should be bolted to a sturdy workbench. Ensure that the supporting surface is strong enough to take the weight of the saw and any workpiece. Position the saw in a suitable work area with enough clearance to allow room when working with large workpieces. Ensure that there is adequate lighting and that the saw blade can be clearly seen.
- 3.2. Extraction**
Connect the outlet (fig.2.19) to a suitable dust-extraction system.
- WARNING!** *Wood dust can be harmful by inhalation and skin contact. Concentrations of small dust particles in the air can form an explosive mixture. Therefore, ensure that there is adequate ventilation and that the saw is attached to a dust-extraction unit.*

4. ADJUSTMENTS

- WARNING! ALWAYS DISCONNECT SAW FROM THE MAINS POWER BEFORE MAKING ANY ADJUSTMENTS.**
- 4.1. Table**
 - 4.1.1. To adjust the table (fig.1.8) loosen the two locking screws (fig.1.10). The table can now be rotated.
 - 4.1.2. At the front of the base plate is a datum line, align table to the required angle on the scale, then tighten locking screws.
- 4.2. Blade**
 - 4.2.1. To open saw, lightly press down on the handle (fig.1.2) and at the same time pull out the locking pin (fig.2.16). Control the spring-loaded saw arm up until it reaches the fully raised position.
 - 4.2.2. The blade can be tilted by up to 45° to the left by loosening the clamp screw (fig.1.13) using an allen key. Adjust to the required angle and then firmly re-tighten the clamp screw.
Initial set-up - before first use, set blade angle to 0° on scale and confirm, using a square, that the blade is at 90° to the table (fig.3.A). If it is not correct, loosen lock nut and adjust stop screw (fig.3.12 & 17) to give 90°, retighten lock nut.
Also set the blade to 45° and check that the blade to table angle is 45° (fig.4.A). Any required adjustment is provided by lock nut and stop screw on the opposite side (fig.4.11&18).
- 4.3. Changing the blade**
 - 4.3.1. Move the saw arm / blade up to full height.
 - 4.3.2. Remove the guard screw (fig.5.20), unclip the blade cover at the rear, and then hinge the cover upwards (fig.5.15).
 - 4.3.3. Use the blade locking tool (fig.5.21) to hold the outer blade flange whilst undoing the blade retaining bolt, by turning it clockwise (LH thread) with an allen key (fig.5.B). Remove the outer blade flange and the saw blade with care. Wear suitable protective gloves to protect the hands from the blade, which is very sharp. Note order of all components.
 - 4.3.4. When fitting the new blade it is very important to ensure that the direction arrow on the blade matches the arrow on the blade guard. Clean shaft and flanges, then fit washer, blade, outer blade flange and bolt. Fully tighten bolt.
 - 4.3.5. Hinge down the cover into place and fully tighten retaining screw.

fig.1



Reference Guide

- 1. Release button
- 2. Handle
- 3. On/Off switch
- 4. Motor housing
- 5. Saw blade
- 6. Saw blade guard
- 7. Stop rail
- 8. Rotary table
- 9. Fixed base plate
- 10. Rotary table locking screws
- 11. Adjusting screw 45°
- 12. Adjusting screw 90°
- 13. Clamping screw
- 14. Saw blade bolt
- 15. Saw blade cover
- 16. Arm locking knob (fig.2)
- 17. Adjusting nut 90°
- 18. Adjusting nut 45°
- 19. Dust extractor port (fig.2)
- 20. Guard screw (fig.4)
- 21. Blade locking tool

fig.2

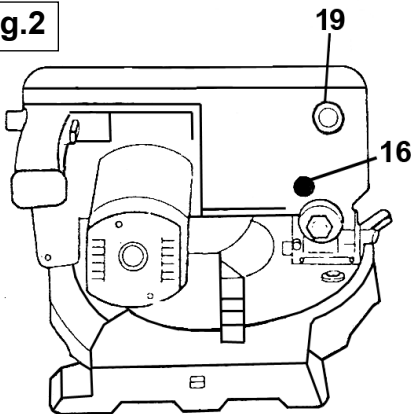


fig.3

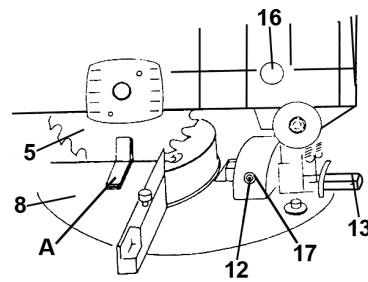


fig.4

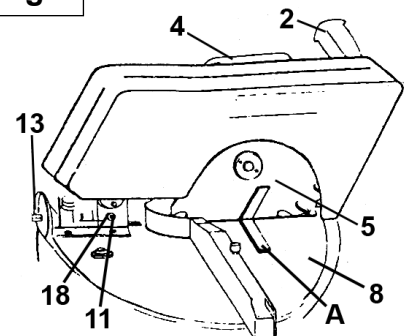
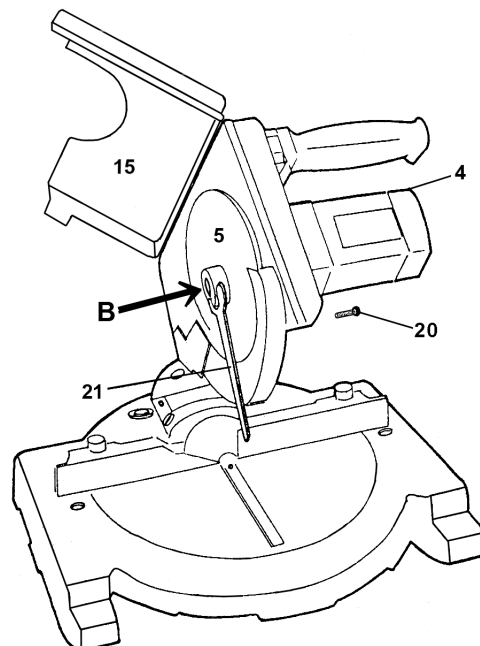


fig.5



5. OPERATING INSTRUCTIONS

WARNING! As with all power tools, there are potential hazards involved in the use of this saw. It is, therefore, vital to ensure that you have read and understood all the safety instructions in Section 1.

Familiarise yourself again with the specific saw safety rules for each step of the following operation. Failure to do so could cause serious damage and/or personal injury and may invalidate your warranty. Disconnect the saw from the mains power before making any adjustments or removing/fitting the blade. Ensure that all screws and nuts are secure and that the blade is in good condition and correctly fitted. ALWAYS wear approved safety eye protection.

- 5.1. Set the required table angle and blade angle (see 4.1. & 4.2.). Leave blade in raised position.
 - 5.2. When you have completed the cut, the waste off-cut will either remain on the saw table and workpiece supports or fall off, depending upon size. Before starting, therefore, consider how you will handle the off-cut.
 - 5.3. Plug the saw into the mains power supply.
 - 5.4. Hold the workpiece securely against the fence.
▲ **DANGER!** Ensure that your hand cannot come into contact with the blade.
 - 5.5. Hold the saw handle (fig.1.2) and squeeze the On/Off switch trigger (fig.1.3). When the blade has reached maximum speed press the release button (fig.1.1) and bring the blade down onto the workpiece.
 - 5.6. Slowly move the blade down through the workpiece. Do not try to force the blade through the wood, use light pressure only.
 - 5.7. When the cut is complete allow the blade to rise to the upper position and release the trigger switch to turn off the saw.
- WARNING! DO NOT attempt to pick up an off-cut or to remove a clamped workpiece before the saw blade has completely stopped.**

6. MAINTENANCE

- WARNING!** Disconnect the saw from the mains power before changing accessories, servicing or performing any maintenance.
- 6.1. Regularly clean the saw to remove dirt, dust and chips using a brush and cloths. Oil moving parts. If compressed air is used for cleaning remember to wear protective goggles and keep other personnel at a safe distance.
 - 6.2. Ensure that the motor's vents are clear at all times.
 - 6.3. Clean plastic components with water and detergent, never use caustic or abrasive cleaners.

7. DECLARATION OF CONFORMITY

Declaration of Conformity We, the sole importer into the UK, declare that the product listed below is in conformity with the following standards and directives.

**COMPOUND MITRE SAW
MODEL SM8.V2**

73/23/EEC Low Voltage Directive
89/336/EEC EMC Directive
98/37/EC Machinery Directive
93/68/EEC Marking Directive



The construction file for this product is held by the Manufacturer and may be inspected, by a national authority, upon request to Jack Sealey Ltd.

Signed by Steve Buckle

24th August 2006

For Jack Sealey Ltd. Sole importer into the UK of Sealey Quality Machinery.

NOTE: It is our policy to continually improve products and as such we reserve the right to alter data, specifications and component parts without prior notice.

IMPORTANT: No responsibility is accepted for incorrect use of this equipment.

WARRANTY: Guarantee is 12 months from purchase date, proof of which will be required for any claim.

INFORMATION: For a copy of our latest catalogue and promotions call us on 01284 757525 and leave your name and address, including postcode.



Sole UK Distributor
Sealey Group,
Bury St. Edmunds, Suffolk.



01284 757500



01284 703534



www.sealey.co.uk



sales@sealey.co.uk