



INSTRUCTIONS FOR:

190mm BANDSAW Model No: **SM62**

Thank you for purchasing a Sealey product. Manufactured to a high standard this product will, if used according to these instructions and properly maintained, give you years of trouble free performance.



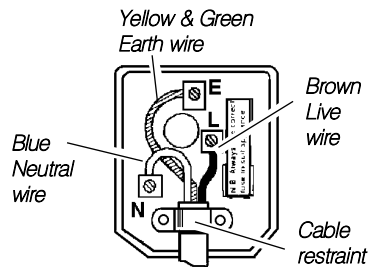
IMPORTANT: PLEASE READ THESE INSTRUCTIONS CAREFULLY. NOTE THE SAFE OPERATIONAL REQUIREMENTS, WARNINGS AND CAUTIONS. USE THIS PRODUCT CORRECTLY AND WITH CARE FOR THE PURPOSE FOR WHICH IT IS INTENDED. FAILURE TO DO SO MAY CAUSE DAMAGE AND/OR PERSONAL INJURY, AND WILL INVALIDATE THE WARRANTY. PLEASE KEEP INSTRUCTIONS SAFE FOR FUTURE USE.

1. SAFETY INSTRUCTIONS

1.1. ELECTRICAL SAFETY. **WARNING! It is the user's responsibility to read, understand and comply with the following:**

You must check all electrical equipment and appliances to ensure they are safe before using. You must inspect power supply leads, plugs and all electrical connections for wear and damage. You must ensure the risk of electric shock is minimised by the installation of appropriate safety devices. An RCCB (Residual Current Circuit Breaker) should be incorporated in the main distribution board. We also recommend that an RCD (Residual Current Device) is used with all electrical products. It is particularly important to use an RCD with portable products that are plugged into an electrical supply not protected by an RCCB. If in doubt consult a qualified electrician. You may obtain a Residual Current Device by contacting your Sealey dealer. **You must** also read and understand the following instructions concerning electrical safety.

- 1.1.1. The **Electricity At Work Act 1989** requires all portable electrical appliances, if used on business premises, to be tested by a qualified electrician, using a Portable Appliance Tester (PAT), at least once a year.
- 1.1.2. The **Health & Safety at Work Act 1974** makes owners of electrical appliances responsible for the safe condition of the appliance and the safety of the appliance operator. **If in any doubt about electrical safety, contact a qualified electrician.**
- 1.1.3. Ensure the insulation on all cables and the product itself is safe before connecting to the mains power supply. See 1.1.1. & 1.1.2. above and use a Portable Appliance Tester (PAT).
- 1.1.4. Ensure that cables are always protected against short circuit and overload.
- 1.1.5. Regularly inspect power supply, leads, plugs for wear and damage and all electrical connections to ensure that none is loose.
- 1.1.6. **Important:** Ensure the voltage marked on the product is the same as the electrical power supply to be used and check that plugs are fitted with the correct capacity fuse. A 13 amp plug may require a fuse smaller than 13 amps for certain products, see fuse rating at right.
- 1.1.7. **DO NOT** pull or carry the powered appliance by its power supply lead.
- 1.1.8. **DO NOT** pull power plugs from sockets by the power cable.
- 1.1.9. **DO NOT** use worn or damaged leads, plugs or connections. Immediately replace or have repaired by a qualified electrician. A U.K. 3 pin plug with ASTA/BS approval is fitted. In case of damage, cut off and fit a new plug according to the following instructions (discard old plug safely).



FUSE RATING
THIS PRODUCT MUST BE FITTED WITH A
5 AMP FUSE

(UK only - see diagram at right). **Ensure the unit is correctly earthed via a three-pin plug.**

a) Connect the GREEN/YELLOW earth wire to the earth terminal 'E'.

b) Connect the BROWN live wire to live terminal 'L'.

c) Connect the BLUE neutral wire to the neutral terminal 'N'.

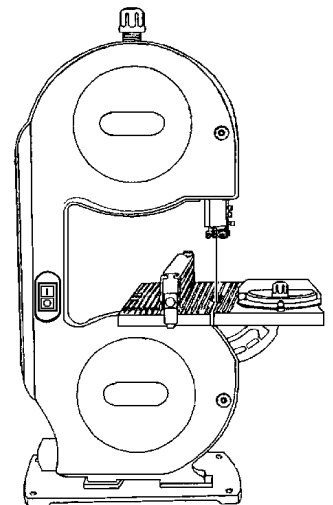
b) After wiring, check that there are no bare wires, that all wires have been correctly connected, that cable outer insulation extends beyond the cable restraint and that the restraint is tight.

Double insulated products are often fitted with live (BROWN) and neutral (BLUE) wires only. Double insulated products are always marked with this symbol . **To re-wire, connect the brown & blue wires as indicated above. DO NOT connect the brown or blue to the earth terminal.**

- 1.1.10. Some products require more than a 13 amp electrical supply. In such a case, **NO** plug will be fitted. **You must** contact a qualified electrician to ensure a 30 amp fused supply is available. We recommend you discuss the installation of a industrial round pin plug and socket with your electrician.
- 1.1.11. **Cable extension reels.** When a cable extension reel is used it should be fully unwound before connection. A cable reel with an RCD fitted is recommended since any product which is plugged into the cable reel will be protected. The section of the cores of the cable is important. We suggest 1.5mm² section as a minimum but to be absolutely sure that the capacity of the cable reel is suitable for this product and for others that may be used in the other output sockets, we recommend the use of 2.5mm² section cable.

1.2 GENERAL SAFETY

- WARNING!** Disconnect the saw from the mains power before changing saw blades and accessories, servicing or performing maintenance.
- Mount the saw to a secure surface such as a work table, workbench or floor. Keep area clean and tidy and free from unrelated materials and ensure there is adequate lighting.
- Maintain the saw in good condition (use authorised service agent only).
- Replace or repair damaged parts. *Use recommended parts only. Non-authorised parts may be dangerous and will invalidate the warranty.*
- Keep the machine clean and the blade sharp for best and safest performance. Check moving parts alignment regularly.
- Before each use check saw blade condition. If worn or damaged replace immediately.
- Place the blade guard to within 1/8" of the material being cut.
- WARNING!** Keep all safety guards and holding screws in place, tight and in good working order. Check regularly for damaged parts. A guard or any other part that is damaged should be repaired or replaced before the saw is next used. The safety guard is a mandatory fitting.
- Remove adjusting keys and wrenches from the saw before turning it on.
- Wear approved safety eye protection, ear defenders, safety gloves and, if dust is generated, respiratory protection.
- Remove ill fitting clothing. Remove ties, watches, rings, and other loose jewellery, and contain long hair.
- Maintain correct balance and footing. Ensure the floor is not slippery and wear non-slip shoes.
- Keep children and unauthorised persons away from the working area.
- Secure unstable work piece with a clamp, vice or other adequate holding device.
- Avoid unintentional starting.
- Keep hands and fingers at a safe distance from the saw blade, especially at the end of a cut. Guide the work with a piece of wood or push rod rather than your fingers when cutting small pieces.



1.2 GENERAL SAFETY Continued

- ✓ Disconnect the saw from the power supply before removing wood chips or dust.
- ✓ Use a workpiece support when sawing material which extends beyond the saw table.
- x **DO NOT** operate the machine if damaged.
- x **DO NOT** operate the machine if any parts are missing as this may cause failure and/or personal injury.
- x **DO NOT** use saw blades which are damaged or deformed. Use only Sealey blades and spare parts. Non-standard blades can be dangerous.
- x **DO NOT** get the saw wet or use in damp or wet locations or areas where there is condensation.
- x **DO NOT** expose the saw housing to flame or high temperature.
- x **DO NOT** allow untrained persons to operate the saw.
- x **DO NOT** use saw where there are flammable liquids, solids or gases such as paint solvents and including waste wipers or cleaning rags etc.
- x **DO NOT** leave the saw operating unattended.
- x **DO NOT** operate the saw when you are tired or under the influence of alcohol, drugs or intoxicating medication.
- x **DO NOT** use the saw for a task it is not designed to perform.
- ✓ When not in use switch off the saw and unplug from the mains power.

2. DESCRIPTION & SPECIFICATION

The SM62 bandsaw is designed for cutting wood and is equipped with a tilt table, mitre gauge and an easily positioned fence.

Throat Depth190mm	Table Size290 x 290 mm
Max. Cutting Height86mm	Table Adjustment . . .0 to 45°
Cutting Speed822m/min	Dust Extraction Port Ø45mm
Blade Length1425mm	Weight16kg
Motor Power350W	
Power Supply230V.AC. - 1ph	

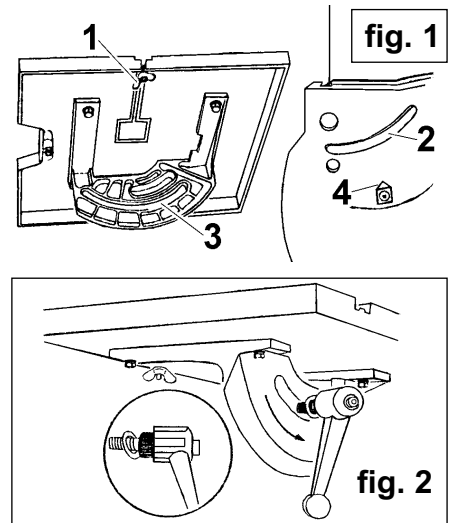
3. ASSEMBLY

Unpack the product and check contents for damage. Should there be any damaged or missing parts contact your supplier immediately.

Package content: Bandsaw, Table, Mitre Gauge, Fence, Handle & Washer (table lock), Hex. Wrench x 2.

3.1. Assembly

- 3.1.1. Remove the table aligning screw and nut (fig.1.1) from the table edge.
- 3.1.2. Place the saw table onto the saw frame. Slide the saw blade through the slot in the table and engage the rib (fig 1.2) in the groove in the table bracket (fig.1.3).
- 3.1.3. Fit plain washer over threaded section of table lock handle and screw handle into saw frame to retain table (see fig.2).
- 3.1.4. Re-fit the table aligning screw and nut.
- 3.1.5. Using a set square, position table at right angles to the blade and the adjust pointer (fig.1.4) to align with 0° on table scale.
- 3.1.6. **Important!** Bolt saw to a firm, stable work surface capable of supporting the saw and any workpiece. **DO NOT** attempt to use the saw as a free-standing unit as it may topple over during use and cause damage and/or personal injury.
- 3.1.7. Connect extraction port (fig.3.A) to dust extractor system (if available) .



4. ADJUSTMENTS

WARNING! ENSURE THE BANDSAW IS DISCONNECTED FROM THE MAINS POWER SUPPLY BEFORE ATTEMPTING ANY ADJUSTMENTS.

4.1. Changing the blade

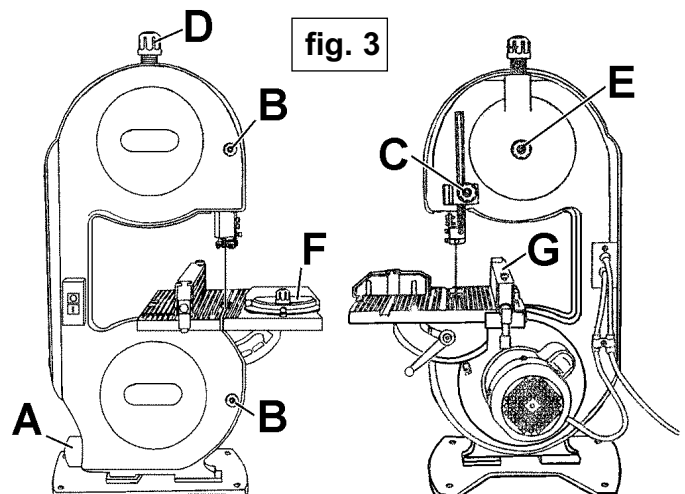
- 4.1.1. Using a screw driver, unscrew the two blade cover retainers (fig.3.B) and open the cover by pulling knobs.
- 4.1.2. Loosen upper blade guide adjusting knob (fig.3.C) and position guide at approximately mid travel. Tighten adjusting knob.
- 4.1.3. Loosen the two blade guard mounting screws (fig.4.A) and remove the guard.
- 4.1.4. Remove the table aligning screw (fig.1.1).
- 4.1.5. Turn the blade tension knob (fig.3.D) anticlockwise to slacken the blade and then carefully remove the blade.
- 4.1.6. Install the new saw blade. Be sure the teeth are pointing down.
- 4.1.7. Adjust the new blade to the correct tension (see 4.2.).
- 4.1.8. Reinstall the upper blade guard and the table aligning screw.
- 4.1.9. Close and secure the blade cover.

4.2. Adjusting blade tension

- 4.2.1. Open blade cover and ensure that blade is centred on both wheel rims.
- 4.2.2. Turn the blade tension knob (fig.3.D) - clockwise to tighten, anticlockwise to slacken - to adjust the blade tension. Correct tension is reached when the blade gives slightly to firm finger pressure at mid-span. Do not over-tighten.
- 4.2.3. Close and secure the blade cover.

4.3. Adjusting blade tracking

- 4.3.1. Open blade cover and carefully rotate upper wheel clockwise, by hand, to determine whether blade is tracking correctly - on the centre of each wheel rim.
- 4.3.2. If adjustment is needed, turn the tracking knob (fig.3.E) whilst continuing to turning the upper blade wheel. Note the effect on the tracking and adjust tracking knob until tracking is correct.
- 4.3.3. Close and secure the blade cover.



4.4. Upper blade guide position

4.4.1. The upper blade guide should always be adjusted to about 3mm (1/8") above workpiece. To adjust, loosen the adjusting knob (fig.3.C) and slide the assembly to the required position. Tighten adjusting knob.

4.5. Upper and lower blade guide adjustment

4.5.1. Open blade cover.

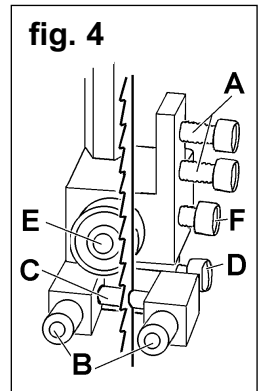
4.5.2. Remove the upper blade guard by loosening blade guard mounting screws (fig.4.A).

4.5.3. Loosen the two screws (B) and adjust the blade guides (C) as close as possible to the sides of the blade. Do not pinch the blade. Tighten the two screws (B).

4.5.4. Loosen screw (D) and move the guide bracket in or out until the front edges of the guides are just behind the teeth roots. Tighten screw (D).

4.5.5. The blade support bearing (E) prevents the saw blade from being pushed too far back when cutting. It should be adjusted to 0.75mm (1/32") behind the blade by loosening the screw (F), positioning the bearing and then tightening the screw.

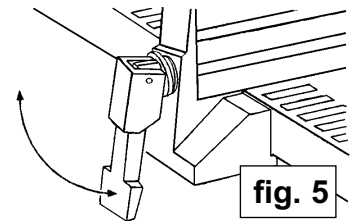
Notes:
a) Always check and adjust both upper and lower guides at the same time.
b) Always carry out these checks/adjustments every time the blade is changed.
c) The blade will be damaged if the teeth contact the guides (C).



4.6. Mitre gauge and fence

4.6.1. The mitre gauge (fig.3.F), which locates in the table slot, is adjustable through 60° in either direction. Loosen the central locking knob, adjust and then tighten locking knob.

4.6.2. The fence (fig.3.G) may be moved or locked in place by raising or lowering the lock handle (fig.5).



5. OPERATING INSTRUCTIONS

5.1. Cross cutting

To cut wood at right angles to the grain. This type of cut can be made freehand but using the mitre guide ensures accurate results. The guide can also be adjusted to a 45° angle to produce mitre cuts, or compound mitre cuts with the table tilted. Ensure the work is held firmly against the table and against the face of the mitre guide. **WARNING!** Keep your fingers away from the blade, particularly at the end of the cut. Use a piece of wood or a push stick.

5.2. Freehand

When freehand cutting, select the widest blade suitable for cutting the smallest radius in the work you have planned (see chart below). Always feed the work slowly to follow your saw line. Ensure you do not drag the work off-line forcing the blade sideways or twisting it. It may be helpful to make an initial rough cut about 5mm away from the line. For difficult curves which may be too tight for the blade, make relief cuts on the face of the curve so the wood being cut away will fall away as the final radius is cut.

Blade width	Minimum cutting radius
1/8"	5mm
1/4"	16mm
3/8"	35mm

6. MAINTENANCE

WARNING! ENSURE THE MACHINE IS DISCONNECTED FROM THE MAINS POWER SUPPLY BEFORE CARRYING OUT ANY MAINTENANCE.

6.1. Changing tyres

Eventually the rubber tyres on the bandsaw wheels will wear due to the constant contact with the blade teeth. Lift the edge of the tyre with a small screwdriver and the tyre can be worked off the wheel easily. It is recommended that both tyres be changed at the same time.

6.2. Blade guides

Blade guides should be inspected regularly for wear or chipping. When replacing guides, replace all guides at the same time, both upper and lower.

6.3. Bearings

All bearings used in the construction of the bandsaw and motor are sealed and lubricated for life.

6.4. Wheel brush

The wheel brush, mounted inside blade cover, helps keep the wheels and blade free of sawdust and should be replaced when worn or damaged.

6.5. Cleaning

Remove dust and chips from the inside of the bandsaw frequently. Remove the front cover and use a brush or vacuum cleaner. At the end of every work session, clean sawdust away from the motor vents.

190mm Bandsaw

Model SM62

73/23/EEC Low Voltage Directive
98/37/EC Machinery
89/336/EEC EMC Directive
93/68/EEC CE Marking Directive.

Declaration of Conformity We, the sole importer into the UK, declare that the product listed here is in conformity with the following standards and directives.



The construction file for this product is held by the Manufacturer and may be inspected, by a national authority, upon request to Jack Sealey Ltd.

Signed by Mark Sweetman

Date 3rd May 2000

For Jack Sealey Ltd. Sole importer into the UK of Sealey Quality Machinery.

NOTE: It is our policy to continually improve products and as such we reserve the right to alter data, specifications and component parts without prior notice.

IMPORTANT: No liability is accepted for incorrect use of product.

WARRANTY: Guarantee is 12 months from purchase date, proof of which will be required for any claim.

INFORMATION: For a copy of our latest catalogue and promotions call us on 01284 757525 and leave your full name and address, including postcode.



Sole UK Distributor,
Sealey Group,
Bury St. Edmunds, Suffolk.

01284 757500

01284 703534 **E-mail:** sales@sealey.co.uk