



DISC SANDER 305MM

MODEL NO: **SM31.V3**

Thank you for purchasing a Sealey product. Manufactured to a high standard, this product will, if used according to these instructions, and properly maintained, give you years of trouble free performance.

IMPORTANT: PLEASE READ THESE INSTRUCTIONS CAREFULLY. NOTE THE SAFE OPERATIONAL REQUIREMENTS, WARNINGS & CAUTIONS. USE THE PRODUCT CORRECTLY AND WITH CARE FOR THE PURPOSE FOR WHICH IT IS INTENDED. FAILURE TO DO SO MAY CAUSE DAMAGE AND/OR PERSONAL INJURY AND WILL INVALIDATE THE WARRANTY. KEEP THESE INSTRUCTIONS SAFE FOR FUTURE USE.



Refer to instructions



Wear eye protection



Wear protective gloves



Wear ear protection



Wear a mask



Indoor use only

1. SAFETY

1.1. ELECTRICAL SAFETY

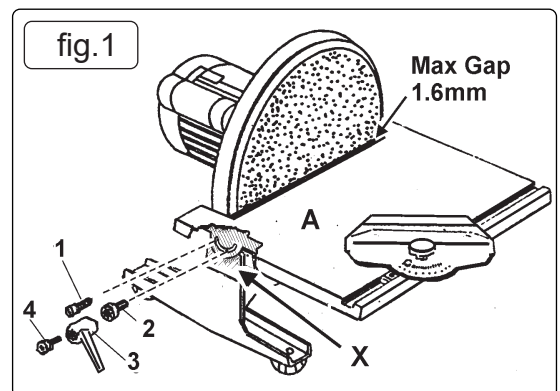
- WARNING!** It is the user's responsibility to check the following:
 - ✓ Check all electrical equipment and appliances to ensure that they are safe before using. Inspect power supply leads, plugs and all electrical connections for wear and damage. Sealey recommend that an RCD (Residual Current Device) is used with all electrical products.
 - ✓ Electrical safety information. It is important that the following information is read and understood:
 - ✓ Ensure that the insulation on all cables and on the appliance is safe before connecting it to the power supply.
 - ✓ Regularly inspect power supply cables and plugs for wear or damage and check all connections to ensure that they are secure
 - ✓ Important: Ensure that the voltage rating on the appliance suits the power supply to be used and that the plug is fitted with the correct fuse.
 - ✗ **DO NOT** pull or carry the appliance by the power cable.
 - ✗ **DO NOT** pull the plug from the socket by the cable.
 - ✗ **DO NOT** use worn or damaged cables, plugs or connectors. Ensure that any faulty item is repaired or is replaced immediately by qualified electrician.
 - ✓ If the cable or plug is damaged during use, switch off the electricity supply and remove from use.
 - ✓ Ensure that repairs are carried out by a qualified electrician.

2. INTRODUCTION

Bench mounting semi-portable disc sander suitable for general woodworking applications. Powerful induction motor with smooth direct drive. Balanced aluminium sanding disc suitable for adhesive backed discs. Includes no-volt load release switch for extra safety. Sanding disc table tilts to 45° and is supplied with mitre gauge for accurate angle sanding.

3. SPECIFICATION

Model no.....	SM31.V3
Consumable Parts.....	Sanding Disc Ø305mm 80Grit PSA(SM31/38)
Disc Diameter	Ø305mm
Disc Speed.....	1450rpm
Dust Extraction Diameter.....	Ø52mm
Fuse Rating.....	10A
Motor Power.....	750W - 230V
Power Supply Cable Length.....	2m
Table Size.....	156 x 438mm
Table Tilt.....	45°



4. ASSEMBLY

- 4.1. Unpack the sander and check contents against the list below. If there are any damaged or missing parts contact your supplier immediately. **CONTENTS:** • Sander Assembly • Table • Mitre Gauge • Hex. Key
- 4.2. Remove various screws (fig.1 parts 1-4) from the sander assembly, fit table (A) in position and retain by replacing screws. The table should always have at least 1.6mm clearance from the sanding disc adjustment can be made by loosening the six cross head bolts in the face of the table top.
- 4.3. If a dust extraction system is available, connect it to the extraction port (diameter 52mm).
- 4.4. The mitre gauge, when required, locates in the table groove.
 - WARNING!** Before use, the machine must be positioned on a stable, fireproof bench or table which is strong enough to take the weight of the machine and the workpiece. The sander is supplied with rubber feet, alternatively it can be bolted to a work surface. Failure to comply with this instruction could result in severe personal injury.

5. OPERATION

- 5.1. Ensure that you have read, understand and apply the safety instructions in Section 1.
- **WARNING!** Before each use rotate the sanding disc by hand to check it is undamaged and secure. Remove adjusting keys and wrenches before turning the machine on.
- 5.2. **TABLE ADJUSTMENT**
- 5.2.1. The table is adjustable through 45° by slackening the two locking lever handles (fig.1.3.) - both right hand thread, adjusting the table to the required angle and then fully tightening both handles.
- 5.3. **MITRE GAUGE ADJUSTMENT**
- 5.3.1. The gauge is adjustable through ±45° by slackening the thumb screw, adjusting to required angle and tightening the thumb screw.
- 5.4. **OPERATING THE SANDER**
- 5.4.1. Feed workpiece carefully into the sanding disc, work methodically and **DO NOT** force the sander to remove material faster than it was designed for. Hold workpiece with both hands and ensure that they are not in a position where they could slip up against the sanding disc.
- 5.4.2. Ensure large workpieces are supported at table height.
- 5.4.3. Turn sander off and make sure sanding disc is stationary before clearing scrap pieces from the table.

6. MAINTENANCE

- 6.1. The sander is maintenance free and only requires cleaning using a vacuum cleaner and brush.
- 6.2. Occasionally check sander over for loose fittings and to ensure sanding disc is secure.



ENVIRONMENT PROTECTION

Recycle unwanted materials instead of disposing of them as waste. All tools, accessories and packaging should be sorted, taken to a recycling centre and disposed of in a manner which is compatible with the environment. When the product becomes completely unserviceable and requires disposal, drain any fluids (if applicable) into approved containers and dispose of the product and fluids according to local regulations.



REGISTER YOUR PURCHASE HERE

Note: It is our policy to continually improve products and as such we reserve the right to alter data, specifications and component parts without prior notice. Please note that other versions of this product are available. If you require documentation for alternative versions, please email or call our technical team on technical@sealey.co.uk or 01284 757505.

Important: No Liability is accepted for incorrect use of this product.

Warranty: Guarantee is 12 months from purchase date, proof of which is required for any claim.

Sealey Group, Kempson Way, Suffolk Business Park, Bury St Edmunds, Suffolk. IP32 7AR



01284 757500



sales@sealey.co.uk



www.sealey.co.uk