

Thank you for purchasing a Sealey product. Manufactured to a high standard this product will, if used according to these instructions and properly maintained, give you years of trouble free performance.



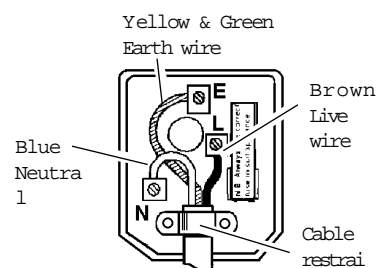
**IMPORTANT: PLEASE READ THESE INSTRUCTIONS CAREFULLY. NOTE THE SAFE OPERATIONAL REQUIREMENTS, WARNINGS & CAUTIONS. USE THE PRODUCT CORRECTLY AND WITH CARE FOR THE PURPOSE FOR WHICH IT IS INTENDED. FAILURE TO DO SO MAY CAUSE DAMAGE OR PERSONAL INJURY AND WILL INVALIDATE THE WARRANTY. PLEASE KEEP INSTRUCTIONS SAFE FOR FUTURE USE.**

## 1. SAFETY INSTRUCTIONS

### 1.1. ELECTRICAL SAFETY. **WARNING! It is the user's responsibility to read, understand and comply with the following:**

You must check all electrical equipment and appliances to ensure they are safe before using. You must inspect power supply leads, plugs and all electrical connections for wear and damage. You must ensure the risk of electric shock is minimised by the installation of appropriate safety devices. An RCCB (Residual Current Circuit Breaker) should be incorporated in the main distribution board. We also recommend that an RCD (Residual Current Device) is used with all electrical products. It is particularly important to use an RCD with portable products that are plugged into an electrical supply not protected by an RCCB. If in doubt consult a qualified electrician. You may obtain a Residual Current Device by contacting your Sealey dealer. **You must** also read and understand the following instructions concerning electrical safety.

- 1.1.1. The **Electricity At Work Act 1989** requires all portable electrical appliances, if used on business premises, to be tested by a qualified electrician, using a Portable Appliance Tester (PAT), at least once a year.
- 1.1.2. The **Health & Safety at Work Act 1974** makes owners of electrical appliances responsible for the safe condition of the appliance and the safety of the appliance operator. **If in any doubt about electrical safety, contact a qualified electrician.**
- 1.1.3. Ensure the insulation on all cables and the product itself is safe before connecting to the mains power supply. See 1.1.1. & 1.1.2. above and use a Portable Appliance Tester (PAT).
- 1.1.4. Ensure that cables are always protected against short circuit and overload.
- 1.1.5. Regularly inspect power supply, leads and plugs for wear and damage and all electrical connections to ensure that none is loose.
- 1.1.6. **Important:** Ensure the voltage marked on the product is the same as the electrical power supply to be used and check that plugs are fitted with the correct capacity fuse. A 13 amp plug may require a fuse smaller than 13 amps for certain products (*subject to 1.1.10. below*) see fuse rating at right.
- 1.1.7. DO NOT pull or carry the powered appliance by its power supply lead.
- 1.1.8. DO NOT pull power plugs from sockets by the power cable.
- 1.1.9. DO NOT use worn or damaged leads, plugs or connections. Immediately replace or have repaired by a qualified electrician. A U.K. 3 pin plug with ASTA/BS approval is fitted. In case of damage, cut off and fit a new plug according to the following instructions (discard old plug safely).




### FUSE RATING

THIS PRODUCT MUST BE FITTED  
 WITH A 13 AMP FUSE

(UK only - see diagram at right). **Ensure the unit is correctly earthed via a three-pin plug.**

- a) **Connect the GREEN/YELLOW earth wire to the earth terminal 'E'.**
- b) **Connect the BROWN live wire to live terminal 'L'.**
- c) **Connect the BLUE neutral wire to the neutral terminal 'N'.**

**After wiring, check that there are no bare wires, that all wires have been correctly connected, that the cable outer insulation extends beyond the cable restraint and that the restraint is tight.**

Double insulated products are often fitted with live (BROWN) and neutral (BLUE) wires only. Double insulated products are always marked with this symbol . **To re-wire, connect the brown & blue wires as indicated above. DO NOT connect the brown or blue to the earth terminal.**

- 1.1.10. **Cable extension reels.** When a cable extension reel is used it should be fully unwound before connection. A cable reel with an RCD fitted is recommended since any product which is plugged into the cable reel will be protected. The section of the cores in the cable reel is important. We suggest 1.5mm<sup>2</sup> section cable as a minimum but to be absolutely sure that the capacity of the cable reel is suitable for this product and for others that may be used in the other output sockets, we recommend the use of 2.5mm<sup>2</sup> section cable.

### 1.2 GENERAL SAFETY

- 3 Familiarise yourself with the general application and limitations of the product, as well as the specific potential hazards peculiar to the sander.
- p **WARNING!** Ensure all Health and Safety, local authority, and general workshop practice regulations are strictly adhered to.
- p **WARNING!** Disconnect from the mains power supply before changing accessories, servicing or performing any maintenance.
- 3 Maintain the sander and keep in good condition (use an authorised service agent).
- 3 Check the alignment of moving parts regularly, for safest performance keep the sander clean at all times.
- 3 Use the correct type and size of sanding disc for this sander.
- 3 Before each use check sanding disc for condition. If worn or damaged replace immediately.
- 3 Replace or repair damaged parts. Use genuine parts only. Non-authorised parts are dangerous and will invalidate the warranty.
- 3 Locate the sander in a suitable area, keep area clean, uncluttered and ensure there is adequate lighting.
- 3 The sander is for indoor use only. DO NOT get the sander wet or use in a damp location.
- p **WARNING!** Before use, the sander must be positioned on a stable, fireproof bench or table which is strong enough to take the weight of the sander and the workpiece. Although the sander is supplied with rubber feet it should also be bolted to the work surface. Failure to comply with this instruction could result in severe personal injury.
- 3 Ensure there are no flammable or combustible materials near the work area.
- p **WARNING!** Wear approved safety eye or face protection when operating the sander. Respiratory protection must also be worn.
- 3 Remove ill fitting clothing, ties and loose jewellery, and tie back long hair.
- 3 Maintain correct balance and footing, ensure the floor is not slippery and wear non-slip rubber soled footwear.
- p **WARNING!** Ensure a maximum clearance of 1.6mm is maintained between the table edge and the sanding disc face.
- 3 Keep hands and body clear of the worktable when operating the sander.
- 3 Ensure there are no objects like nails, screws etc, protruding from the surface to be sanded.
- p **WARNING!** Always ensure the workpiece is supported by the work table, and if used the mitre gauge.
- 3 Hold workpiece firmly. Avoid awkward hand positions, where a sudden slip could cause your hand to move into the abrasive disc.
- 3 Feed workpiece carefully into the sanding disc. DO NOT force the sander to remove material faster than designed.
- 3 When sanding a large workpiece, ensure it is correctly supported at table height.
- 3 When you switch off, allow the disc to free wheel to a stop. DO NOT apply pressure to disc in an attempt to stop the disc turning

- 3 Ensure the sander is turned off before removing scrap pieces from the table.
- 7 DO NOT operate the sander when you are tired, under the influence of alcohol, drugs or intoxicating medication.
- 7 DO NOT turn the sander on before the work table is clear of all objects, tools, wood scraps etc.
- 7 DO NOT use sander without the table. DO NOT leave sander running unattended, and DO NOT stand in side line of the abrasive disc.
- 7 DO NOT touch the abrasive disc whilst operating, or whilst sander is plugged into the mains power.
- 7 DO NOT switch the sander on while the workpiece is in contact with the abrasive.
- 7 DO NOT operate the sander if any parts are damaged or missing as this may cause failure or possible personal injury.
- 7 DO NOT allow children or untrained persons to operate the sander. Keep them away from the work area.
- 7 DO NOT use the sander for any purpose other than wood finishing.
- 7 DO NOT modify or change the sander motor with a different rating.
- p **WARNING! DO NOT** sand any materials containing asbestos.
- 3 When not in use unplug from the mains power supply and make every effort to ensure the sander is childproof.

## 2. TECHNICAL SPECIFICATION

Disc size . . . . . Ø305mm	Table Tilt . . . . . 60°	Motor . . . . . 230V 50Hz 750W
Disc Speed . . . . . 1450rpm	Dust Extraction Point . . . . . Ø52mm	Weight . . . . . 28kg
Table . . . . . 156x438mm		

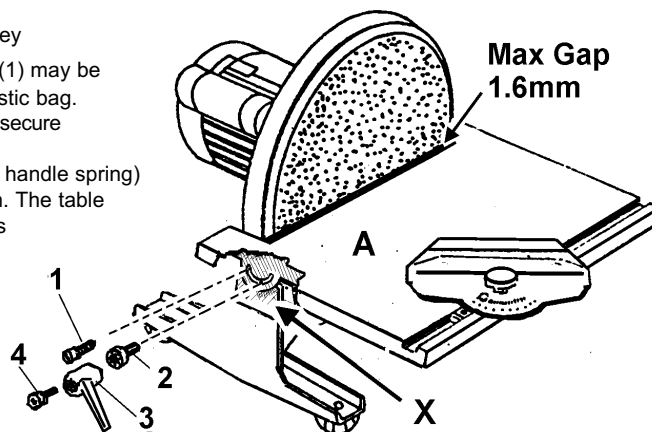
## 3. ASSEMBLY

fig 1

- 3.1. Unpack the sander and check contents. If there are any damaged or missing parts contact your supplier immediately.

**Contents:** • Sander Assembly • Table • Mitre Gauge • Hex. Key

- 3.2. Upon receipt the lever handle assembly (fig1.3) and/or guide screw (1) may be screwed into bass assembly at point (X), or may be located in a plastic bag. If screwed into bass (point X), remove and fit table (A) in position and secure by inserting handle and screw (1 & 3).  
*Note:* when handle section of lever (3) is pulled (against the internal handle spring) towards the screw head (4) the locking screw (2) is then free to turn. The table may be set at any angle between 0 ±45°, but, always ensure there is 1.6mm clearance between table and the face of the sanding disc, see figure 1. Lock the table both sides by tightening lever (3).



- 3.3. If dust extraction system is available connect to extraction point.
- 3.4. The mitre gauge, when required, locates in the table groove.
- 3.5. Before use, the sander must be positioned on a stable, fireproof bench or table which is strong enough to take the weight of the machine and the workpiece. Although the sander is supplied with rubber feet it should also be bolted to the work surface.

p **WARNING!** Failure to comply with this instruction could result in damage or severe personal injury.

## 4. OPERATING INSTRUCTIONS

- 4.1. **WARNING!** Ensure that you have read, understood and apply the safety instructions in Section 1. *Ensure you wear approved safety goggles, gloves, ear defenders and, respiratory protection.*  
 p **WARNING!** Before each use rotate the sanding disc by hand to check it is undamaged and secure. Remove adjusting keys and wrenches before turning the machine on.  
 p **WARNING! DO NOT** switch the sander on whilst the workpiece is in contact with the disc. Keep any guards and holding screws in place, tight and in good working order. A guard or other part that is damaged should be repaired/replaced **before** the sander is used.
- 4.2. **Table adjustment**  
 The table is adjustable through 45° by slackening the two lever locks (fig 1.3).
- 4.3. **Mitre gauge adjustment**  
 The gauge is adjustable through ±45° by slackening the thumb screw.

## 5. MAINTENANCE

The sander is maintenance free and only requires regular cleaning using a vacuum cleaner and dry brush.

<p style="text-align: center;"><b>BENCH TOP DISC SANDER</b> Model SM31/C</p> <p>73/23/EEC Low Voltage Directive (S.I. 1994/3260)          89/336/EEC EMC Directive (S.I. 1992/2372)          98/37/EC Machinery Directive (S.I. 1992/3073)          93/68/EEC CE Marking Directive</p>	<p><b>Declaration of Conformity</b> We, the sole importer into the UK, declare that the product listed here is in conformity with the following standards and directives</p> <p><b>CE</b> Signed by Mark Sweetman  1st April 2000</p> <p>The construction file for this product is held by the Manufacturer and may be inspected by a national authority upon request to Jack Sealey Ltd.</p> <p style="text-align: right; font-size: small;"><i>For Jack Sealey Ltd. Sole importer into the UK of Sealey Quality Machinery Ltd.</i></p>
--	--

**NOTE:** It is our policy to continually improve products and as such we reserve the right to alter data, specifications and component parts without prior notice.  
**IMPORTANT:** No liability is accepted for incorrect use of product. **WARRANTY:** Guarantee is 12 months from purchase date, proof of which will be required for any claim. **INFORMATION:** For a copy of our latest catalogue and promotions call us on 01284 757525 and leave your full name and address, including postcode.

<b>SEALEY</b>	Sole UK Distributor Sealey Group, Bury St. Edmunds, Suffolk.	01284 757500	01284 703534	E-mail: <a href="mailto:sales@sealey.co.uk">sales@sealey.co.uk</a>
---------------	--	--------------	--------------	--