



# MACHINE STAND

MODEL NO: **SM3002ST**

Thank you for purchasing a Sealey product. Manufactured to a high standard, this product will, if used according to these instructions, and properly maintained, give you years of trouble free performance.

**IMPORTANT:** PLEASE READ THESE INSTRUCTIONS CAREFULLY. NOTE THE SAFE OPERATIONAL REQUIREMENTS, WARNINGS & CAUTIONS. USE THE PRODUCT CORRECTLY AND WITH CARE FOR THE PURPOSE FOR WHICH IT IS INTENDED. FAILURE TO DO SO MAY CAUSE DAMAGE AND/OR PERSONAL INJURY AND WILL INVALIDATE THE WARRANTY. KEEP THESE INSTRUCTIONS SAFE FOR FUTURE USE.



Refer to instructions



Indoor use only

## 1. SAFETY

- **WARNING!** Ensure Health & Safety, local authority, and general workshop practice regulations are adhered to when using this bench.
- ✓ Locate bench in a suitable work area.
- ✓ Keep the work area clean, uncluttered and ensure there is adequate lighting.
- **WARNING!** Use bench on level and solid ground, preferably concrete.
- ✓ Keep the bench clean and tidy in accordance with good workshop practice.
- ✓ Keep children and unauthorised persons away from the work area.
- × **DO NOT** use the bench for any purpose other than that for which it is designed.
- × **DO NOT** undertake work on the bench without the workpiece being adequately secured. Use clamps or a vice (not included) to secure the workpiece - available from your Sealey dealer.
- × **DO NOT** use the bench outdoors.
- × **DO NOT** get the bench wet or use in damp or wet locations or areas where there is condensation.
- × **DO NOT** exceed the maximum load for the work surfaces, worktop and bottom shelf - 100kg each, drawer - 20kg. Avoid heavy impacts when placing objects onto the surfaces.
- × **DO NOT** clean the bench with any solvents which may damage the surface or the protective coating on the worktop.

## 2. INTRODUCTION

Floor stand with sliding tool shelf suitable for **SM2502, SM2503 & SM3002**. (Not included)

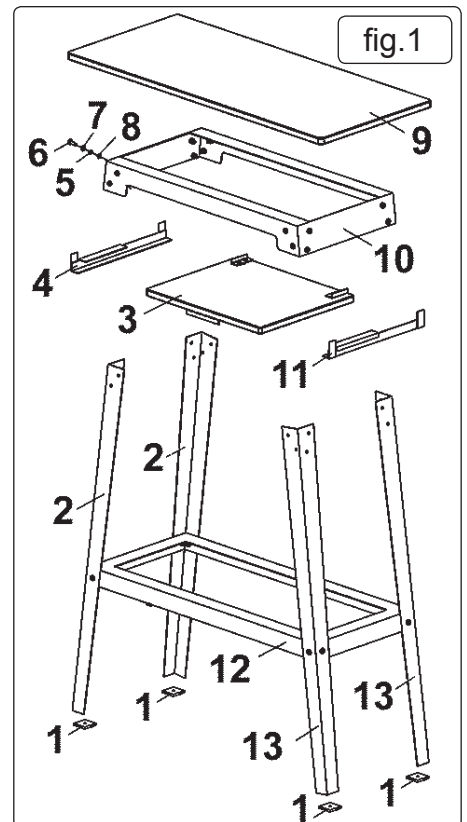
## 3. CONTENTS

<b>Model No:</b> .....	<b>SM3002ST</b>
1 .....	Pad
2 .....	Foot (I)
3 .....	Sliding shelf
4 .....	Slide rail (left)
5 .....	Lock washer
6 .....	Screw (M6x16)
7 .....	Washer
8 .....	Nut (M6)
9 .....	Stand top
10 .....	Support
11 .....	Slide rail (right)
12 .....	Supporting bar
13 .....	Foot (II)

## 4. ASSEMBLY

**NOTE:** Items 3, 4, 10 and 11 are pre-assembled.

- 4.1. Lay item 9 flat on the ground with the pre-drilled holes uppermost.
- 4.2. Position item 10 onto item 9 such that the holes in the support (item 10) align with the pre-drilled holes in item 9. Secure item 10 to item 9 using the self tapping screws provided.
- 4.3. Attach items 2 and 13 to item 10 using the bolts, washers, lock washers and nuts provided (items 6, 7, 5 and 8).
- 4.4. Insert item 12, ensuring the correct orientation, as shown in (fig.1) and secure using the bolts, washers, lock washers and nuts provided (items 6, 7, 5 and 8).
- 4.5. Attach items 1 to items 2 and 13, invert the stand and it is ready for use.



## 5. MAINTENANCE

- × **DO NOT** clean the bench with any solvents which may damage the surface or the protective coating on the worktop.
- 5.1. Wipe clean after use.



#### ENVIRONMENT PROTECTION

Recycle unwanted materials instead of disposing of them as waste. All tools, accessories and packaging should be sorted, taken to a recycling centre and disposed of in a manner which is compatible with the environment. When the product becomes completely unserviceable and requires disposal, drain any fluids (if applicable) into approved containers and dispose of the product and fluids according to local regulations.

**Note:** It is our policy to continually improve products and as such we reserve the right to alter data, specifications and component parts without prior notice.

**Important:** No Liability is accepted for incorrect use of this product.

**Warranty:** Guarantee is 12 months from purchase date, proof of which is required for any claim.

Sealey Group, Kempson Way, Suffolk Business Park, Bury St Edmunds, Suffolk. IP32 7AR



01284 757500



01284 703534



sales@sealey.co.uk



www.sealey.co.uk