

Thank you for purchasing a Sealey product. Manufactured to a high standard, this product will, if used according to these instructions, and properly maintained, give you years of trouble free performance.

IMPORTANT: PLEASE READ THESE INSTRUCTIONS CAREFULLY. NOTE THE SAFE OPERATIONAL REQUIREMENTS, WARNINGS & CAUTIONS. USE THE PRODUCT CORRECTLY AND WITH CARE FOR THE PURPOSE FOR WHICH IT IS INTENDED. FAILURE TO DO SO MAY CAUSE DAMAGE AND/OR PERSONAL INJURY AND WILL INVALIDATE THE WARRANTY. KEEP THESE INSTRUCTIONS SAFE FOR FUTURE USE.



Refer to instruction manual



Wear eye protection



Wear a mask



Wear ear protection



Wear protective gloves



Indoor use only

1. SAFETY

1.1. ELECTRICAL SAFETY

- WARNING!** It is the user's responsibility to check the following:
- ✓ Check all electrical equipment and appliances to ensure that they are safe before using. Inspect power supply leads, plugs and all electrical connections for wear and damage. Sealey recommend that an RCD (Residual Current Device) is used with all electrical products.
- Electrical safety information.** It is important that the following information is read and understood:
- ✓ Ensure that the insulation on all cables and on the appliance is safe before connecting it to the power supply.
- ✓ Regularly inspect power supply cables and plugs for wear or damage and check all connections to ensure that they are secure.
- ✓ **Important:** Ensure that the voltage rating on the appliance suits the power supply to be used and that the plug is fitted with the correct fuse
- ✓ Power tool plugs must match the outlet. Never modify the plug in any way. **DO NOT** use any adaptor plugs with earthed (grounded) power tools. Unmodified plugs and matching outlets will reduce risk of electric shock..
- ✗ **DO NOT** use worn or damaged cables, plugs or connectors. Ensure that any faulty item is repaired or is replaced immediately by a qualified electrician.
- ✗ **DO NOT** expose power tools to rain or wet conditions. Water entering a power tool will increase the risk of electric shock
- ✓ If the cable or plug is damaged during use, switch off the electricity supply and remove from use.
- ✓ If the Supply Cord is damaged it must be replaced by the Sealey stockist, its service agent or similarly qualified persons in order to avoid hazard
- ✓ Avoid body contact with earthed or grounded surfaces, such as pipes, radiators, ranges, and refrigerators. There is an increased risk of electric shock if your body is earthed or grounded.

Ensure that repairs are carried out by a qualified electrician.

1.2. GENERAL SAFETY

- WARNING!** Read all safety warnings, instructions, illustrations, and specifications provided with this power tool. Failure to follow all instructions listed below may result in electric shock, fire and/or serious injury. Save all warning and instructions for future reference.
 - ✓ Stay alert, watch what you are doing and use common sense when operating a power tool.
 - ✓ A moment inattention whilst operating power tools may result in serious injury.
 - ✓ Familiarise yourself with the applications, limitations and potential hazards of the sander.
 - ✓ Use original Sealey spare parts only. Unauthorised parts may be dangerous and will invalidate the warranty.
 - ✓ Keep all guards and holding screws in place, tight and in working order. Check regularly for damaged parts. A guard or any other part that is damaged should be repaired or replaced before the tool is next used.
 - ✓ Install the sander in a suitable work area. Keep area free from unrelated materials and ensure that there is good lighting.
 - ✓ **DO NOT** overreach Keep correct footing and balance at all times This enables better control of the power tool in unexpected situations.
 - ✓ Keep children and unauthorised persons away from the work area, especially when the tool is in operation. Keep the area childproof by using padlocks and master switches. Distractions can cause you to lose control.
 - ✓ Support the workpiece with the backstop or work table.
 - ✓ Maintain no more than 1/16 (1.5mm) of clearance between the table and sanding belt or disc.
 - ✓ Feed the workpiece against the rotation of tee sander. Hold the workpiece firmly so that it is not pulled from your hands.
 - ✓ Maintain the sander in good condition.
 - ✗ **DO NOT** use the sander for any task other than that for which it is designed - sanding wood.
 - ✗ **DO NOT** wear loose clothes, jewellery or long hair can be caught in moving parts. Loose clothes, jewellery or long hair can be caught in moving parts.
 - ✓ If devices are provided for the connection of dust extraction and collection facilities, ensure these are connected and properly used. Use of dust collection can reduce dust-related hazards. If devices are provided for the connection of dust extraction and collection facilities, ensure these are connected and properly used. Use of dust collection can reduce dust-related hazards.
 - ✓ Use personal protective equipment. Always wear eye protection. Using Protective equipment such as dust mask, non-skid safety shoes, hard hat or hearing protection for appropriate conditions will reduce personal injuries.
 - ✗ **DO NOT** use the sander in areas where fumes from paint, solvents or flammable liquids pose a hazard. Dispose of all flammable material according to local regulations.
 - ✗ **DO NOT** attempt to sand a workpiece that is too small to be safely held by hand.
- POWER USE AND CARE**
- ✗ **DO NOT** force the power tool. Use the correct power tool for your application. The correct power tool will do the job better and safer at the rate for which it was designed.

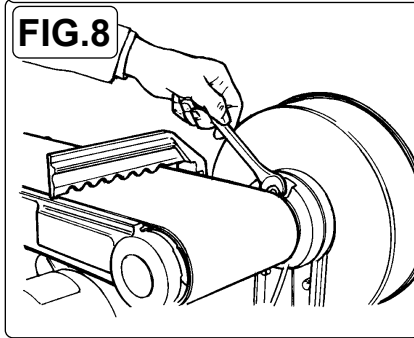
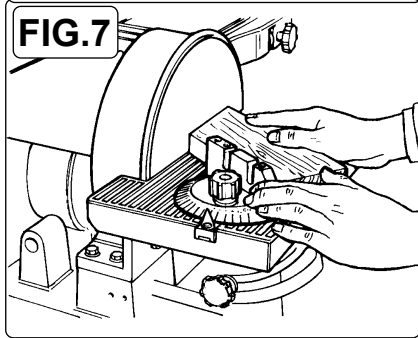
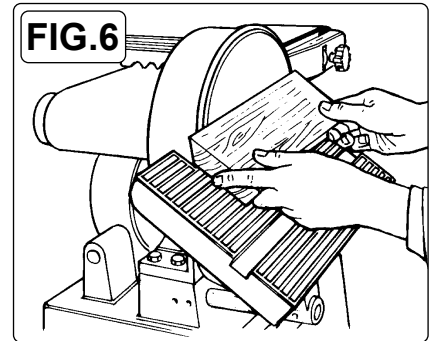
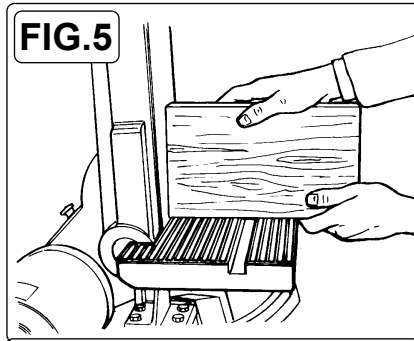
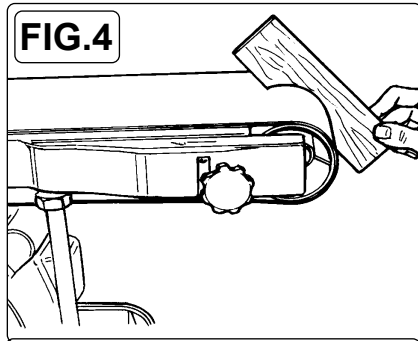
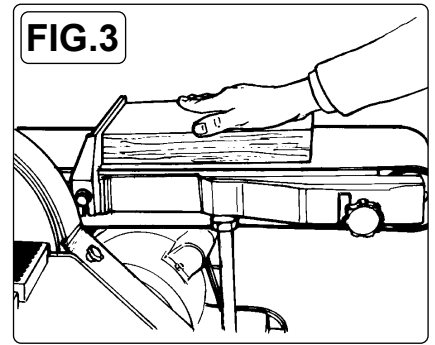
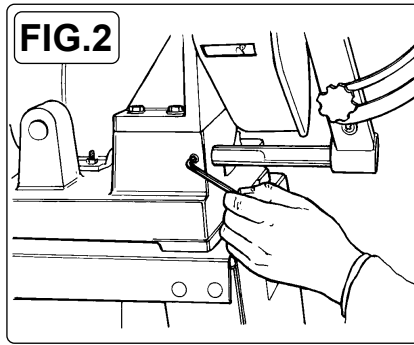
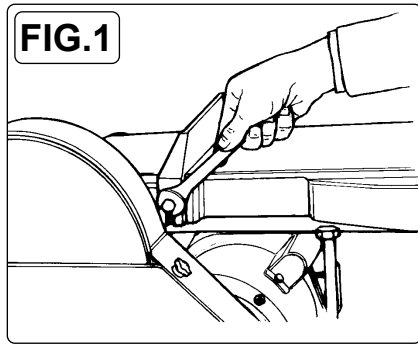
- ✘ **DO NOT** use the power tool if the switch does not turn it on and off. Any power tool that cannot be controlled with the switch is dangerous and must be repaired.
- ✓ Disconnect the plug from the power source and from the power tool before making any adjustments, changing accessories, or storing power tools. Such preventive safety measures reduce the risk of starting the power tool accidentally.
- ✓ Store idle power tools out of the reach of children and do not allow persons unfamiliar with these power tools or these instructions to operate the power tool. Power tools are dangerous in the hands of untrained users
- ✘ **DO NOT** leave the sander running unattended. Turn it off and do not leave the area until the disc/belt has come to a complete stop.
- ✘ **DO NOT** let familiarity gained from frequent use of tools allow you to become complacent and ignore tool safety principles. A careless action can cause severe injury within a fraction of a second.
- ✘ **DO NOT** use a power tool whilst you are tired or under the influence of drugs, alcohol, or medication. A moment inattention whilst operating power tools may result in serious injury.
- ✘ **DO NOT** stand on the machine.
- ✘ **DO NOT** abuse the cord. Never use the cord for carrying, pulling, or unplugging the power tool. Keep cord away from heat. Oil sharp edges or moving parts. Damaged or entangled cords increase the risk of electric shock.
- ✓ Prevent unintentional starting. Ensure the switch is in the off position before connecting to power source and/or battery pack, picking up or carrying the tool.
- ✓ Remove any adjusting key or wrench before turning the power tool on. A wrench or a key left attached to a rotating part of the power tool may result in personal injury.
- ✓ Maintain power tools and accessories. Check for misalignment or binding of the moving parts, breakage of parts and any other condition that may affect the power tool's operation. If damages, have the power tool repaired before use. Many accidents are caused by poorly maintained power tools.
- ✓ Keep cutting tools sharp and clean. Properly maintained cutting tools with sharp cutting edges are less likely to bind and are easier to control. Use the power tool, accessories, and tool bits etc. in accordance with these instructions, taking into account the working conditions and the work to be performed. Use of the power tool for operations different from those intended could result in a hazardous situation. Keep handles and grasping surfaces dry, clean, and free from oil and grease. Slippery handles and grasping surfaces do not allow for safe handling and control of the tool in unexpected situations.
- ✓ Have your power tool serviced by a qualified repair person using only identical replacement parts. This will ensure that the safety of the power tool is maintained.

2. INTRODUCTION

Fitted with heavy-duty induction motor. Sanding disc table tilts up to 45° and is supplied with mitre gauge for accurate angle sanding. Belt can be used horizontally, vertically or any angle in between. Suitable for general woodworking applications and supplied with floor stand.

3. SPECIFICATION

MODEL NO:	SM15.V3
Belt Size(s):	1220 x 150mm
Belt Speed:	330m/min
Dimensions (H x W x L):	995 x 455 x 715mm
Disc Size:	Ø230mm
Disc Speed:	1400rpm
Dust Extraction Diameter:	Ø55mm
Motor power:	550W
Nett Weight:	46.1kg
Plug type:	3-Pin
Power Supply Cable Length:	1.7m
Replacement Sanding Belts:	SB0017 - 80grit SB0018- 100grit
Sound Power:	89 dB(A)
Sound Pressure:	78 dB(A)
Supply:	230V ~ 50Hz
Table Size:	314 x 157mm
Table Tilt:	0-45°
Replacement Sanding Disc:	SSD03 - 80grit



4. ASSEMBLY & SETUP

Use the parts diagram at the back of these Instructions to assist in assembly.

- 4.1. Carefully unpack the contents and check that the following items are included: Sander Body, Work Table, Mitre Gauge, Stand Panel, Stand Bracket, Stand Plate, Nuts, Bolts and Washers, Rubber Feet, Hex Key and Backstop. If any items are missing or damaged, contact your Sealey stockist.
- 4.2. Attach the rubber feet to the bottom of the two stand panels.
- 4.3. Attach the two stand brackets to the stand frame with the screws and nuts provided. **DO NOT** tighten the screws until after the stand is completely assembled.
- 4.4. Attach the stand plate to the stand panels.
- 4.5. Tighten all screws on the stand.
- 4.6. Mount the sander to the stand plate with the bolts and nuts provided.
- 4.7. Mount the backstop (41) on the sander (fig. 1). The backstop will help support the workpiece while sanding.
- 4.8. Assemble table (1) to support bracket (11) and attach angle gauge (7), pointer (13) and support bar (18).
- 4.9. Attach the worktable assembly by loosening the grub screw (14) (fig 2). Insert the support bar (18) into the hole with the flat surface of the shaft facing the set screw. Tighten the grub screw. Note that you should leave a space of no more than 1.5mm (1/16) between the table and the sanding disc.

5. OPERATION

This sander is designed for sanding wooden workpieces held by hand. If used for any other purpose:

- 5.1. Ensure that the sander is disconnected from the power supply.
- 5.2. Make any adjustments to suit the work as described in Section 6.
- 5.3. Connect the sander to the power supply and turn it on.
- 5.4. Horizontal sanding - Place the workpiece on the belt. Hold it in place with both hands and use the backstop for support (fig 3). **DO NOT** apply excessive pressure to the belt.
- 5.5. Curve sanding - Use the very end of the belt to sand curves (fig 4).
- 5.6. Vertical sanding - With the sanding arm in the vertical position, use the backstop and table to help support the workpiece (fig 5).
- 5.7. Disc sanding - Use the sanding disc for end grain sanding, bevel sanding from 0°-45° (fig 6) or angle sanding (using the mitre gauge) from 0°-60° (fig 7).
- 5.8. When work is completed, turn off the sander and disconnect it from the power supply.

6. ADJUSTMENTS

❑ **WARNING - BEFORE MAKING ANY ADJUSTMENTS, DISCONNECT THE SANDER FROM THE POWER SUPPLY!**

6.1. Sanding belt replacement:

- 6.1.1. Loosen the two knobs (46) and move knob (84) to the right to remove tension from belt.
- 6.1.2. Remove the old belt and replace with a new one.
- 6.1.3. Tighten the tension by moving lever fully to the left. Fully tighten knobs (46).

6.2. Sanding belt tracking:

- 6.2.1. To adjust belt tracking loosen knobs (46) and adjust tracking knob while rotating belt by hand.
- 6.2.2. When tracking is correct tighten knobs (46) and check with motor running.

6.3. Sanding disc replacement:

- 6.3.1. Remove table assembly and open pulley cover (22).
- 6.3.2. Tear off the old sanding paper and clean off any glue remaining on the disc.
- 6.3.3. Attach new sanding paper, close pulley cover and replace table assembly.

6.4. Table adjustment (0° to 45°):

- 6.4.1. Loosen the screw (20) which clamps the angle gauge (7).
- 6.4.2. Adjust the table to the desired angle and tighten the screw.

6.5. Sanding arm vertical adjustment:

- 6.5.1. Remove safety cover (40) and loosen the two nuts (37), see fig. 8. Only one nut is visible in the illustration.
- 6.5.2. Raise the arm to the vertical position and tighten the nuts.
- 6.5.3. Fit table assembly to support post on base.

7. MAINTENANCE

- 7.1. In daily use keep the sander clean with an air line and dry cloth or brush.
- 7.2. Annually remove the side cover and remove internal accumulation of dust and ingress with an air line, vacuum cleaner or brush.
- 7.3. Visually check for belt and disc wear before each use, replacing at the first sight of damage.
- 7.4. Switch the sander off when not in use or unattended.
- 7.5. Any other maintenance outside the scope of above to be carried out by a competent technician.



ENVIRONMENT PROTECTION

Recycle unwanted materials instead of disposing of them as waste. All tools, accessories and packaging should be sorted, taken to a recycling centre and disposed of in a manner which is compatible with the environment. When the product becomes completely unserviceable and requires disposal, drain any fluids (if applicable) into approved containers and dispose of the product and fluids according to local regulations.



REGISTER YOUR PURCHASE HERE



WEEE REGULATIONS

Dispose of this product at the end of its working life in compliance with the EU Directive on Waste Electrical and Electronic Equipment (WEEE). When the product is no longer required, it must be disposed of in an environmentally protective way. Contact your local solid waste authority for recycling information.

Note: It is our policy to continually improve products and as such we reserve the right to alter data, specifications and component parts without prior notice. Please note that other versions of this product are available. If you require documentation for alternative versions, please email or call our technical team on technical@sealey.co.uk or 01284 757505.

Important: No Liability is accepted for incorrect use of this product.

Warranty: Guarantee is 12 months from purchase date, proof of which is required for any claim.

Sealey Group, Kempson Way, Suffolk Business Park, Bury St Edmunds, Suffolk. IP32 7AR



01284 757500



sales@sealey.co.uk



www.sealey.co.uk