

Thank you for purchasing a Sealey product. Manufactured to a high standard, this product will, if used according to these instructions, and properly maintained, give you years of trouble free performance.

IMPORTANT: PLEASE READ THESE INSTRUCTIONS CAREFULLY. NOTE THE SAFE OPERATIONAL REQUIREMENTS, WARNINGS & CAUTIONS. USE THE PRODUCT CORRECTLY AND WITH CARE FOR THE PURPOSE FOR WHICH IT IS INTENDED. FAILURE TO DO SO MAY CAUSE DAMAGE AND/OR PERSONAL INJURY AND WILL INVALIDATE THE WARRANTY. KEEP THESE INSTRUCTIONS SAFE FOR FUTURE USE.



Refer to instructions



Wear eye protection



Wear ear protection



Wear a mask



Indoor use only



Wear protective gloves



Wear protective clothing



Wear safety footwear

1. SAFETY

1.1. ELECTRICAL SAFETY

- ❑ **WARNING!** It is the user's responsibility to check the following:
 - Check all electrical equipment and appliances to ensure that they are safe before using.
 - Inspect power supply leads, plugs and all electrical connections for wear and damage.
 - Ensure that the insulation on all cables and on the appliance is safe before connecting it to the power supply.
- ✗ **DO NOT** use worn or damaged cables, plugs or connectors.
- ✓ Power tool plugs must match the outlet. Never modify the plug in any way. Do not use any adaptor plugs with earthed (grounded) power tools. Unmodified plugs and matching outlets will reduce risk of electric shock.
- ✓ Ensure that any faulty item is repaired or is replaced immediately by a qualified electrician.
- ✓ If the cable or plug is damaged during use, switch off the electricity supply and remove from use.
Ensure that repairs are carried out by a qualified electrician.
- ✓ Sealey recommend that an RCD (Residual Current Device) is used with all electrical products.
Important: Ensure that the voltage rating on the appliance suits the power supply to be used and that the plug is fitted with the correct fuse.
- ✗ **DO NOT** pull or carry the appliance by the power cable.
- ✗ **DO NOT** pull the plug from the socket by the cable.
- ❑ **WARNING!** Read all safety warnings, instructions, illustrations and specifications provided with this power tool. Failure to follow all instructions listed below may result in electric shock, fire and/or serious injury. Save all warning and instructions for future reference.
- ❑ Power tool plugs must match the outlet. Never modify the plug in any way. Do not use any adaptor plugs with earthed (grounded) power tools. Unmodified plugs and matching outlets will reduce risk of electric shock. Avoid body contact with earthed or grounded surfaces, such as pipes, radiators, ranges and refrigerators. There is an increased risk of electric shock if your body is earthed or grounded. Do not expose power tools to rain or wet conditions. Water entering a power tool will increase the risk of electric shock. Do not abuse the cord. Never use the cord for carrying, pulling, or unplugging the power tool. Keep cord away from the heat, oil, sharp edges or moving parts. Damaged or entangled cords increase the risk of electric shock. When operating a power tool outdoors, use an extension cord suitable for outdoor use. Use of a cord suitable for outdoor use reduces the risk of electric shock. If operating a power tool in a damp location is unavoidable, use a residual current device (RCD) protected supply. Use of an RCD reduces the risk of electric shock.

1.2. WORK AREA SAFE

- ✓ Keep work area clean and well lit. Cluttered or dark area invites accidents Do not operate power tools in explosive atmospheres, such as in the presence of flammable liquids, gases or dust. Power tools create sparks which may ignite the dust or fumes. Keep children and bystanders away whilst operating a power tool. Distractions can cause you to lose control.

1.3. PERSONAL SAFETY

- ✓ Stay alert, watch what you are doing and use common sense when operating a power tool. Do not use a power tool whilst you are tired or under the influence of drugs, alcohol, or medication. A moment inattention whilst operating power tools may result in serious injury.
- ✓ Use personal protective equipment. Always wear eye protection. Protective equipment such as dust mask, non-skid safety shoes, hard hat or hearing protection use for appropriate conditions will reduce personal injuries.
- ✓ Prevent unintentional starting. Ensure the switch is in the off position before connecting to power source and/or battery pack, picking up or carrying the tool. Carrying power tools with your fingers on the switch or energising power tools that have the switch on invites accidents.
- ✓ Remove any adjusting key or wrench before turning the power tool on. A wrench or a key left attached to a rotating part of the power tool may result in personal injury.
- ✗ **DO NOT** overreach. Keep proper footing and balance at all times. This enables better control of the power tool in unexpected situations.
- ✓ Dress properly. **DO NOT** wear loose clothing or jewellery. Keep your hair and clothing away from moving parts. Loose clothes, jewellery or long hair can be caught in moving parts.
- ✓ If devices are provided for the connection of dust extraction and collection facilities, ensure these are connected and properly used. Use of dust collection can reduce dust-related hazards.
- ✗ **DO NOT** let familiarity gained from frequent use of tools allow you to become complacent and ignore tool safety principles. A careless action can cause severe injury within a fraction of a second.

1.4. POWER TOOL USE AND CARE

- 1.5. **DO NOT** force the power tool. Use the correct power tool for your application. The correct power tool will do the job better and safer at the rate for which it was designed.

- ✘ **DO NOT** use the power tool if the switch does not turn it on and off. Any power tool that cannot be controlled with the switch is dangerous and must be repaired. Disconnect the plug from the power source and/or remove the battery pack, if detachable, from the power tool before making any adjustments, changing accessories, or storing power tools. Such preventive safety measures reduce the risk of starting the power tool accidentally.
- ✓ Store idle power tools out of the reach of children and do not allow persons unfamiliar with these power tools or these instructions to operate the power tool. Power tools are dangerous in the hands of untrained users.
- ✓ Maintain power tools and accessories. Check for misalignment or binding of the moving parts, breakage of parts and any other condition that may affect the power tool's operation. If damages, have the power tool repaired before use. Many accidents are caused by poorly maintained power tools.
- ✓ Keep cutting tools sharp and clean. Properly maintained cutting tools with sharp cutting edges are less likely to bind and are easier to control.
- ✓ Use the power tool, accessories and tool bits etc, in accordance with these instructions, taking into account the working conditions and the work to be performed. Use of the power tool for operations different from those intended could result in a hazardous situation.
- ✓ Keep handles and grasping surfaces dry, clean and free from oil and grease. Slippery handles and grasping surfaces do not allow for safe handling and control of the tool in unexpected situations.
- ✓ Always use saw bands that are not damaged or deformed. Damaged or deformed saw bands could split and/or snap.
- ✓ Operate the band saw at the proper speed for recommended applications and materials. Using a speed inappropriate for the material being cut may lead to breakage of the saw band and personal injury.
- ✘ **DO NOT** operate the tool when the band saw blade access cover is open. Contact with moving parts may result in personal injury.

1.6. GENERAL SAFETY

- ☐ **WARNING!** When using electric tools basic safety precautions should always be followed to reduce the risk of fire, electric shock and personal injury including the following. Read all these instructions before attempting to operate this product and save these instructions.

- ✘ **DO NOT** use saw bands which are damaged or deformed.
- ✓ Replace the table insert when worn.
- ☐ **WARNING! DO NOT** operate the tool when the guard protecting the saw band is open.
- ☐ **WARNING! DO NOT** clean the saw band whilst it is in motion.
- ✓ Connect the band saw to a dust collecting device (not supplied) when sawing wood.
- ✓ Select the saw band and the speed depending on the material to be cut.

1.7. SAFE OPERATION

- ✓ Keep work area clear: Cluttered areas and benches invite injuries.
- ✓ Consider your work area environment.
- ✘ **DO NOT** expose power tools to rain or wet conditions. Water entering a power tool will increase the risk of electric shock.
- ✓ Keep work area well lit.
- ✓ Guard against electric shock: Avoid body contact with earthed or grounded surfaces.
- ✓ Keep other persons away: **DO NOT** let persons, especially children, not involved in the work touch the tool or the extension cord and keep them away from the work area. Distractions can cause you to lose control.
- ✓ Store idle tools: When not in use, tools should be stored in a dry locked-up place, out of reach of children.
- ✘ **DO NOT** force the tool, it will do the job better and safer at the rate for which it was intended.
- ✓ Use the right tool: **DO NOT** force small tools to do the job of a heavy duty tool.
- ✘ **DO NOT** use tools for purposes not intended.
- ✓ Dress properly: **DO NOT** wear loose clothing or jewellery, they can be caught in moving parts.
- ✓ Non-skid footwear is recommended when working outdoors.
- ✓ Wear protective hair covering to contain long hair.
- ✓ Use protective equipment: Use safety glasses. Use face or dust mask if working operations create dust. Connect dust extraction equipment: If the tool is provided for the connection of dust extraction and collecting equipment, ensure these are connected and properly used.
- ✘ **DO NOT** use the power tool if the switch does not turn it on and off. Any power tool that cannot be controlled with the switch is dangerous and must be repaired.
- ✓ Disconnect the plug from the power source if detachable from the power tool before making any adjustments, changing accessories, or storing power tools. Such preventive safety measures reduce the risk of starting the power tool accidentally.
- ✓ Use the power tool, accessories and tool bits etc, in accordance with these instructions, taking into account the working conditions and the work to be performed. Use of the power tool for operations different from those intended could result in a hazardous situation.
- ✘ **DO NOT** abuse the cord: Never yank the cord to disconnect it from the socket. Keep the cord away from heat, oil and sharp edges.
- ✓ Secure work: Where possible use clamps or a vice to hold the work. It is safer than using your hand.
- ✘ **DO NOT** overreach: Keep proper footing and balance at all times.
- ✘ **DO NOT** operate the tool when the band saw blade access cover is open. Contact with moving parts may result in personal injury.
- ✓ Maintain tools with care: Keep cutting tools sharp and clean for better and safer performance.
- ✓ Inspect tool cords periodically and if damaged have them repaired by an authorized service facility.
- ☐ **WARNING! DO NOT** use guards for handling or transportation.
- ✓ Use a push stick when straight cutting small work pieces using the fence.
- ✓ Use a suitable holding device when cutting round or irregular shaped timber to prevent twisting of the work piece.
- ✓ Use a workpiece support when sawing material beyond the saw table.
- ✓ Place the fence on the lower side of the table when bevel-cutting with the table inclined.
- ✓ Save all warning and instructions for future reference.
- ✓ Keep work area clean and well lit. Cluttered or dark area invites accidents.
- ✘ **DO NOT** operate power tools in explosive atmospheres, such as in the presence of flammable liquids, gases or dust. Power tools create sparks which may ignite the dust or fumes.
- ✘ **DO NOT** let familiarity gained from frequent use of tools allow you to become complacent and ignore tool safety principles. A careless action can cause severe injury within a fraction of a second.

1.8. MAINTENANCE AND SERVICING

- ☐ **WARNING!** Remove the plug before carrying out any adjustment, servicing or maintenance facility.
- ✓ Inspect extension cords periodically and replace if damaged.

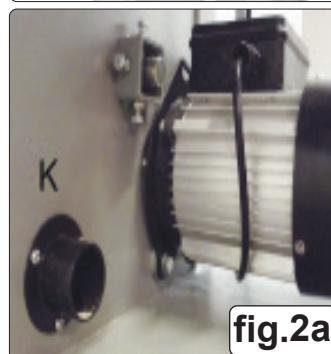
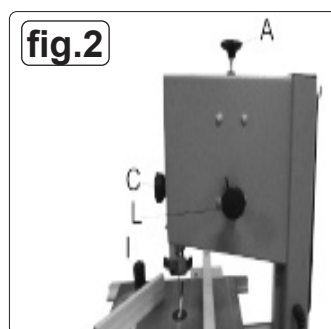
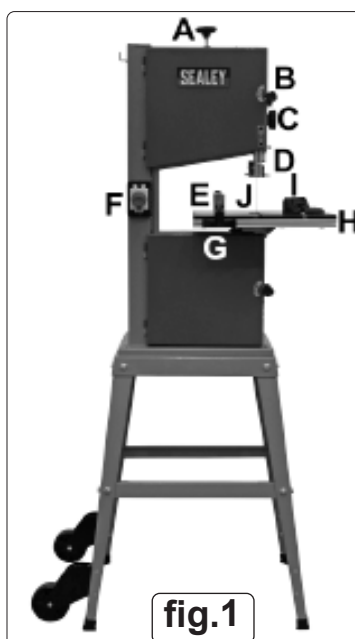
- ✓ Keep handles dry, clean and free from oil and grease.
- ✓ Remove adjusting keys and wrenches: Form the habit of checking to see that keys and adjusting wrenches are removed from the tool before turning it on.
- ✓ Avoid unintentional starting: Ensure switch is in off position when plugging in.
- ✓ Stay alert: Watch what you are doing, use common sense and do not operate the tool when you are tired.
- ✓ Check damaged parts: Before further use of tool, it should be carefully checked to determine that it will operate properly and perform its intended function.
- ✓ Check for alignment of moving parts, binding of moving parts, breakage of parts, mounting and any other conditions that may affect its operation.
- ✓ A guard or other part that is damaged should be properly repaired or replaced by an authorized service centre unless otherwise indicated in this instruction manual.
- ✓ Have defective switches replaced by an authorised service centre. **DO NOT** use the tool if the switch does not turn it on and off.
- ❑ **WARNING!** The use of any accessory or attachment other than one recommended in this instruction manual may present a risk of personal injury.
- ✓ Have your tool repaired by a qualified person: This electric tool complies with the relevant safety rules. Repairs should only be carried out by qualified persons using original spare parts, otherwise this may result in considerable danger to the user.

2. INTRODUCTION

Steel chassis with locking blade wheel covers. Smooth operation by bearing-mounted blade wheels and belt drive induction motors. Micro switches prevent operation when either blade wheel cover is open. 2-Speed operation enables bandsaw to cut multiple types of materials. Fitted with tilting tables for cutting compound mitres. Fully adjustable blade tracking and tensioning for precise cutting action. Features quick adjusting rip fence, mitre gauge, dust extraction port, blade wheel brushes and push sticks. Supplied with metal stand.

3. SPECIFICATION

MODEL NO:	SM1304.V3
Blade Length	1712mm
Cutting Speed	400/730m/min
Dust Extraction Diameter	Ø60mm
Fuse Rating	5A
Maximum Cutting Height	1000mm
Motor Power	370W
Nett Weight	32kg
Noise/ Sound pressure	LpA: 88.4 dB(A) / LwA: 101.4 dB(A)
Plug Type	3-Pin
Power Supply Cable Length	2m
Supply	230V 50Hz
Table Size	340 x 335mm
Table Tilt	0-45°
Throat Depth	245mm



The declared noise emission value(s) have been measured in accordance with a standard test method and may be used for comparing one tool to another.

The declared noise emission value(s) may be used in a preliminary assessment of exposure. The noise emissions during actual use of the power tool can differ from the declared values depending on ways in which the tool is used especially what kind of workpiece is processed. A warning of the need to identify safety measures to protect the operator, that are based on an estimation of exposure in the actual conditions of use.

4. FEATURES

MAIN FEATURES (fig.1 / fig.2)			
A	Blade tension adjustment knob	H	Table side guide
B	Blade cover screw	I	Mitre guide
C	Blade guard height adjuster	J	Band saw blade
D	Blade guard	K	Extraction outlet
E	Fence	L	Tracking adjustment knob
F	No Volt On/Off switch	M	Worktable
G	Fence lock handle		

5. ASSEMBLY

Unpack the product and check contents for damage. Should there be any damaged or missing parts contact your supplier immediately.

5.1. SAW ASSEMBLY

An assistant may be required to help.

5.1.1. To install the worktable:

SM1304: Carefully place worktable (fig.1.M) onto its supporting base, whilst sliding saw blade through the slot in the table. Fix to base with four bolts and washers supplied. Before finally tightening these, check that the table blade slot and sawblade are in line, set correctly and then tighten all bolts. Using a square backed up to the saw blade, check that the worktable is square to the saw blade, if any adjustment is needed slacken the four bolts holding the supporting bracket to the main frame of the saw. Set table to correct angle, tighten all fixings. Attach the table side guide (fig.1.H) to worktable using four bolts and washers.

5.1.2. Fit the fence (fig.1E) by sliding onto the worktable from either the front or the back as required. Push down handle (fig.1G) to lock when fence is in required position.

5.1.3. Important! The saw must be placed on a firm, stable work surface capable of supporting the saw and any workpiece.

Using four pre-drilled holes in base, fix to the work surface with appropriate fixings.

* DO NOT attempt to use the saw if it is not on a stable surface as it may topple over during use and cause damage and/or personal injury.

5.1.4. Connect extraction port (Ø60mm) (fig.2a k) to dust extractor system (if available).

5.2. STAND ASSEMBLY FIG.2B

5.2.1. Place angle frame (A) top down on floor, attach four legs legs (B) using the eight bolts supplied.

5.2.2. Bolt leg cross members (C) as shown in fig2b.

5.2.3. Push on rubber feet onto bottom of legs, turn stand up correct way.

5.2.4. Bolt on wheels as shown.

5.2.5. Ensure all bolts are done up tight.

5.2.6. Lift saw on to frame (be aware of weight, second person may be required) Bolt base of saw to frame using four bolts supplied.

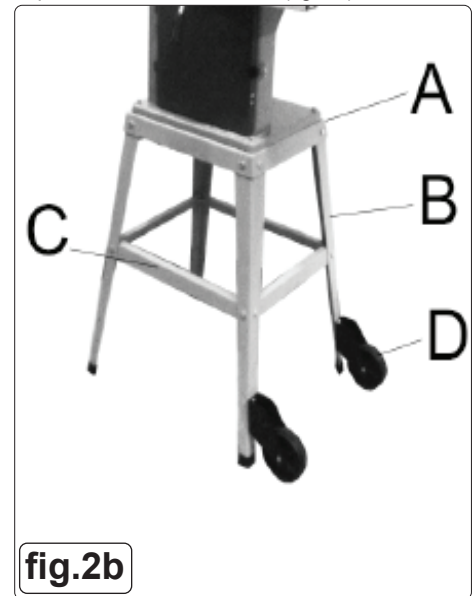


fig.2b

6. ADJUSTMENTS

❑ **WARNING! Ensure that the bandsaw is disconnected from the power supply before attempting any adjustments.**

❑ **WARNING!: Wear gloves when handling the saw blade and rough material.** knob, adjust and then tighten locking knob.

6.1. CHANGING THE BLADE

6.1.1. Turn the blade cover screws counter clockwise (fig.1B) to open the upper and lower blade covers.

6.1.2. Turn blade tension adjustment knob anticlockwise (fig.1A) to slacken the blade.

6.1.3. Remove the blade retaining bracket by undoing the two bolts and removing it. Carefully remove the blade.

6.1.4. Install the new blade. Be sure the teeth are pointing downwards and outwards. Refit the retaining bracket.

6.1.5. Adjust new blade to the correct tension (see 6.2.) and check, and adjust if necessary, tracking (see 6.3.) and blade guide adjustment (see 6.5. & 6.6.).

6.1.6. Close both blade covers and screw in bolts.

6.2. ADJUSTING BLADE TENSION

6.2.1. Open the blade covers and check to ensure that blade is centred on both wheel rims (if not, see section 6.3).

6.2.2. Turn the blade tension knob (fig.1A) to adjust the blade tension - clockwise to tighten, anticlockwise to slacken. Correct tension is reached when the blade gives slightly to firm finger pressure at mid-span. Do not over-tighten.

6.2.3. Close both blade covers and lock with blade cover locks.

6.3. ADJUSTING BLADE TRACKING

6.3.1. Open blade covers and carefully rotate the upper blade wheel (fig.3) clockwise by hand, to determine whether blade is tracking correctly - blade should be on the centre of each wheel rim.

6.3.2. If adjustment is needed, turn the tracking knob (fig.2.L) whilst continuing to turn the upper blade wheel. Note the effect on the tracking and continue to turn tracking knob until tracking is correct.

6.3.3. Close both blade covers and lock with blade cover locks.

6.4. UPPER BLADE GUIDE POSITION

6.4.1. The upper blade guide should always be adjusted to about 3mm above the workpiece. To adjust: turn the adjustment knob (fig.3.C) to lower guide to required position.

6.5. UPPER BLADE GUIDE BEARING ADJUSTMENT

6.5.1. The upper blade side guides prevent excessive sideways movements of the saw blade. They should be adjusted so that they are just clear of the saw blade. Adjust the guides (figs.4 & 5A) on both sides. Turn the top wheel twice to check correct alignment and that are correctly positioned, then tighten the locking nuts to secure. Re-check guides for correct positioning.

6.5.2. The upper blade guide rear bearing prevents the saw blade from being pushed backwards when cutting. It should be adjusted so that it is just clear of the blade (0.75mm). Loosen knob (figs.4 & 5.C) and move the bearing (figs.4D) inwards so that it touches the blade, then adjust it out slightly to just clear of the saw blade. Tighten knob to secure. Re-check for correct positioning.

6.5.3. Knob (fig.4 & 5B) is for adjustment / leveling of bearing housings and can be moved backwards and forwards in conjunction with bearing (fig4.D).

6.6. LOWER BLADE GUIDE BEARING ADJUSTMENT

6.6.1. The three lower guides / bearings should be adjusted using the same procedure as for the upper guides / bearings (6.5). All three guides are more conveniently reached by removing the work table. The two side guides are held in place by allen bolts, the rear guide is also held in place by an allen bolt.

- Notes:
- a) Always check and adjust both upper and lower guides at the same time.
 - b) Carry out these checks/adjustments every time the blade is changed.
 - c) The blade will be damaged if the teeth contact the guides/guide bearings.

6.7. MITRE GAUGE

6.7.1. The mitre gauge, fits in the slot at the front of the work table, it is adjustable through 45° in either direction. Loosen the central locking knob, adjust and then tighten locking knob.

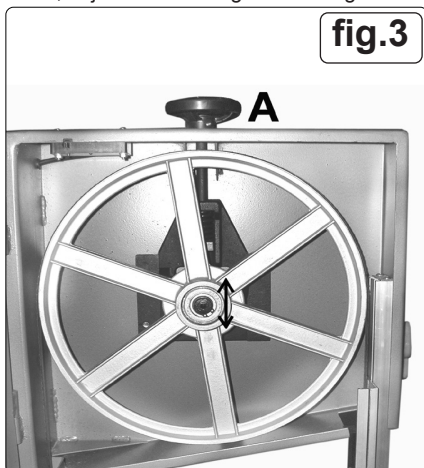


fig.3

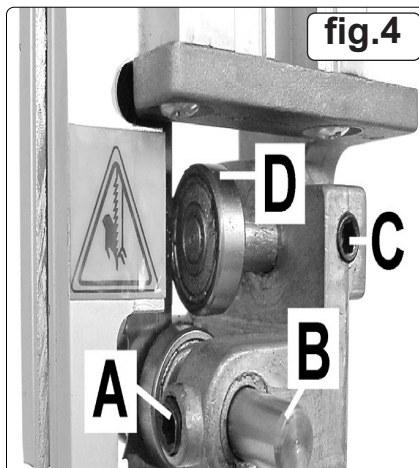


fig.4

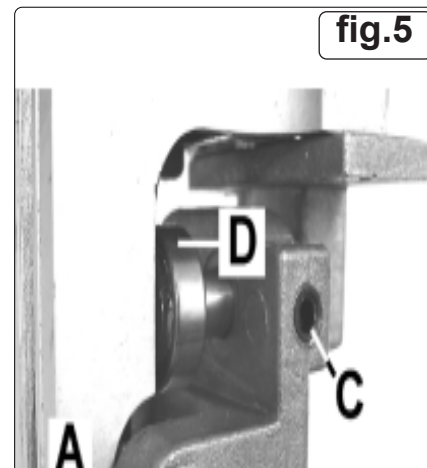


fig.5

6.8. TABLE ANGLE

6.8.1. Loosen the knob(s) and adjust table to required angle using the scale as a guide. Tighten knob(s) when in required position.(fig.5a)

6.9. FENCE

6.9.1. The fence (fig.1.E) is mounted on the table side guide (fig.1.H).

6.9.2. To reposition or remove the fence, push up locking handle (fig.1.G).To refit the fence, slide onto work table from the front or back as required. Push down handle (fig.1.G) to lock when fence is in required position.

6.10. CHANGE OF BLADE SPEED

6.10.1. Open the lower door.

6.10.2. Loosen, but do not remove, the two bolts (fig.5)that hold the motor assembly to the housing.

6.10.3. Move the motor assembly counter clockwise to reduce the tension in the belt.

6.10.4. Move the belt to the adjacent pulleys. Make sure the belt is positioned properly on the pulleys.

6.10.5. Move the motor clockwise to increase the tension on the belt.

6.10.6. Tighten the two bolts that hold the motor in place.

6.11. WHEEL BRUSH ADJUSTMENT

NOTE: The wheel brush is located against the lower blade wheel and helps to keep the wheel clean of sawdust and wood chips.

6.11.1. Loosen the nut that secures the wheel brush.

6.11.2. Position the wheel brush against the wheel.

6.11.3. Tighten the nut.

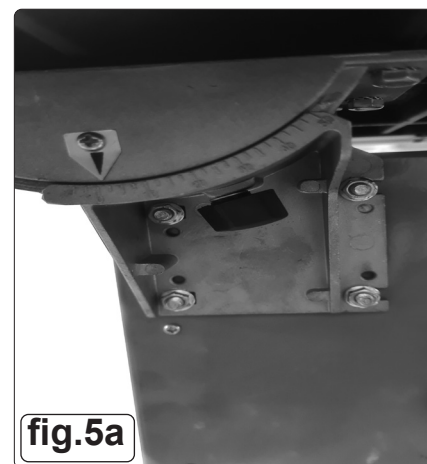


fig.5a

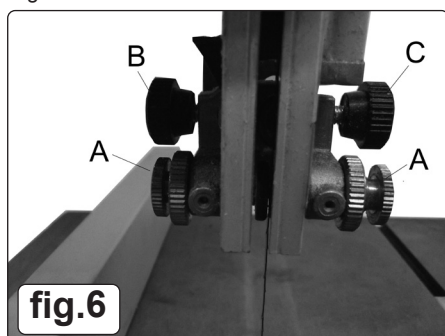


fig.6



fig.7

7. OPERATION

□ **WARNING! DO NOT** operate the tool when the guard protecting the saw blade is open.

× **DO NOT** use saw blades which are damaged or deformed.

7.1. TO SWITCH SAW ON

Press the green (I) 'On' button. Press the red (O) 'Off' button to turn saw off. Adjust blade guide (fig.1C) to just above the workpiece (3mm). Use both hands to feed workpiece to the blade. Use a steady even pressure sufficient to keep blade cutting but no more. If needed, stop the saw and wait for blade to completely stop before backing blade out of a cut.

7.2. RIP SAWING

Cutting wood with the grain. For best results use rip fence on left side of saw to guide workpiece. The table side guide scale shows the distance between the blade and the left-hand edge of the workpiece.

7.3. CROSS CUTTING

To cut wood at right angles to the grain. This type of cut can be made freehand but using the mitre guide ensures accurate results. The guide can also be adjusted up to a 45° angle to produce mitre cuts or compound cuts with the table tilted. Ensure the work is held firmly against the table and against the face of the mitre guide.

☐ **WARNING!** Keep your fingers away from the blade, use the pushstick to push the last piece of work through.

7.4. FREEHAND

When freehand cutting, always feed the work slowly to follow your saw line. Ensure you do not drag the work off-line forcing the blade sideways or twisting it. It may be helpful to make an initial rough cut about 5mm away from the line. For difficult curves which may be too tight for the blade, make relief cuts on the face of the curve so that the waste wood will fall away as the final radius is cut.

7.5. BLADE SELECTION

7.6. There should be at least three saw teeth in contact with the workpiece at any one time during cutting. Therefore the thinner the workpiece the higher the blade tpi required.

7.7. BEVEL CUTTING

When bevel cutting with the table tilted always have the workpiece guide (fence or mitre) on the lower part of the table.

7.8. WORKPIECE STABILITY

Any workpiece which does not have a flat surface which will ensure stability on the saw table must be held in a suitable device which will prevent rotation.

8. MAINTENANCE

☐ **WARNING! ENSURE THE MACHINE IS DISCONNECTED FROM THE MAINS POWER SUPPLY BEFORE CARRYING OUT ANY MAINTENANCE OR TRANSPORTATION.**

8.1. Have your power tool serviced by a qualified repair person using only identical replacement parts. This will ensure that the safety of the power tool is maintained.

☐ **WARNING! DO NOT** clean the saw band whilst it is in motion.

8.2. CHANGING TYRES

8.2.1. Eventually the tyres on the bandsaw wheels will wear due to the constant contact with the blade teeth.

8.2.2. Remove blade (see 5.1), lift the edge of the belt with a small screwdriver and the belt can be worked off the wheel easily.

8.2.3. It is recommended that both belts be changed at the same time.

8.3. BLADES

8.3.1. If blades break, check for correct tension after fitting new blade. Also avoid over working blade by keeping to a constant feed rate and avoiding any side pressure on the blade.

8.4. BLADE GUIDES

8.4.1. Blade guides should be inspected regularly for wear or chipping. When replacing guides, replace all guides at the same time, both upper and lower.

8.5. TABLE INSERT

8.5.1. The insert should be inspected regularly and replaced if wear or damage is found.

8.6. BEARINGS

8.6.1. All bearings used in the construction of the bandsaw and motor are sealed and lubricated for life.

8.7. CLEANING

8.7.1. Remove dust and chips from the inside of the bandsaw frequently. Open the wheel covers and use a brush or vacuum cleaner. At the end of every work session, clean sawdust away from the motor vents.



ENVIRONMENT PROTECTION

Recycle unwanted materials instead of disposing of them as waste. All tools, accessories and packaging should be sorted, taken to a recycling centre and disposed of in a manner which is compatible with the environment. When the product becomes completely unserviceable and requires disposal, drain any fluids (if applicable) into approved containers and dispose of the product and fluids according to local regulations.



REGISTER YOUR PURCHASE HERE

Note: It is our policy to continually improve products and as such we reserve the right to alter data, specifications and component parts without prior notice. Please note that other versions of this product are available. If you require documentation for alternative versions, please email or call our technical team on technical@sealey.co.uk or 01284 757505.

Important: No Liability is accepted for incorrect use of this product.

Warranty: Guarantee is 12 months from purchase date, proof of which is required for any claim.

Sealey Group, Kempson Way, Suffolk Business Park, Bury St Edmunds, Suffolk. IP32 7AR

01284 757500

sales@sealey.co.uk

www.sealey.co.uk