



3500A 12/24V LITHIUM JUMP STARTER POWER PACK

MODEL NO: **SL36S**

Thank you for purchasing a Sealey product. Manufactured to a high standard, this product will, if used according to these instructions, and properly maintained, give you years of trouble free performance.

IMPORTANT: PLEASE READ THESE INSTRUCTIONS CAREFULLY. NOTE THE SAFE OPERATIONAL REQUIREMENTS, WARNINGS & CAUTIONS. USE THE PRODUCT CORRECTLY AND WITH CARE FOR THE PURPOSE FOR WHICH IT IS INTENDED. FAILURE TO DO SO MAY CAUSE DAMAGE AND/OR PERSONAL INJURY AND WILL INVALIDATE THE WARRANTY. KEEP THESE INSTRUCTIONS SAFE FOR FUTURE USE.



Refer to instructions



Wear eye protection



Wear protective gloves



Electrical shock hazard



Warning: corrosive substance



Warning: explosive material



Keep away from sources of ignition



Use in well ventilated areas



Keep in dry area protect from rain

1. SAFETY

IMPORTANT: To reduce the risk of a battery explosion, follow these instructions and those published by the battery manufacturer and the manufacturer of any equipment you intend to use in the vicinity of the battery. Remember to review warning marks on all products and on engines. Modern vehicles contain extensive electronic systems. Check with the vehicle manufacturer for any specific instructions regarding the use of this type of equipment on each vehicle. No liability will be accepted for damage/injury where this product is not used in accordance with all instructions.

1.1. SAFETY INSTRUCTIONS

- ✓ Read instructions carefully before using this product.
- ✓ The product is only to be used to start 12V and 24V vehicles. It may lead to damage or be dangerous if used for other different voltage rated machines.
- ✓ This product is not intended to be used as a replacement vehicle battery.
- ✓ Ensure the vehicle's battery terminals are clean and battery clamps are connected properly before jump starting the vehicle. Dirty or corroded on battery terminals may effect the starting performance.
- * **DO NOT** crank the engine for more than 3 seconds at a time. The jump start feature is designed for short term operation only. Operating the jump start feature for more than 3 seconds may cause damage to the unit. Allow the jump starter to cool down for at least 2 minutes after each cranking.
- ✓ Remove the battery clamps from the vehicle battery immediately after the engine has started.
- ✓ Wear safety eye protection and protective clothing. Avoid touching eyes while working with a battery.
- ✓ Wash immediately with soap and water if battery acid contacts skin or clothing. If acid enters eye, flush eye immediately with cool, clean running water for at least 15 minutes and seek immediate medical attention.
- ✓ If the internal battery is leaking do not use and have battery replaced immediately. Isolate the spillage and clean appropriately.
- ☐ **WARNING!** Battery acid can cause skin damage/burns, respiratory issues, eye damage and throat irritation so please ensure all precautions are taken place.
- ✓ Remove personal metallic items such as rings, bracelets, necklaces and watches.
- ✓ Keep the unit in good working order and condition. Replace damaged parts immediately.
- ✓ Use only recommended parts. To use unapproved parts may be dangerous and will invalidate your warranty.
- ✓ The unit must only be opened and checked by qualified service personnel. **DO NOT** disassemble the unit for any reason.
- * **DO NOT** modify the product.
- ✓ Keep children and unauthorised persons away from the work area.
- ✓ Keep work area clean and tidy and free from unrelated materials. Ensure that there is adequate lighting.
- ✓ If the unit receives a sharp knock or blow, it must be checked by a qualified service agent before being used.
- ✓ Children from age 8 years and above, persons with reduced physical, sensory, or mental capabilities those with lack of experience and knowledge can use the appliance, if they have been given supervision or instruction concerning use of the appliance in a safe way to understand the hazards involved.
- * Children shall **NOT** play with the appliance
- ✓ Cleaning and user maintenance on the appliance shall not be made by children without supervision.
- ✓ The appliance shall be disconnected from its power source during service and when replacing parts and, if that the removal of the plug is foreseen, it shall be clearly indicated that the removal of the plug has to be such that an operator can check from any of the points to which he has access that the plug remains removed.
- * **DO NOT** smoke or allow a spark, or flame in the vicinity of the battery or engine.
- * **DO NOT** drop any metal item onto the battery as it may spark or short circuit the battery, which could cause an explosion.

- ✗ **DO NOT** use unit to recharge dry cell batteries that are commonly used with home appliances.
 - ✗ **DO NOT** charge or boost a frozen battery.
 - ✗ **DO NOT** use attachments other than those recommended.
 - ✗ **DO NOT** pull or carry the unit by its cables and **DO NOT** pull the negative and positive clamps from the battery terminals.
 - ✗ **DO NOT** operate in vicinity of flammable liquids, dusts or gases.
 - ✗ **DO NOT** recharge the unit with a charger / cables that are damaged. Replace immediately. Only use the correct, supplied charger to recharge the unit.
 - ✗ **DO NOT** use this product to perform a task for which it is not designed.
 - ✗ **DO NOT** store the unit in damp or wet locations or where the temperature may exceed 50°C.
 - ✗ **DO NOT** submerge the unit in water.
 - ✗ **DO NOT** use whilst under the influence of drugs, alcohol or intoxicating medication.
 - ✗ **DO NOT** leave the unit in a totally discharged state for an extended period of time as this may result in permanent damage.
 - ✗ **DO NOT** cross-connect the power leads from the jump starter to the battery. Ensure that positive is to positive and negative is to negative.
 - ✓ Ensure that the unit is fully charged before storage. Keep the unit fully charged on a regular basis.
- 1.2. ELECTRICAL SAFETY** (with respect to mains chargers)
- ☐ **WARNING!** It is the user's responsibility to check the following:
 - ✓ Check all electrical equipment/appliances to ensure they are safe before using. Inspect power supply leads, plugs and all electrical connections for wear and damage. Sealey recommend that an RCD (Residual Current Device) is used with all electrical products. **Electrical safety information.** It is important that the following information is read and understood:
 - ✓ Ensure that the insulation on all cables and on the appliance is safe before connecting it to the power supply.
 - ✓ Regularly inspect power supply cables and plugs for wear or damage and check all connections to ensure that they are secure. **Important:** Ensure that the voltage rating on the appliance suits the power supply to be used and that the plug is fitted with the correct fuse.
 - ✗ **DO NOT** pull or carry the appliance by the power cable.
 - ✗ **DO NOT** pull the plug from the socket by the cable.
 - ✗ **DO NOT** use worn or damaged cables, plugs or connectors. Ensure that any faulty item is repaired or is replaced immediately by a qualified electrician.
 - ✓ If the cable or plug is damaged during use, switch off the electricity supply and remove from use.
 - ✓ **Ensure that repairs are carried out by a qualified electrician.**
 - ✓ Ensure that the insulation on all cables and the product itself is safe before connecting to the mains power supply.
 - ✓ Ensure that cables are always protected against short circuit and overload.

2. INTRODUCTION

Powered by Li-ion technology and fully protected against reverse charging and overload. A dedicated 12/24V jump starter pack that benefits from being a compact, lightweight unit that also provides high amperage output peaking at 3500A. Capable of starting 12/24V vehicles and up to 560HP. Featuring a force start function which allows you to boost discharged batteries as low as 0 volts. Includes an integral 1W worklight for use at night with three different settings. Fitted with a 122500mAh @ 3.7V battery and two USB (5V□1A and 5V□2.4A) outlets, this unit can be used as a power bank to charge phones, tablets and laptops. 4 Stage LED battery level indicator showing the capacity. Supplied with both mains charger and USB charging lead.

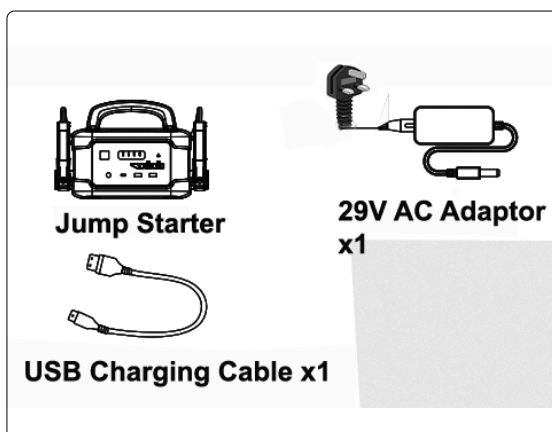
3. SPECIFICATION

Model No:	SL36S
Auxillary Output:	USB (5V/2.4A, 5V/1A)
Battery Capacity:	122500mAh
Cable & Clamp Length:	650mm
Fuse Rating:	5A Charger
Light Output:	1W
Nett Weight:	5.4kg

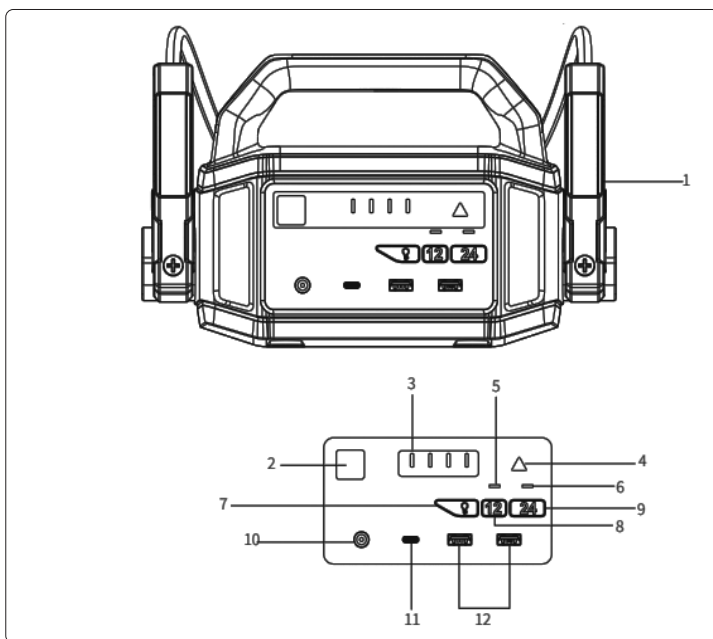
Maximum Starting Capacity:	560HP
Peak Amps:	3500A
Plug Type:	3-Pin BS
Size:	290 x 207 x 180mm
Starting Current:	1700A
Voltage:	12/24V

NOTE: Performance dependent on connection to an adequate, good clean electric supply.

4. CONTENTS



5. CONTROL PANEL

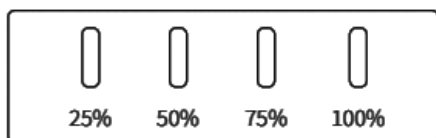


1. Battery Clamps	7. Flashlight Button
2. LED Flashlight	8. 12V Override Button
3. Battery Level Indicator	9. 24V Override Button
4. Warning Light	10. 29V5A DC Input Port
5. 12V Mode Indicator	11. USB-C Input Port
6. 24V Mode Indicator	12. USB-A Output Port

6. OPERATION

6.1. BATTERY STATUS

6.1.1. Press any buttons. The Internal Battery Level Indicator LEDs will illuminate to indicate battery capacity level.



Battery Level Indicator	25% LED Flashing	1 LED solid On	2 LEDs solid On	3 LEDs solid On	4 LEDs solid On
Battery Level	0%	≤25%	≤50%	≤75%	≤100%

6.1.2. During the charging process the indicator LED's will flash until they have reached the specific charging level at which point they will turn to a solid light. Once fully charged the lights will go off to indicate the end of the charging process.

6.1.3. RECHARGING

6.1.4. This product is built with two input ports, a 29V DC input port and a USB-C input port.

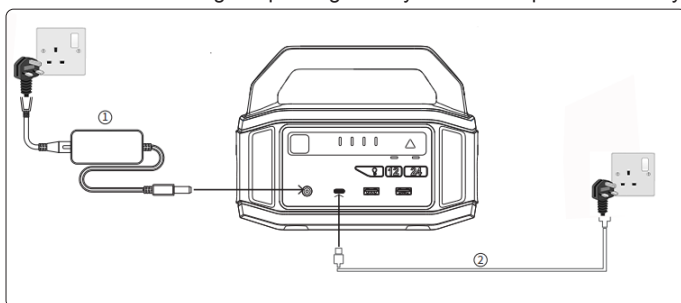
6.1.5. Fast Charge: Connect the 29V AC adaptor (included) to 29V DC input port.

6.1.6. Slow Charge: Connect the USB-C cable to the unit's USB-C input port, then connect the other end of the USB-C cable to any powered USB power port, such as a USB wall charger or USB car charger (not included).

IMPORTANT

6.1.7. Please charge only at ambient temperatures between 0°C and 45°C.

6.1.8. The two input ports don't support charge at same time, the 29V DC input is priority. Recharge battery after each use or at least every 6 months when in storage to prolong battery life and keep the unit ready for use.

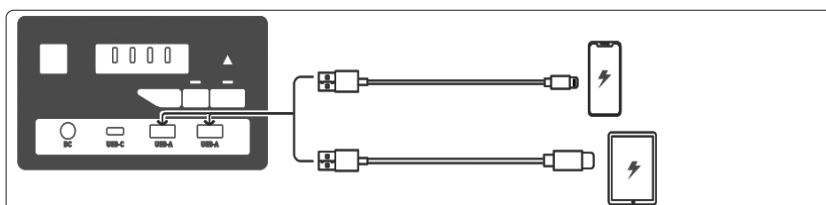


6.2. USB POWER

This product is equipped with two USB-A output ports, they are ideal for charging portable electronic devices, such as smart-phones, tablets and more.

6.2.1. Connect device(s) to USB output port(s) using a matched USB charge cable.

6.2.2. Press any buttons to turn unit on and activate USB power.



6.3. LED FLASHLIGHT

6.3.1. Press flashlight button to activate the LED flashlight. Keep pressing the button to cycle through the four options. 100%, Strobe, SOS Off.

6.4. JUMP START VEHICLE

▲ IMPORTANT

- ✘ **DO NOT** attempt to jump start an engine if the battery level is at 25% indicated.
- 6.4.1. This product is built with 12V and 24V two modes for 12V and 24V platform vehicles. Always make sure the unit is on correct mode to match vehicles, 12V mode for 12V vehicles, 24V mode for 24V vehicles.
- ✘ **DO NOT** crank the engine for more than three seconds at a time. The jump start feature is designed for short term operation only operating the jump start feature for more than three seconds may cause damage to the unit. Allow the jump starter to cool down for at least two minutes after each cranking.
- 6.4.2. Press any button to turn the unit on and check the battery level indicator. If less than 25% recharge the unit before attempting a jump start.
- 6.4.3. Connect the red clamp to the POS "+" terminal of the vehicle battery.
- 6.4.4. Connect the black clamp to the NEG "-" terminal of the vehicle battery.
- 6.4.5. Check the 12V and 24V mode LEDs, and warning light on unit, then proceed accordingly.

LED STATUS	DESCRIPTION	ACTION
12V LED or 24V LED flashing or solid On.	Good connection.	Proceed with jump start.
RED warning light solid On	Connections are reversed.	Reconnect the clamps connections correctly.
12V and 24V LEDs flashing at same time.	Vehicle battery is low, the unit can not identify the vehicle battery system is 12V or 24V.	OVERRIDE mode will be required. See USING VERRIDE MODE.
No LEDs lights on.	No connection detected: 1. Poor connection between clamps and battery terminals. 2. Vehicle battery voltage extremely low.	Check to ensure a clean and good connection between the battery clamps and battery terminals. If after checking that the clamps have a good connection and that both LEDs are OFF, then use the OVERRIDE mode.

6.5. USING OVERRIDE MODE

6.5.1. This product has an OVERRIDE feature which allows you to force ON the jump starter function, allowing you to boost discharged batteries as low as 0 volts.

□ WARNING! USE THE OVERRIDE MODE WITH EXTREME CARE

- 6.5.2. Both the spark proof and reverse polarity protection feature are disabled.
- 6.5.3. Pay very close attention to the polarity of the battery before using this mode.
- ✘ **DO NOT** allow the positive and negative battery clamps to touch or connect to each other as the product will generate sparks.
- ✘ **DO NOT** connect 12V vehicle if the 24V OVERRIDE mode activated.
- ✘ **DO NOT** connect 24V vehicle if the 12V OVERRIDE mode activated.
- 6.5.4. This mode uses very high current that can cause sparks and high heat if not used properly.
- 6.5.5. If you are unsure the vehicle battery system is 12V or 24V, please refer to the vehicle service manual or professional help.
- 6.5.6. If you are unsure about using this mode, do not attempt and seek professional help.
- 6.5.7. **ENSURE CORRECT POLARITY** (red clamp to POS "+" terminal of the battery and black clamp to the NEG "-" terminal of the battery).
- 6.5.8. **ENSURE** your vehicle battery system is 12V or 24V, then press and hold the 12V or 24V Mode button two seconds accordingly.
- 6.5.9. The 12V LED or 24V LED will be solid on, the OVERRIDE mode is enabled.
- 6.5.10. Proceed with jump start attempt within the thirty seconds.

NOTE: the OVERRIDE mode will only be active for thirty seconds. Once thirty seconds has passed, the jump starter will reset.

Problem	Possible Cause	Solution
The unit does not operate by pushing any button.	Over-discharge protection may be activated.	Please recharge the jump start. If the jump start fails to work after recharging contact your Sealey stockist.
No power output.	No power from AC adaptor or USB port. Faulty USB cable.	Please change AC adaptor or plug in to a different USB outlet Replace USB cable. If still unable to charge the unit, please contact the Sealey stockist.
The 12V LED light flashing or solid on but it still unable to jump start the vehicle.	The vehicle battery system is 24V, but the battery voltage dropped in 12V. Mechanical issue with vehicle.	ENSURE your vehicle battery is 24V, if Yes, you can use 24V OVERRIDE mode. Please see USING OVERRIDE MODE. Consult with your Sealey stockist.
RED warning light flashing.	Over-temperature protection is activated.	Stop to use and wait the unit cool down.
The 25%/50%/75% three LEDs flashing together when recharging the unit.	Internal battery temperature is too low, DO NOT try and recharge.	Move to room temperature area, and recharge it after the internal battery has warmed up
25%/50% two LEDs or 50%/75% two LEDs flashing together when recharging the unit.	The AC adaptor is not of the original specification and not compatible with the unit.	Please use the original AC adaptor or use a genuine replacement part to charge the unit.
25% one LED fast flashing	Internal battery over-discharged.	Please contact your Sealey stockist.

7. TOXIC AND HARMFUL SUBSTANCES

Composition and amount of toxic and harmful substances in product.					
Pb	Hg	Cd	Cr(VI)	PBB	PBDE
0	0	0	0	0	0

O: Indicate all homogeneous materials' hazardous substances content are below the MCV limit specified in the Standard 2002/95/EC(RoHs).

8. MAINTENANCE

- 8.1. When the battery charger is not being used, it must be stored in a dry place to protect it against humidity. Use a soft cloth to clean its outer casing.

Parts support is available for this product. To obtain a parts listing and/or diagram, please log on to www.sealey.co.uk, email sales@sealey.co.uk or telephone 01284 757500



BATTERY REMOVAL

Under the Waste Batteries and Accumulators Regulations 2009, Jack Sealey Ltd are required to inform potential purchasers of products containing batteries (as defined within these regulations), that they are registered with Valpak's registered compliance scheme. Jack Sealey Ltd's Batteries Producer Registration Number (BPRN) is BPRN00705.



WEEE REGULATIONS

Dispose of this product at the end of its working life in compliance with the EU Directive on Waste Electrical and Electronic Equipment (WEEE). When the product is no longer required, it must be disposed of in an environmentally protective way. Contact your local solid waste authority for recycling information.



ENVIRONMENT PROTECTION

Recycle unwanted materials instead of disposing of them as waste. All tools, accessories and packaging should be sorted, taken to a recycling centre and disposed of in a manner which is compatible with the environment. When the product becomes completely unserviceable and requires disposal, drain any fluids (if applicable) into approved containers and dispose of the product and fluids according to local regulations.

Note: It is our policy to continually improve products and as such we reserve the right to alter data, specifications and component parts without prior notice.

Important: No Liability is accepted for incorrect use of this product.

Warranty: Guarantee is 12 months from purchase date, proof of which is required for any claim.



REGISTER YOUR PURCHASE HERE

Sealey Group, Kempson Way, Suffolk Business Park, Bury St Edmunds, Suffolk. IP32 7AR

01284 757500

sales@sealey.co.uk

www.sealey.co.uk