

Thank you for purchasing a Sealey Product. Manufactured to a high standard this product will, if used according to these instructions and properly maintained, give you years of trouble free performance.

⚠ IMPORTANT: PLEASE READ THESE INSTRUCTIONS CAREFULLY. NOTE THE SAFE OPERATIONAL REQUIREMENTS, WARNINGS AND CAUTIONS. USE THIS PRODUCT CORRECTLY AND WITH CARE FOR THE PURPOSE FOR WHICH IT IS INTENDED. FAILURE TO DO SO MAY CAUSE DAMAGE AND/OR PERSONAL INJURY, AND WILL INVALIDATE THE WARRANTY. PLEASE KEEP INSTRUCTIONS SAFE FOR FUTURE USE.

1. SAFETY INSTRUCTIONS

- ❑ **WARNING!** Disconnect the gun from the air supply before changing accessories, servicing or performing any maintenance.
- ✓ Maintain the gun in good condition. Replace or repair damaged parts. *Use recommended parts only. Unauthorised parts may be dangerous and will invalidate the warranty.*
- ✓ Keep the gun clean and rinse out nozzle and pipes with thinners after use.
- ❑ **WARNING!** If gun components become blocked there is a danger of excessive pressure building up in unit causing the canister to burst.
- ✓ Locate the gun in a suitable, well ventilated area, keep area clean, tidy and free from unrelated materials and ensure there is adequate lighting.
- ✓ Remove ill fitting clothing. Remove ties, watches, rings and other loose jewellery and contain long hair.
- ✓ Keep children and unauthorised persons away from the working area.
- ✓ Avoid unintentional operation.
- ✓ Ensure coating/wax manufacturer's instructions are carefully followed.
- ✗ DO NOT hold gun or attachments close to your face (especially eyes, ears, etc.) and do not point gun or air hose at other persons or animals.
- ✗ DO NOT carry by the air hose, or yank the hose or the gun from the air supply.
- ✗ DO NOT use the gun for any purpose other than for which it is designed and do not use with any other fluid.
- ✗ DO NOT operate the gun if damaged.
- ✓ When not in use disconnect from the air supply and store in a safe, dry, childproof area.

2. INTRODUCTION & SPECIFICATION

2.1. Introduction

2.1.1. The SG14 is used for anti-rust treatment of vehicles and agricultural machines by the application of underseal compound or wax.

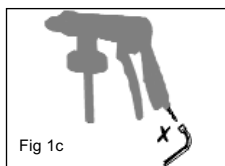
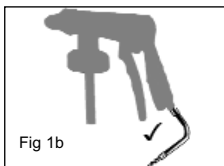
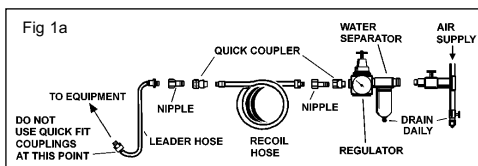
3. PREPARING THE GUN FOR USE

3.1 Air Supply

- 3.1.1 Ensure air valve is in "off" position before connecting to the air supply.
- 3.1.2. An air pressure of no more than 90psi and an air volume of 8cfm will be required.
- 3.1.3. ❑ **WARNING! Ensure air supply does not exceed 90psi. Too high a pressure will shorten the product life and may be dangerous, causing damage and/or personal injury.**
- 3.1.4. Drain air supply tank daily. Water in the air line will damage the gun and will invalidate your warranty.
- 3.1.5. Clean air inlet filter screen weekly. For recommended hook-up, see figs.1.a,b,&c.
- 3.1.6. Line pressure should be increased to compensate for unusually long air hoses (over 8 metres). The minimum hose and fittings diameter should be 10mm I.D.
- 3.1.7. Keep hoses away from heat, oil and sharp edges. Check hoses for wear and make certain that all connections are secure.

3.2. Couplings.

3.2.1. Vibration may cause failure if a quick change coupling is connected directly to the wrench. To overcome this, connect a leader hose to the wrench. A quick change coupling may then be used to connect the leader hose to the air line recoil hose. See fig. 1. a, b & c.



4. OPERATING INSTRUCTIONS

- ❑ **WARNING!** Ensure you read, understand and apply the safety instructions in Section 1 and follow the manufacturer's instructions on the underseal/wax container.

- 4.1. Screw on a canister of schutz underbody coating.
- 4.2. Ensure air supply is regulated to **no more than 6 bar (90psi)** and then attach air hose to the gun.
- 4.3. Aim the nozzle of the gun into a safe area and depress the gun trigger to check for correct operation.

4.2. Injection probe.

- 4.2.1. The SG14 is supplied with an injection probe (fig.2.A) for use with wax. The flexible probe enables wax to be sprayed into cavities, between panels and inside doors etc.
- 4.2.2. The probe fits in place of the nozzle.

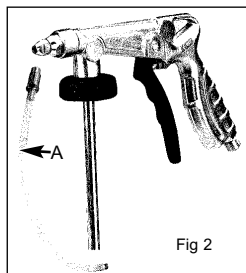
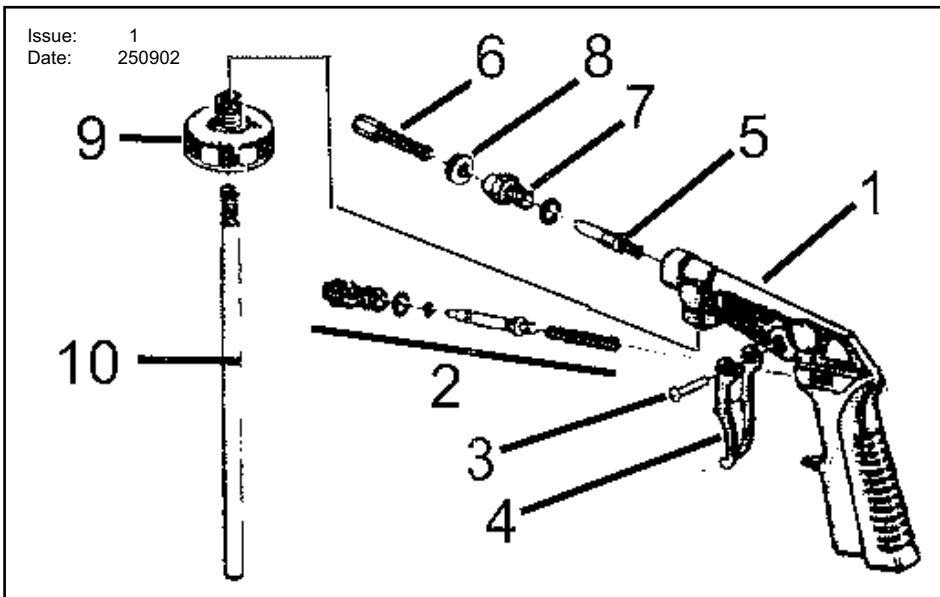


Fig 2

5. PARTS



Item	Part No	Description	Item	Part No	Description
1	142-BU098204	Body	6	142-BT098159	Spout
2	142-BH058042	Valve, complete	7	142-BS098158	Nozzle, outer
3	142-BF078138	Pin	8	142-BS098161	Lock nut
4	142-BE078250	Trigger	9	142-BU098211	Tank connection
5	142-BS078146	Nozzle, inner	10	142-BT098156	Suction pipe

NOTE: It is our policy to continually improve products and as such we reserve the right to alter data, specifications and component parts without prior notice. **IMPORTANT:** No liability is accepted for incorrect use of this equipment. **WARRANTY:** Guarantee is 12 months from purchase date, proof of which will be required for any claim. **INFORMATION:** Call us for a copy of our latest catalogue on 01284 757525 and leave your full name and address including your postcode.



Sole UK Distributor
Sealey Group, Bury St. Edmunds, Suffolk.

01284 757500

01284 703534

E-mail: sales@sealey.co.uk
Web: www.sealey.co.uk