



26MM SDS PLUS ROTARY HAMMER DRILL 900W/230V MODEL NO: SDSPLUS26

Thank you for purchasing a Sealey product. Manufactured to a high standard, this product will, if used according to these instructions, and properly maintained, give you years of trouble free performance.

IMPORTANT: PLEASE READ THESE INSTRUCTIONS CAREFULLY. NOTE THE SAFE OPERATIONAL REQUIREMENTS, WARNINGS & CAUTIONS. USE THE PRODUCT CORRECTLY AND WITH CARE FOR THE PURPOSE FOR WHICH IT IS INTENDED. FAILURE TO DO SO MAY CAUSE DAMAGE AND/OR PERSONAL INJURY AND WILL INVALIDATE THE WARRANTY. KEEP THESE INSTRUCTIONS SAFE FOR FUTURE USE.



Refer to instructions



Wear eye protection



Wear protective gloves



Wear safety footwear



Wear protective clothing



Wear ear protection

1. SAFETY

1.1. ELECTRICAL SAFETY

- ❑ **WARNING!** It is the user's responsibility to check the following:
 - Check all electrical equipment and appliances to ensure that they are safe before using. Inspect power supply leads, plugs and all electrical connections for wear and damage. Ensure that the insulation on all cables and on the appliance is safe before connecting it to the power supply.
 - ✗ **DO NOT** use worn or damaged cables, plugs or connectors.
 - ✓ Ensure that any faulty item is repaired or is replaced immediately by a qualified electrician.
 - ✓ If the cable or plug is damaged during use, switch off the electricity supply and remove from use. **Ensure that repairs are carried out by a qualified electrician.**
 - ✓ Sealey recommend that an RCD (Residual Current Device) is used with all electrical products. **Important:** Ensure that the voltage rating on the appliance suits the power supply to be used and that the plug is fitted with the correct fuse.
 - ✗ **DO NOT** pull or carry the appliance by the power cable.
 - ✗ **DO NOT** pull the plug from the socket by the cable.

1.2. GENERAL SAFETY

- ✓ Disconnect the drill from the mains power before changing accessories, servicing or performing any maintenance.
- ✓ Maintain drill in good condition. Check moving parts and alignment and keep drill bits sharp. If necessary use an authorised service agent.
- ✓ Replace or repair damaged parts. Use recommended parts only. Unauthorised parts may be dangerous and will invalidate the warranty.
- ✓ Wear approved safety eye protection with side shields and a dust mask if drilling generates dust. Protective gloves are recommended when using out doors and safety gloves when drilling items such as steel, brick work etc, remove ill fitting clothing. Remove ties, watches, rings, other loose jewellery and contain long hair.
- ✓ Use drill in an adequate working area for its function, keep area clean, tidy and free from unrelated materials and ensure adequate lighting.
- ✓ Evaluate your working area before using the drill i.e. ceiling, floors and enclosures may contain hidden electrical wires or water piping.
- ✓ Maintain correct balance and footing.
- ✗ **DO NOT** over-reach and ensure the floor is not slippery and wear non skid shoes.
- ✓ The supplementary handle grip should always be attached for use.
- ✓ Keep children and unauthorised persons away from the working area.
- ✗ **DO NOT** hold unsecured work in your hand.
- ✓ Secure non stable work piece with a clamp, vice or other adequate holding device.
- ✓ Avoid unintentional starting and ensure the lock on button is disengaged before use.
- ✗ **DO NOT** force the drill to achieve a task it was not designed to perform.
- ✗ **DO NOT** operate drill where there are flammable liquids or gasses.
- ✗ **DO NOT** get the drill wet or use in damp or wet locations.
- ✗ **DO NOT** operate the drill if any parts are missing or the drill is damaged as this may cause failure and/or possible personal injury.
- ✗ **DO NOT** operate the drill when you are tired, under the influence of alcohol, drugs or intoxicating medication.
- ✗ **DO NOT** abuse the cord. Never use the cord for carrying, pulling or unplugging the power tool. Keep cord away from heat, oil, sharp edges or moving parts. Damaged or entangled cords increase the risk of electric shock.
- ✓ Avoid body contact with earthed or grounded surfaces such as pipes, radiators, ranges and refrigerators. There is an increased risk of electric shock if your body is earthed or grounded.
- ✓ Use the power tool, accessories and tool bits etc. in accordance with these instructions and in the manner intended for the particular type of power tool, taking into account the working conditions and the work to be performed. Use of the power tool for operations different from intended could result in hazardous situation.
- ✓ Avoid accidental starting. Ensure the switch is in the off position before plugging in. Carrying power tools with your finger on the switch or plugging in power tools that have the switch on invites accidents.
- ✓ Keep cutting tools sharp and clean. Properly maintained cutting tools with sharp cutting edges are less likely to bind and are easier to control.

- ✓ Store all safety notes and safety instructions for future reference. The term power tool in all of the warnings listed below refers to your mains operated (corded) power tool or battery operated (cordless) power tool.

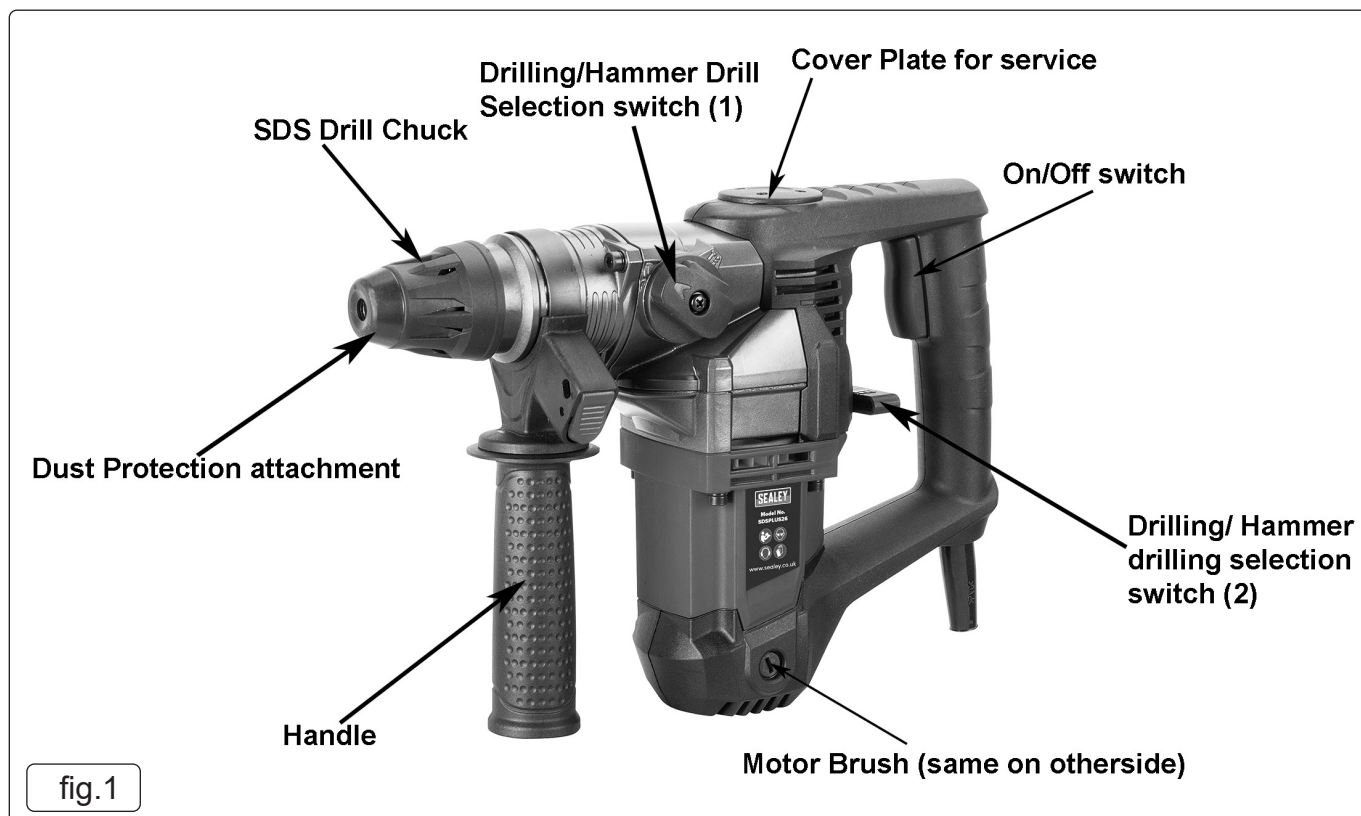
2. INTRODUCTION

Powerful rotary hammer drill with SDS Plus chuck. Three drilling functions. Safety clutch system. Supplied in storage case with 8mm, 10mm and 12mm masonry drill bits, pin and cold chisels and PVC dust cap. Fitted with 360° auxiliary handle.

3. SPECIFICATION

Model No:..... SDSPLUS26
 Chuck Type:..... SDS Plus
 Concrete Drilling Diameter:..... 26 mm
 Impact Energy:..... 4.2J
 Impact Rate:..... 4300 bpm
 No Load Speed:..... 880 rpm
 Noise Power:..... 106 dB(A) LWA
 Noise Pressure:..... 95 dB(A) LPA
 Power:..... 900W
 Power Supply Cable Length:..... 2m

4. OPERATION



4.1. AUXILIARY HANDLE

4.1.1. Push the auxiliary handle over the drill chuck and onto the locating ring and then tighten it by turning the handle.

4.2. INSERTING SDS BITS AND CHISELS

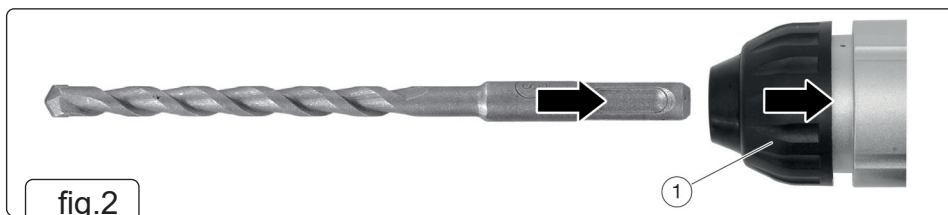
4.2.1. Remove the plug from the socket.

4.2.2. Draw back the SDS drill chuck to the end stop.

4.2.3. Insert the bit or chisel to the chuck.

4.2.4. Release the outside of the SDS drill chuck.

4.2.5. It should only be possible to move the bit or chisel in the drill chuck by approximately 1 cm forwards or backwards.



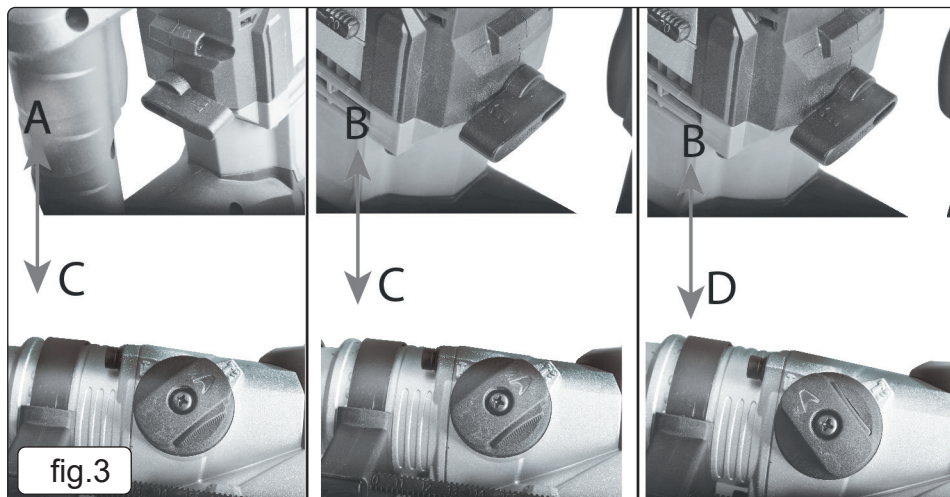
4.3. ON/OFF SWITCH (FIG.1)

4.3.1. The hammer drill is started by pressing the on/off switch.

4.3.2. Release the on/off switch to switch it off.

4.4. DRILLING/HAMMER DRILLING

- 4.4.1. By shifting the selection switch 2 (fig.1) to position (A) or (B), you can select the drilling or hammer drilling function.
- 4.4.2. Setting Drilling: A+C
- 4.4.3. Setting Hammer Drilling: B+C
- 4.4.4. Setting Chiselling: B+D



4.5. ROTATION STOP ON/OFF

- 4.5.1. For drilling, always set the selection switch 1 (fig.1) to (C).
- 4.5.2. For chiselling, always set the selection switch 1 (fig.1) to (D) That way, rotation is deactivated.

4.6. DUST PROTECTION ATTACHMENT

- ☐ **WARNING!** Wear approved safety eye protection with side shields and a dust mask if drilling generates dust.
- 4.6.1. Use the dust protection cap when drilling overhead, to collect the dust from drilling.
- 4.6.2. Put the dust cap on the tool.
- 4.6.3. Put the tool into the SDS drill chuck.

5. MAINTENANCE

5.1. CLEANING

WHAT?	HOW?
Clean the ventilation slots of the motor to remove dust.	Use a vacuum, cleaning brush or paint brush.
Clean the device.	Wipe the unit with a damp cloth.

▲ **DANGER!** Unprofessional repairs may mean that your unit will no longer operate safely. This endangers you and your environment. If you are unable to eliminate the error yourself, please contact your local Sealey stockist directly. Please remember that repairs carried out by non-professionals will invalidate your warranty claim and may cause additional costs.

ERROR/FAULT	CAUSE	REMEDY
Tool holder does not turn.	No power supply.	Check the cable, plug, and the fuse.
	Is the device defective.	Contact your local Sealey stockist.
No hammer drilling function.	Selection switch is not set correctly.	Put the switch to position
No chasing function.		Set the switch to position

5.2. If the tool has decreased performance, have the unit serviced and the carbon brushes replaced by a qualified service technician.

WARNING! – Risk of Hand Arm Vibration Injury.

This tool may cause Hand Arm Vibration Syndrome if its use is not managed adequately. This tool is subject to the vibration testing section of the Machinery Directive 2006/42/EC. This tool is to be operated in accordance with these instructions.

Measured vibration emission value (a):.....26.41 m/s²

Uncertainty value (k):.....1.5 m/s²

Please note that the application of the tool to a sole specialist task may produce a different average vibration emission. We recommend that a specific evaluation of the vibration emission is conducted prior to commencing with a specialist task.

A health and safety assessment by the user (or employer) will need to be carried out to determine the suitable duration of use for each tool. NB: Stated Vibration Emission values are type-test values and are intended to be typical. Whilst in use, the actual value will vary considerably from and depend on many factors. Such factors include; the operator, the task and the inserted tool or consumable.

NB: ensure that the length of leader hoses is sufficient to allow un restricted use, as this also helps to reduce vibration.

The state of maintenance of the tool itself is also an important factor, a poorly maintained tool will also increase the risk of Hand Arm Vibration Syndrome.

Health surveillance.

We recommend a programme of health surveillance to detect early symptoms of vibration injury so that management procedures can be modified accordingly.

Personal protective equipment.

We are not aware of any personal protective equipment (PPE) that provides protection against vibration injury that may result from the uncontrolled use of this tool. We recommend a sufficient supply of clothing (including gloves) to enable the operator to remain warm and dry and maintain good blood circulation in fingers etc. Please note that the most effective protection is prevention, please refer to the Correct Use and Maintenance section in these instructions. Guidance relating to the management of hand arm vibration can be found on the HSC website www.hse.gov.uk - Hand-Arm Vibration at Work.



ENVIRONMENT PROTECTION

Recycle unwanted materials instead of disposing of them as waste. All tools, accessories and packaging should be sorted, taken to a recycling centre and disposed of in a manner which is compatible with the environment. When the product becomes completely unserviceable and requires disposal, drain any fluids (if applicable) into approved containers and dispose of the product and fluids according to local regulations.



WEEE REGULATIONS

Dispose of this product at the end of its working life in compliance with the EU Directive on Waste Electrical and Electronic Equipment (WEEE). When the product is no longer required, it must be disposed of in an environmentally protective way. Contact your local solid waste authority for recycling information.

Note: It is our policy to continually improve products and as such we reserve the right to alter data, specifications and component parts without prior notice.

Important: No Liability is accepted for incorrect use of this product.

Warranty: Guarantee is 12 months from purchase date, proof of which is required for any claim.

Sealey Group, Kempson Way, Suffolk Business Park, Bury St Edmunds, Suffolk. IP32 7AR



01284 757500



sales@sealey.co.uk



www.sealey.co.uk