



40MM SDS PLUS ROTARY HAMMER DRILL 1500W/230V

MODEL NO: **SDSMAX40**

Thank you for purchasing a Sealey product. Manufactured to a high standard, this product will, if used according to these instructions, and properly maintained, give you years of trouble free performance.

IMPORTANT: PLEASE READ THESE INSTRUCTIONS CAREFULLY. NOTE THE SAFE OPERATIONAL REQUIREMENTS, WARNINGS & CAUTIONS. USE THE PRODUCT CORRECTLY AND WITH CARE FOR THE PURPOSE FOR WHICH IT IS INTENDED. FAILURE TO DO SO MAY CAUSE DAMAGE AND/OR PERSONAL INJURY AND WILL INVALIDATE THE WARRANTY. KEEP THESE INSTRUCTIONS SAFE FOR FUTURE USE.



Refer to instructions



Wear eye protection



Wear protective gloves



Wear safety footwear




Wear protective clothing

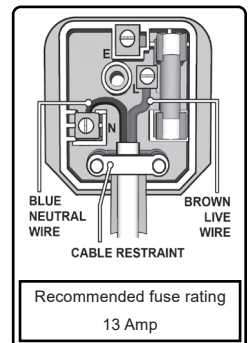


Wear ear protection

1. SAFETY

1.1. ELECTRICAL SAFETY

- ❑ **WARNING!** It is the user's responsibility to check the following:
 - Check all electrical equipment and appliances to ensure that they are safe before using. Inspect power supply leads, plugs and all electrical connections for wear and damage. Sealey recommend that an RCD (Residual Current Device) is used with all electrical products. You may obtain an RCD by contacting your local Sealey stockist.
 - If the product is used in the course of business duties, it must be maintained in a safe condition and routinely PAT (Portable Appliance Test) tested.
 - Electrical safety information, it is important that the following information is read and understood.
- 1.1.1. Ensure that the insulation on all cables and on the appliance is safe before connecting it to the power supply.
- 1.1.2. Regularly inspect power supply cables and plugs for wear or damage and check all connections to ensure that they are secure.
- 1.1.3. **Important:** Ensure that the voltage rating on the appliance suits the power supply to be used and that the plug is fitted with the correct fuse - see fuse rating in these instructions.
 - * **DO NOT** pull or carry the appliance by the power cable.
 - * **DO NOT** pull the plug from the socket by the cable. Remove the plug from the socket by maintaining a firm grip on the plug.
 - * **DO NOT** use worn or damaged cables, plugs or connectors. Ensure that any faulty item is repaired or replaced immediately by a qualified electrician.
- 1.1.4. This product is fitted with a BS1363/A 13 Amp 3 pin plug.
 - If the cable or plug is damaged during use, switch off the electricity supply and remove from use.
 - Replace a damaged plug with a BS1363/A 13 Amp 3 pin plug. If in doubt contact a qualified electrician.
 - Class II products are wired with live (brown) and neutral (blue) only are marked with the  Class II symbol;
 - A) Connect the BROWN live wire to the live terminal 'L'.
 - B) Connect the BLUE neutral wire to the neutral terminal 'N'.
 - C) After wiring, check that there are no bare wires and ensure that all wires have been correctly connected.
 - Ensure that the cable outer sheath extends inside the cable restraint and that the restraint is tight.
- * **DO NOT** connect either wire to the earth terminal.
- Sealey recommend that repairs are carried out by a qualified electrician.



1.2. GENERAL SAFETY

- ✓ Disconnect the drill from the mains power before changing accessories, servicing or performing any maintenance.
- ✓ Maintain drill in good condition. Check moving parts and alignment and keep drill bits sharp. If necessary use an authorised service agent.
- ✓ Replace or repair damaged parts. Use recommended parts only. Unauthorised parts may be dangerous and will invalidate the warranty. Repairs must be carried out by qualified personnel.
- ✓ Wear approved safety eye protection with side shields and a dust mask if drilling generates dust. Protective gloves are recommended when using out doors and safety gloves when drilling items such as steel, brick work etc, remove ill fitting clothing.
- ✓ Remove ties, watches, rings, other loose jewellery and contain long hair.
- ✓ Use drill in an adequate working area for its function, keep area clean, tidy and free from unrelated materials and ensure adequate lighting.
- ✓ Evaluate your working area before using the drill i.e. ceiling, floors and enclosures may contain hidden electrical wires or water piping. Use suitable detectors to determine if utility lines are hidden within the work area.
- * **DO NOT** use in explosive atmospheres, such as in the presence of flammable liquids, gases or dust.
- ✓ Maintain correct balance and footing. Hold the tool with both hands.
- * **DO NOT** over-reach and ensure the floor is not slippery and wear non skid shoes.
- ✓ The supplementary handle grip should always be attached for use.
- ✓ Keep children and unauthorised persons away from the working area.
- * **DO NOT** hold unsecured work in your hand.
- ✓ Secure non stable work piece with a clamp, vice or other adequate holding device.
- ✓ Avoid unintentional starting and ensure the lock on button is disengaged before use.
- * **DO NOT** force the drill to achieve a task it was not designed to perform.
- * **DO NOT** operate drill where there are flammable liquids or gasses.

- ✗ **DO NOT** get the drill wet or use in damp or wet locations.
- ✗ **DO NOT** operate the drill if any parts are missing or the drill is damaged as this may cause failure and/or possible personal injury.
- ✗ **DO NOT** operate the drill when you are tired, under the influence of alcohol, drugs or intoxicating medication.
- ✗ **DO NOT** abuse the cord. Never use the cord for carrying, pulling or unplugging the power tool. Keep cord away from heat, oil, sharp edges or moving parts. Damaged or entangled cords increase the risk of electric shock.
- ✓ Always allow the tool to come to a complete stop before putting the tool down.
- ✓ When operating the tool outdoors, use a tool suitable for outdoor use.
- ✓ Avoid body contact with earthed or grounded surfaces such as pipes, radiators, ranges and refrigerators. There is an increased risk of electric shock if your body is earthed or grounded.
- ✓ Use the power tool, accessories and tool bits etc. in accordance with these instructions and in the manner intended for the particular type of power tool, taking into account the working conditions and the work to be performed. Use of the power tool for operations different from intended could result in hazardous situation.
- ✓ Avoid accidental starting. Ensure the switch is in the off position before plugging in. Carrying power tools with your finger on the switch or plugging in power tools that have the switch on invites accidents.
- ✓ Keep cutting tools sharp and clean. Properly maintained cutting tools with sharp cutting edges are less likely to bind and are easier to control.
- ✓ Store out of reach of children.
- ✗ **DO NOT** allow untrained persons to use the tool.
- ✓ Store all safety notes and safety instructions for future reference. The term power tool in all of the warnings listed below refers to your mains operated (corded) power tool or battery operated (cordless) power tool.

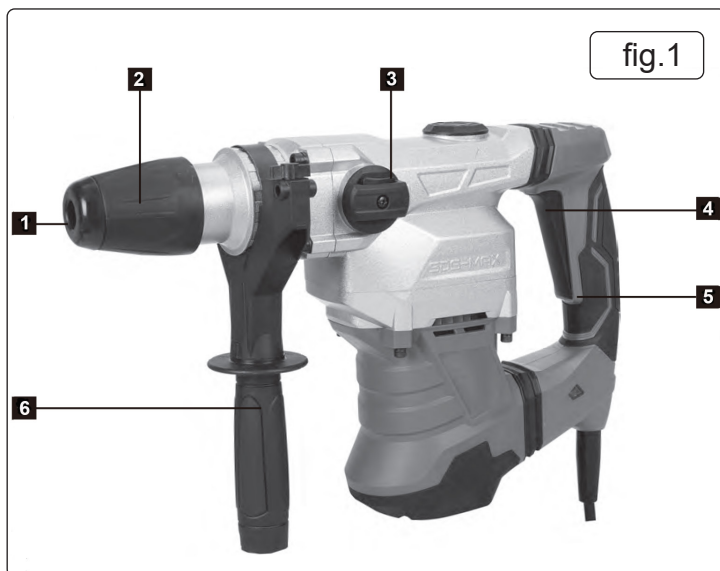
2. INTRODUCTION

Powerful rotary hammer drill with SDS MAX chuck. Two functions, hammer and rotary hammer. Anti-vibration shock absorbers built into body. Safety clutch system. LED Mains power indicator. Easy-access grease plug for gear maintenance. Supplied in storage case with 18mm masonry drill bit, pin chisel, PVC dust cap and depth gauge. Fitted with 360° auxiliary handle.

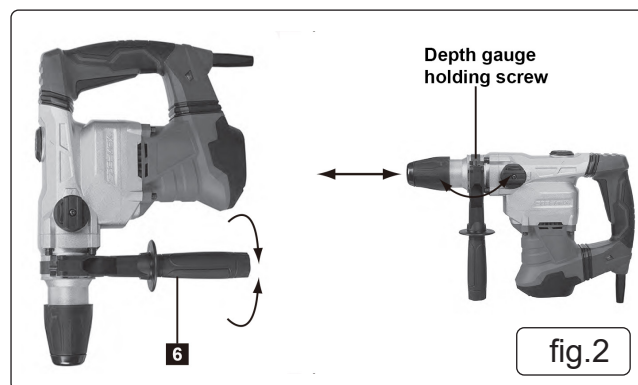
3. SPECIFICATION

Model No:.....SDSMAX40
 Chuck Type:..... SDS Max
 Concrete Drilling Diameter:..... 40mm
 Impact Energy:..... 12J
 Impact Rate:..... 3780bpm
 No Load Speed:..... 0-480rpm
 Noise power..... 106dBA
 Noise pressure..... 95dBA
 Vibration..... 16.45m/s²
 Uncertainty..... 1.5m/s²

4. FEATURES



1. Dust guard
2. Locking sleeve
3. Rotary switch for rotation stop/hammer stop
4. On/Off switch
5. Handle
6. Additional handle



5. OPERATION

- 5.1. Check the work area for concealed cables and utility pipes.
- 5.2. **FIT ADDITIONAL HANDLE**, fig.2
 - 5.2.1. For safety reasons only use the hammer drill with the additional handle.
 - 5.2.2. The additional handle (6) enables you to achieve better stability whilst using the hammer drill. The machine must not be used without the additional handle (6) for safety reasons.
 - 5.2.3. The additional handle (6) is secured to the hammer drill by a clamp. Turning the handle anticlockwise (looking from the handle) will release the clamp. Turning the handle clockwise will tighten the clamp.
 - 5.2.4. First release the additional handle clamp. You can then swing the additional handle (6) into the most comfortable working position for you. Now turn the additional handle in the opposite direction again until the additional handle is secure.

5.3. TOOL INSERTION, fig.3

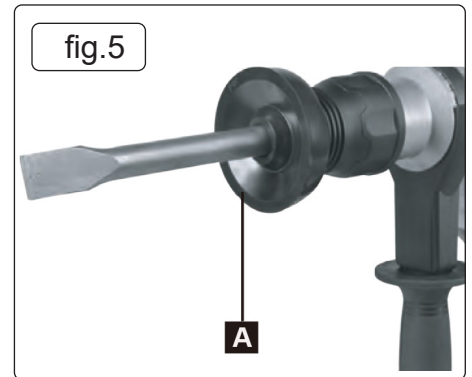
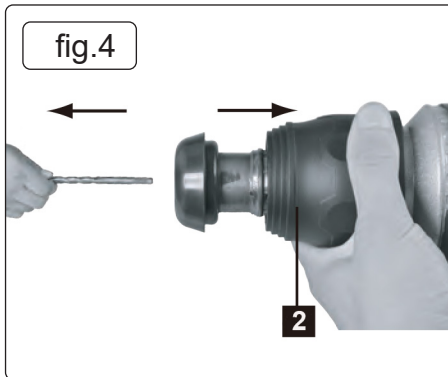
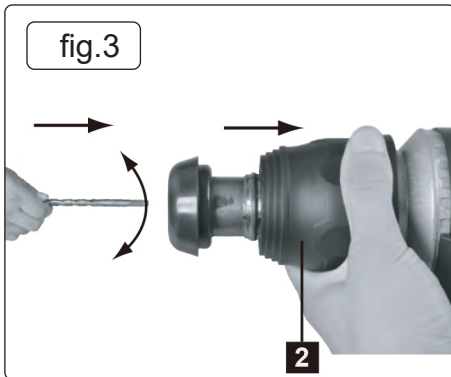
- 5.3.1. Clean the tool before insertion and apply a thin coating of drill bit grease to the shaft of the tool.
- 5.3.2. Pull back and hold the locking sleeve (2).
- 5.3.3. Insert the dust-free tool into the tool mounting as far as it will go whilst turning it. The tool will lock itself.
- 5.3.4. Check that it is properly secure by pulling the tool.

5.4. TOOL REMOVAL, fig.4

- 5.4.1. Pull back and hold the locking sleeve (2) and remove the tool.

5.5. DUST COLLECTION DEVICE, fig.5

- 5.5.1. Slide the dust collection device (a) over the drill bit before carrying out any hammer drilling vertically above your head.



5.6. SWITCHING ON/OFF

- 5.6.1. Press switch, fig 1.4 to turn on and release to switch off.

5.7. ROTARY MODE SWITCH refer to illustrations below

HAMMER (LOCKED)



HAMMER (FREE ROTATION)



HAMMER DRILL



NOTE: It is not possible to operate the hammer drill with the hammer stop and rotation stop facilities both active at the same time.
IMPORTANT: Only low pressure is required for hammer drilling. Excessive pressure will exert an unnecessary force on the motor. Check drill bits at regular intervals. Sharpen or replace blunt drill bits.

6. MAINTENANCE

- ❑ **WARNING!** Remove from mains supply before performing any maintenance.
- 6.1. Keep all safety devices, air vents and the motor housing free of dirt and dust as far as possible.
- 6.2. Wipe the equipment with a clean cloth or blow it with compressed air at low pressure, wear PPE as necessary.
- 6.3. Clean after each time tool is used. Clean the tool regularly with a moist cloth and some soft soap.
- ✗ **DO NOT** use cleaning agents or solvents; these could attack the plastic parts of the equipment. Ensure that no water can seep into the device.

WARNING! – Risk of Hand Arm Vibration Injury.

This tool may cause Hand Arm Vibration Syndrome if its use is not managed adequately.
This tool is subject to the vibration testing section of the Machinery Directive 2006/42/EC.
This tool is to be operated in accordance with these instructions.

Measured vibration emission value (a):.....16.45m/s²
Uncertainty value (k):.....1.5m/s²

Please note that the application of the tool to a sole specialist task may produce a different average vibration emission. We recommend that a specific evaluation of the vibration emission is conducted prior to commencing with a specialist task.

A health and safety assessment by the user (or employer) will need to be carried out to determine the suitable duration of use for each tool.
NB: Stated Vibration Emission values are type-test values and are intended to be typical. Whilst in use, the actual value will vary considerably from and depend on many factors. Such factors include; the operator, the task and the inserted tool or consumable.
NB: ensure that the length of leader hoses is sufficient to allow un restricted use, as this also helps to reduce vibration.

The state of maintenance of the tool itself is also an important factor, a poorly maintained tool will also increase the risk of Hand Arm Vibration Syndrome.

Health surveillance.

We recommend a programme of health surveillance to detect early symptoms of vibration injury so that management procedures can be modified accordingly.

Personal protective equipment.

We are not aware of any personal protective equipment (PPE) that provides protection against vibration injury that may result from the uncontrolled use of this tool. We recommend a sufficient supply of clothing (including gloves) to enable the operator to remain warm and dry and maintain good blood circulation in fingers etc. Please note that the most effective protection is prevention, please refer to the Correct Use and Maintenance section in these instructions. Guidance relating to the management of hand arm vibration can be found on the HSC website www.hse.gov.uk - Hand-Arm Vibration at Work.



ENVIRONMENT PROTECTION

Recycle unwanted materials instead of disposing of them as waste. All tools, accessories and packaging should be sorted, taken to a recycling centre and disposed of in a manner which is compatible with the environment. When the product becomes completely unserviceable and requires disposal, drain any fluids (if applicable) into approved containers and dispose of the product and fluids according to local regulations.



WEEE REGULATIONS

Dispose of this product at the end of its working life in compliance with the EU Directive on Waste Electrical and Electronic Equipment (WEEE). When the product is no longer required, it must be disposed of in an environmentally protective way. Contact your local solid waste authority for recycling information.

Note: It is our policy to continually improve products and as such we reserve the right to alter data, specifications and component parts without prior notice.

Important: No Liability is accepted for incorrect use of this product.

Warranty: Guarantee is 12 months from purchase date, proof of which is required for any claim.

Sealey Group, Kempson Way, Suffolk Business Park, Bury St Edmunds, Suffolk. IP32 7AR



01284 757500



01284 703534



sales@sealey.co.uk



www.sealey.co.uk