

Thank you for purchasing a Sealey product. Manufactured to a high standard this product will, if used according to these instructions and properly maintained, give you years of trouble free performance.



**IMPORTANT: PLEASE READ THESE INSTRUCTIONS CAREFULLY. NOTE THE SAFE OPERATIONAL REQUIREMENTS, WARNINGS AND CAUTIONS. USE THIS PRODUCT CORRECTLY AND WITH CARE FOR THE PURPOSE FOR WHICH IT IS INTENDED. FAILURE TO DO SO MAY CAUSE DAMAGE OR PERSONAL INJURY AND WILL INVALIDATE THE WARRANTY. PLEASE KEEP INSTRUCTIONS SAFE FOR FUTURE USE.**

### 1. SAFETY INSTRUCTIONS

#### 1.1. ELECTRICAL SAFETY. **WARNING! It is the user's responsibility to read, understand and comply with the following:**

You must check all electrical equipment and appliances to ensure they are safe before using. You must inspect power supply leads, plugs and all electrical connections for wear or damage. You must ensure the risk of electric shock is minimised by the installation of appropriate safety devices. An RCCB (Residual Current Circuit Breaker) should be incorporated in the main distribution board. We also recommend that an RCD (Residual Current Device) is used with all electrical products. It is particularly important to use an RCD with portable products that are plugged into an electrical supply not protected by an RCCB. If in doubt consult a qualified electrician. You may obtain a Residual Current Device by contacting your Sealey dealer. **You must** also read and understand the following instructions concerning electrical safety.

- 1.1.1. The **Electricity At Work Act 1989** requires all portable electrical appliances, if used on business premises, to be tested by a qualified electrician, using a Portable Appliance Tester (PAT), at least once a year.
- 1.1.2. The **Health & Safety at Work Act 1974** makes owners of electrical appliances responsible for the safe condition of those appliances and the safety of appliance operators. **If in any doubt about electrical safety, contact a qualified electrician.**

1.1.3. Ensure the insulation on all cables and the product itself is safe before connecting to the mains power supply. See 1.1.1. & 1.1.2. above and use a Portable Appliance Tester (PAT).

1.1.4. Ensure that cables are always protected against short circuit and overload.

1.1.5. Regularly inspect power supply leads and plugs for wear or damage and connections to ensure that none is loose.

1.1.6. **Important:** Ensure the voltage marked on the product is the same as the electrical power supply to be used, and check that plugs are fitted with the correct capacity fuse. A 13 amp plug may require a fuse smaller than 13 amps for certain products - see fuse rating at right.

1.1.7. DO NOT pull or carry the powered appliance by its power supply lead.

1.1.8. DO NOT pull power plugs from sockets by the power cable.

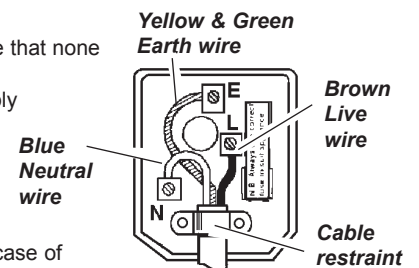
1.1.9. DO NOT use worn or damage leads, plugs or connections. Immediately replace or have repaired by a qualified electrician. Where a U.K. 3 pin plug with ASTA/BS approval is fitted, in case of damage, cut off and fit a new plug according to the following instructions (discard old plug safely). (UK only - see diagram at right). **Ensure the unit is correctly earthed via a three-pin plug.**

a) **Connect the GREEN/YELLOW earth wire to the earth terminal 'E'.**

b) **Connect the BROWN live wire to the live terminal 'L'.**

c) **Connect the BLUE neutral wire to the neutral terminal 'N'.**

**After wiring, check there are no bare wires, that all wires have been correctly connected, that the cable outer insulation extends past the cable restraint and that the restraint is tight.**



**FUSE RATING**  
THE PLUG FITTED TO THIS PRODUCT MUST HAVE A  
**5 AMP FUSE**

Double insulated products are fitted with live (BROWN) and neutral (BLUE) wires only. Double insulated products are always marked with this symbol . **To re-wire, connect the brown & blue wires as indicated above. DO NOT connect the brown or blue wires to the earth terminal.**

1.1.10. **NOTE:** If a product requires more than a 13 amp electrical supply, then **NO** plug is fitted. **You must** then contact a qualified electrician to ensure a 30 amp fused supply is available. We recommend you discuss the installation of a industrial round pin plug and socket with your electrician.

1.1.11. **Cable extension reels.** When a cable extension reel is used it should be fully unwound before connection. A cable reel with an RCD fitted is recommended since any product which is plugged into the cable reel will be protected. The section of the cores in the cable is important and should be at least 1.5mm<sup>2</sup>, but to be absolutely sure that the capacity of the cable reel is suitable for this product and for others that may be used in the other output sockets, the use of 2.5mm<sup>2</sup> section is recommended.

#### 1.2 GENERAL SAFETY

**WARNING! Disconnect drill from mains power before changing accessories, servicing or performing any maintenance.**

✓ Maintain the drill in good condition (use an authorised service agent).

**WARNING! Keep all guards and holding screws in place, tight and in good working order. Check regularly for damaged parts. A guard, or any other part, that is damaged should be repaired/replaced before the tool is used, to ensure that it will operate properly and perform its intended function. The safety guard is a mandatory fitting where drill is used in premises covered by the Health & Safety at Work Act.**

✓ Check alignment of moving parts and check for possible broken parts.

✓ Replace or repair damaged parts. *Use recommended parts only. Non-authorized parts may be dangerous and will invalidate the warranty.*

✓ Ensure the set screws of the head frame are tight before using the drill.

✓ Secure the drill to a supporting structure to avoid the machine tipping, sliding or walking. Drill is designed for use with drill bits only. No other accessory may be used.

✓ Ensure the chuck is securely fastened to the spindle.

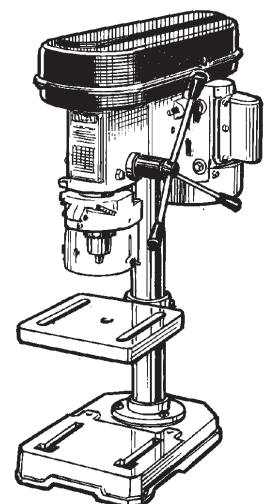
✓ Remove adjusting keys and wrenches from the machine and working area before switching on.

✓ Use clamps or a vice (not included) to secure the workpiece. Available from your Sealey dealer. **DO NOT** secure the workpiece by hand.

✓ Refer to speed chart for recommended drilling speeds.

**WARNING! Always wear approved eye or face protection when operating this drill. Use a face or dust mask if dust is generated.**

**WARNING! DO NOT wear gloves when drilling.**



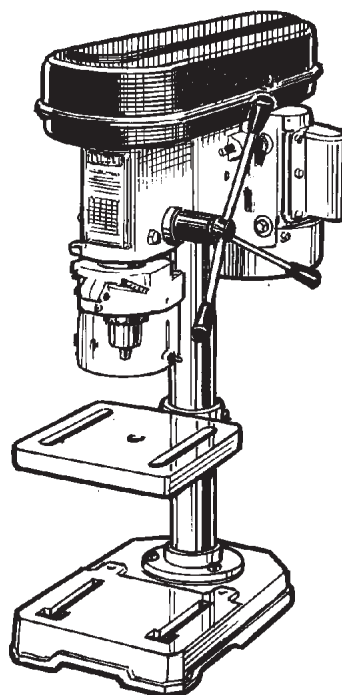
- ✓ Others in the workplace should keep a safe distance from the drill, especially when it is in operation.
- ✓ Keep the work area as childproof as possible by using padlocks and master switches.
- ✓ Keep drill bits clean and sharp for best and safest performance. Follow the instructions for lubrication and changing accessories.
- ✓ Remove ill fitting clothing. Remove ties, watches, rings and other loose jewellery and contain long hair.
- ✓ Locate the drill in a suitable working area, keep area clean and tidy and free from unrelated materials. Ensure there is adequate lighting.
- ✓ Maintain correct balance and footing. Ensure the floor is not slippery and wear non-slip shoes.
- ✓ Secure non-stable work piece with a clamp, vice or other adequate holding device.
- ✓ Avoid unintentional starting.
- x **DO NOT** force the drill to achieve a task it was not designed to perform.
- x **DO NOT** allow untrained persons to operate the drill.
- x **DO NOT** get the drill wet or use in damp or wet locations or areas where there is condensation.
- x **DO NOT** operate the drill if damaged.
- x **DO NOT** use drill in an area where paint fumes, solvents or flammable liquids pose a potential hazard. Keep flammable material away from the drill when operating. Flammable waste, such as wiping or cleaning rags, must be placed in a closed metal container and disposed of correctly.
- x **DO NOT** exceed the rated capacity of the drill.
- x **DO NOT** operate the drill if any parts are missing as this may cause failure and/or personal injury.
- x **DO NOT** leave the drill operating unattended.
- x **DO NOT** operate the drill when you are tired, under the influence of alcohol, drugs or intoxicating medication.
- x **DO NOT** pull the cable from the power supply.
- ✓ When not in use switch the drill off, remove plug from the power supply and do not leave until the tool has come to a complete stop.

## 2. DESCRIPTION

The SDM30 variable speed bench drill is suitable for light industrial, agricultural and woodworking applications. The drill is fitted with a flip-up safety guard and "No Volt Release" switch which prevents accidental restart after a mains power interruption. A rack and pinion feed shaft with preset depth control for repetitive work is also included. Work clamps are also available for this drill, contact your local Sealey dealer for information.

## 3. TECHNICAL SPECIFICATION

Model	SDM30
Chuck size (mm)	13
Spindle Nose Taper	JT-2½
Swing (mm)	256
Chuck to Upright Face (mm)	105
Spindle Travel (mm)	50
Number of Speeds	5
Speed Range (rpm)	650 - 2800
Spindle to Table - max. (mm)	208
Spindle to Base - max. (mm)	293
Working Table (mm)	162 x 158
Working Base (mm)	180 x 140
Overall Base (mm)	310 x 198
Column Diameter (mm)	46
Overall Height (mm)	583
Voltage (AC)	230
Motor Range - no load (W)	170
- under load (W)	330
Weight (kg)	18



## 4. CONTENT

### 4.1. Package content

Unpack the parts listed below and check to ensure they are in good condition. Any queries must be reported to your dealer immediately.

- ✓ Head Assembly
- ✓ Column with Flange
- ✓ 3 Bolts and Washers
- ✓ Base
- ✓ Feed Handles and Knobs (3)
- ✓ Safety Guard
- ✓ Chuck and Key
- ✓ Table and Bracket
- ✓ Hex. Keys (2)

## 5. ASSEMBLY

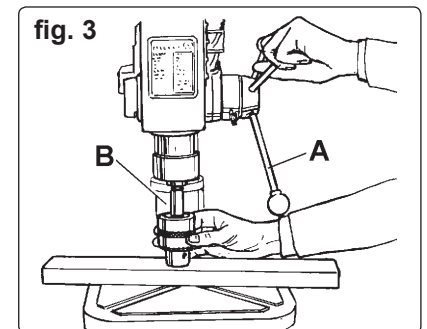
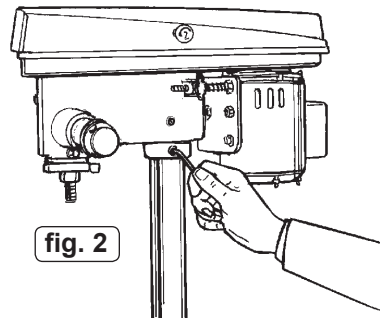
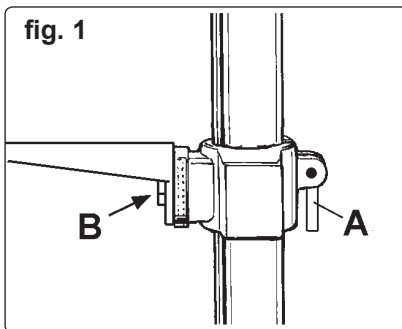
**Note: Figures are illustrative and may differ in detail from your drill.**

### 5.1. Assembly

- 5.1.1. Place the column assembly on the base, align holes and secure with the three screws and washers provided.
- 5.1.2. Install the table onto the column and tighten clamp screw (fig.1.A).
- 5.1.3. Carefully place the head assembly over the column and slide it into position. Align head with base.
- 5.1.4. Tighten the two set screws in the right side of the head to lock it into position (fig.2).
- 5.1.5. Screw the three feed handles and knobs into the pinion shaft (fig.3.A).
- 5.1.6. To install chuck open the chuck jaws completely by turning the chuck key counter-clockwise. Place a piece of wood on the drill table (to prevent the chuck from getting damaged).
- 5.1.7. Fit chuck to protruding end of spindle and hold in place (fig.3.B).
- 5.1.8. Turn feed handles to bring nose of chuck down onto wood (fig.3). Firmly pull on feed handle to seat the spindle taper in the chuck.
- 5.1.9. The safety guard mounting is pre-fitted to the drill head. Remove the three small screws in the guard support channel, insert the guard and refit the screws, through the holes provided in the guard. Note that the guard is in two parts held together by two screws and wing nuts. For packaging purposes these are supplied with the wing nuts on the inside of the guard. Before use remove screws and wing nuts and refit so that wing nuts are on the outside and accessible.

### 5.2. Drill mounting

- 5.2.1. **For stability and safety it is important** that the drill base is securely bolted to the workbench.
- 5.2.2. Ensure that the mounting surface is capable of supporting the drill together with the weight of the heaviest likely workpiece.



## 6. OPERATING INSTRUCTIONS

**WARNING! Ensure the drill is unplugged from the mains power supply before commencing.**

### 6.1. Install drill bit

- 6.1.1. Insert drill bit into chuck jaws to 1" (25mm) deep (avoid inserting small bits too far) and centre bit in chuck before tightening jaws with chuck key.

### 6.2. Adjusting the table

- 6.2.1. To adjust table up, down or round the column, loosen clamp bolt (fig.1.A). Move table to required position and tighten clamp bolt (fig.1.A).

- 6.2.2. To adjust table tilt, loosen the work table bolt (fig.1.B), adjust to the desired angle using the angle scale, then retighten.

### 6.3. Adjusting the speed

- 6.3.1. Open the pulley cover and loosen the belt tension lock screw (fig.4.A).
- 6.3.2. Choose the speed for drilling operation (see drill speed chart) and move the belt to the correct position for that speed, as shown on the chart inside the pulley cover.

### 6.4. Belt tension

- 6.4.1. With the belt tension lock screw (fig.4.A) loosened the motor plate spring will automatically give the correct belt tension (belt give of approx.  $\frac{1}{2}$ "/13mm under finger pressure). Tighten lock screw and close pulley cover.

### 6.5. Positioning the workpiece

- 6.5.1. Use a piece of wood to rest the workpiece on. The drill bit may break through the workpiece and damage the table otherwise. The wood should rest on the table so that one end of it is against the left side of the column. When the drill bit breaks through the workpiece, it will contact the wood and cause it to spin. Resting the wood against the column will prevent this.

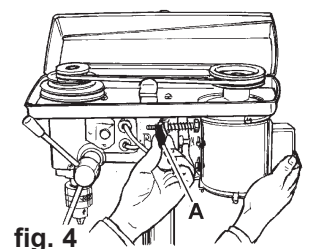
- 6.5.2. For small workpieces that cannot be clamped to the table, use a drill vice (not included). Vice must be clamped or bolted to table.

### 6.6. Setting drill depth

- 6.6.1. Use the scale at the front of the drill head.
- 6.6.2. Loosen lock nuts on threaded rod and adjust so that at desired drill depth nuts contact head lug and prevent further drill movement. Tighten lock nuts.
- 6.6.3. When ready to drill, simply pull the feed handle. The drill feed will stop at the set depth.

### 6.7. Guard

- 6.7.1. Always adjust guard length, by loosening wing nut at each side (fig.5.A), to give maximum protection before starting to drill.



## 7. DRILL SPEEDS

The chart below shows recommended drill speeds for various bit diameters and materials. Select the available drill speed that is the same as, or nearest to, the one recommended for the task in hand.

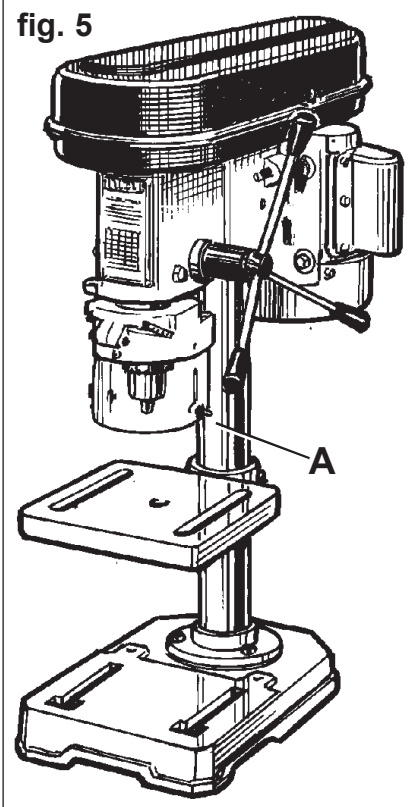
Drill Dia. (mm)	Drill Speed (rpm)			
	Steel	Cast Iron	Iron	Alum. & Copper
3	1820	2580	2580	2580
4	1350	1820	1820	2580
5	1290	1350	1350	2580
6	970	1290	1290	2580
7	830	970	970	2580
8	830	970	970	2580
9	500	970	830	1820
10	500	830	830	1820
11	500	830	830	1820
12	420	830	500	1820
13	420	500	500	1350
14	420	500	500	1350
16	320	500	500	1290
18	320	420	420	1290
20	280	320	320	970
22	210	320	280	970
25	120	280	210	830

## 8. MAINTENANCE

- 8.1. Clean the tool after each use. A coat of automobile-type wax applied to the table and column will help to keep the surfaces clean.
- 8.2. Blow out any dust that may have accumulated in the motor.
- 8.3. Periodically lubricate all moving parts.

## 9. TROUBLESHOOTING

PROBLEM	POSSIBLE CAUSE(S)	SOLUTION
Excessive noise	<ol style="list-style-type: none"> <li>1. Incorrect belt tension</li> <li>2. Spindle is dry</li> <li>3. Pulley is loose</li> <li>4. Bearing damaged</li> </ol>	<ol style="list-style-type: none"> <li>1. Adjust tension</li> <li>2. Disassemble spindle/quill and lubricate</li> <li>3. Tighten pulley</li> <li>4. Replace the bearing</li> </ol>
Excessive drill wobble	<ol style="list-style-type: none"> <li>1. Chuck is loose</li> <li>2. Bearing or spindle shaft is worn</li> <li>3. Chuck is worn</li> </ol>	<ol style="list-style-type: none"> <li>1. Tighten the chuck by pressing it against the table (see 5.1.6. to 5.1.8.)</li> <li>2. Replace worn part</li> <li>3. Replace the chuck</li> </ol>
Drill binds in the workpiece	<ol style="list-style-type: none"> <li>1. Feed pressure is wrong</li> <li>2. Belt is loose</li> <li>3. Drill is loose</li> <li>4. Speed is too fast</li> </ol>	<ol style="list-style-type: none"> <li>1. Apply less pressure</li> <li>2. Adjust tension</li> <li>3. Tighten the drill with the key</li> <li>4. Change the speed</li> </ol>
Drill burns or smokes	<ol style="list-style-type: none"> <li>1. Speed is too fast</li> <li>2. Chips are not discharging</li> <li>3. Drill bit is dull</li> <li>4. Lubrication needed for work</li> <li>5. Feed pressure is wrong</li> </ol>	<ol style="list-style-type: none"> <li>1. Change the speed</li> <li>2. Clean the drill</li> <li>3. Use a new bit</li> <li>4. Lubricate while drilling</li> <li>5. Apply less pressure</li> </ol>
Table is difficult to move	<ol style="list-style-type: none"> <li>1. Lubrication is needed</li> </ol>	<ol style="list-style-type: none"> <li>1. Lubricate with light oil</li> </ol>



**NOTE:** It is our policy to continually improve products and as such we reserve the right to alter data, specifications and component parts without prior notice.

**IMPORTANT:** No liability is accepted for incorrect use of this product.

**WARRANTY:** Guarantee is 12 months from purchase date, proof of which will be required for any claim.

**INFORMATION:** For a copy of our latest catalogue and promotions call us on 01284 757525 and leave your full name and address, including postcode.



Sole UK Distributor, Sealey Group,  
Kempson Way, Suffolk Business Park,  
Bury St. Edmunds, Suffolk,  
IP32 7AR

01284 757500

www.sealey.co.uk

01284 703534

sales@sealey.co.uk