



# 50L INDUSTRIAL DEHUMIDIFIER

MODEL NO: **SDH50.V3**

Thank you for purchasing a Sealey product. Manufactured to a high standard, this product will, if used according to these instructions, and properly maintained, give you years of trouble free performance.

**IMPORTANT:** PLEASE READ THESE INSTRUCTIONS CAREFULLY. NOTE THE SAFE OPERATIONAL REQUIREMENTS, WARNINGS & CAUTIONS. USE THE PRODUCT CORRECTLY AND WITH CARE FOR THE PURPOSE FOR WHICH IT IS INTENDED. FAILURE TO DO SO MAY CAUSE DAMAGE AND/OR PERSONAL INJURY AND WILL INVALIDATE THE WARRANTY. KEEP THESE INSTRUCTIONS SAFE FOR FUTURE USE.



Refer to instructions



Do not cover



Warning!  
Risk of fire

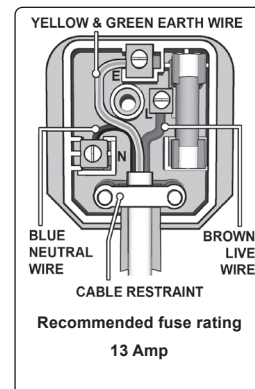


Indoor Use Only

## 1. SAFETY

### 1.1. ELECTRICAL SAFETY

- WARNING!** It is the responsibility of the owner and the operator to read, understand and comply with the following:  
You must check all electrical products, before use, to ensure that they are safe. You must inspect power cables, plugs, sockets and any other connectors for wear or damage. You must ensure that the risk of electric shock is minimised by the installation of appropriate safety devices. A Residual Current Circuit Breaker (RCCB) should be incorporated in the main distribution board. You must also read and understand the following instructions concerning electrical safety.
- ✓ Ensure that cables are always protected against short circuit and overload.
- ✓ Regularly inspect power supply cables and plugs for wear or damage and check all connections to ensure that none are loose.
- ✓ Ensure that the voltage marked on the appliance matches the power supply to be used and that the plug is fitted with the correct fuse - see fuse rating at right.
- ✗ **DO NOT** use worn or damaged cables, plugs or connectors. Have any faulty item repaired or replaced immediately by a competent electrician.
- ✓ It is recommended that this device is wired directly to a fused isolator switch. If, however, a plug is fitted, the following applies:
- ✓ Fit a new plug according to the following instructions (UK only).
  - a) Connect the GREEN/YELLOW earth wire to the earth terminal 'E'.
  - b) Connect the BROWN live wire to the live terminal 'L'.
  - c) Connect the BLUE neutral wire to the neutral terminal 'N'.
  - d) After wiring, check that there are no bare wires, that all wires have been correctly connected, that the cable restraint is tight.



### 1.2. GENERAL SAFETY

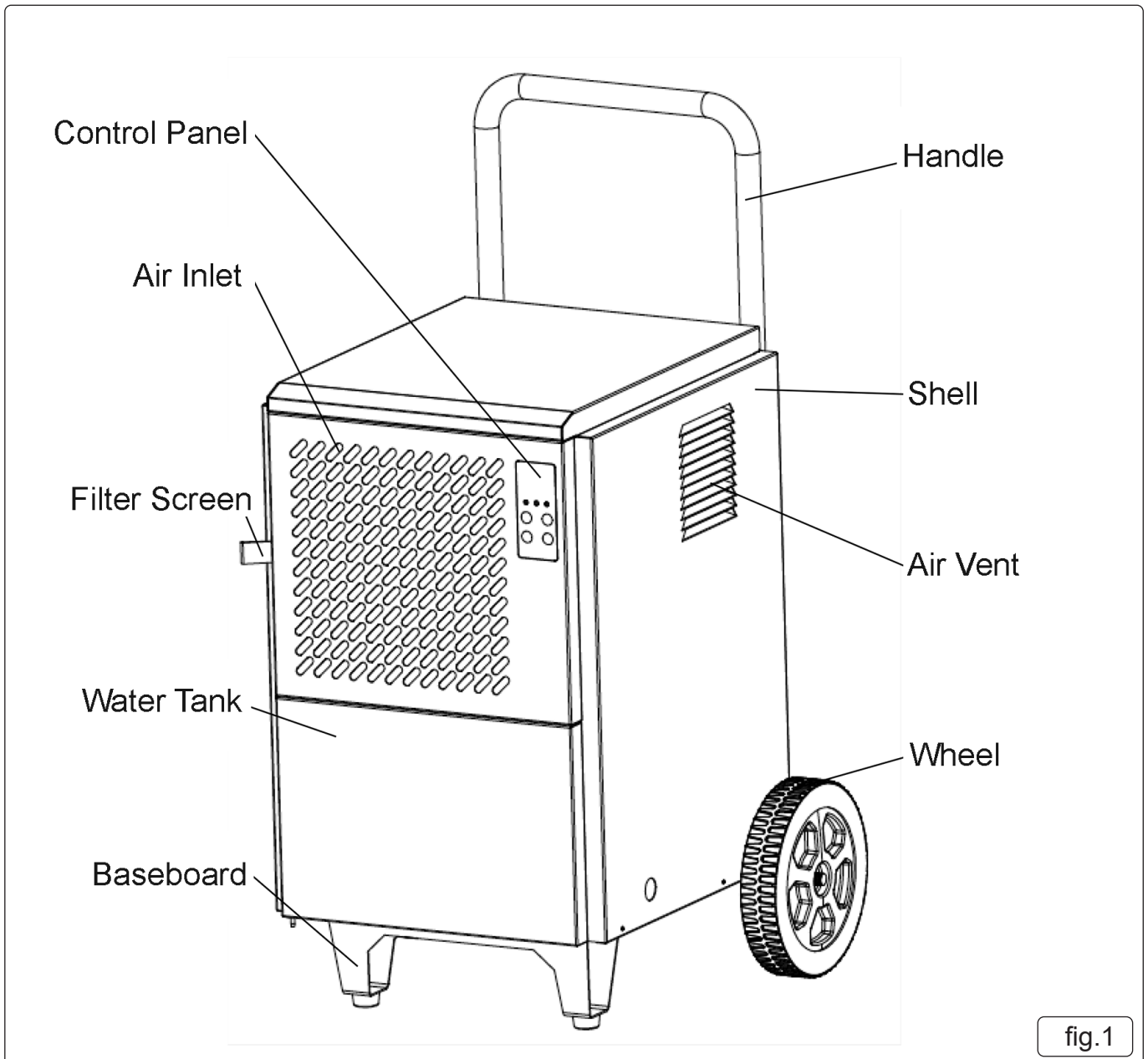
- ✓ Check that the dehumidifier is in sound condition and good working order. Take immediate action to repair or replace damaged parts.
- ✓ Use recommended parts only. Unauthorised parts may be dangerous and will invalidate the warranty.
- ✗ **DO NOT** stand or place any object less than 10cm from the front or rear of the unit.
- ✗ **DO NOT** obstruct the air intakes or outlets of the dehumidifier.
- ✗ **DO NOT** place any object into the outlets - the unit has a fan running at high speed, contact with this will cause injury.
- ✗ **DO NOT** operate the dehumidifier when you are tired or under the influence of alcohol, drugs or intoxicating medication.
- ✗ **DO NOT** switch the dehumidifier off by disconnecting it from the mains. ALWAYS switch to the "OFF" position first.
- ✗ **DO NOT** remove the float lever from the water collection tank.
- ✗ **DO NOT** connect or disconnect the plug from the mains with wet hands.
- ✓ Always discard the water from the collection tank, **DO NOT** use it for any other purpose.
- ✓ Place the dehumidifier on a level and stable surface.
- ✗ **DO NOT** use the dehumidifier at ambient temperatures below 5°C.
- ✗ **DO NOT** use the dehumidifier outside.
- ✗ **DO NOT** use means to accelerate the defrosting process or to clean, other than those recommended by the manufacturer.
- ✓ The appliance shall be stored in a room without continuously operating ignition sources (for example: open flames, an operating gas appliance or an operating electric heater).
- ✗ **DO NOT** pierce or burn.
- ✓ Be aware that refrigerants may not contain an odour.
- ✓ When using continuous draining, make sure that the drain hose is positioned correctly.
- ✓ Ensure that heating appliances are not exposed to the flow of air from the dehumidifier.
- ✓ Before attempting to move the dehumidifier, empty the contents of the collection tank.
- ✓ Switch off and disconnect it from the mains before attempting any cleaning or other maintenance work.
- ✓ Ensure that the dehumidifier is correctly turned off when not in use, and stored in a safe, dry area, out of reach of children.  
This appliance can be used by children aged from 8 years and above and persons with reduced physical, sensory or mental capabilities or lack of experience or knowledge if they have been given supervision or instruction concerning use of the appliance in a safe way and understand the hazards involved. Children shall not play with the appliance. Cleaning and user maintenance shall not be made by children without supervision.
- WARNING:** If the power cord is damaged, it must be replaced by a professionally trained person.

## 2. INTRODUCTION

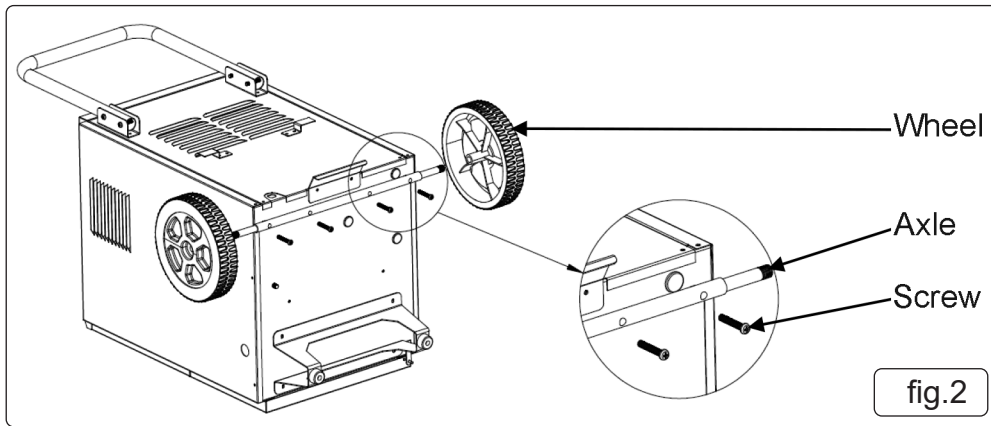
Powerful dehumidification capacity, extracts up to 50 litres of water per day. Removes excess moisture from air, preventing build-up of mildew and mould. Features auto-defrost function, which activates if the room temperature falls too low. The unit has a 24hr timer function for delay starting and auto-shut-off. Washable air filter. Refrigerant is environmentally friendly R290. May be connected to a drain hose for continuous operation. Mounted on castors for manoeuvrability.

## 3. SPECIFICATION

MODEL NO:.....	SDH50.V3
CO2 Equivalent:.....	0.0006t
Condensate Tank:.....	7L (with Auto Shut-Off)
Dehumidifying Capacity:.....	50L/day(30°CRH80%)
Freezing Pressure (Max):.....	2.5MPa
Global Warming Potential (Rating):.....	3
IP Rating:.....	IP22
Maximum Airflow:.....	350m <sup>3</sup> /hr
Power:.....	Max./Rated - 900/750W
Refrigerant:.....	R290/0.2kg
Steaming Pressure (Max):.....	1.0MPa
Supply:.....	230V
Working Space:.....	50-120m <sup>3</sup>
Working Temperature:.....	5-35°C

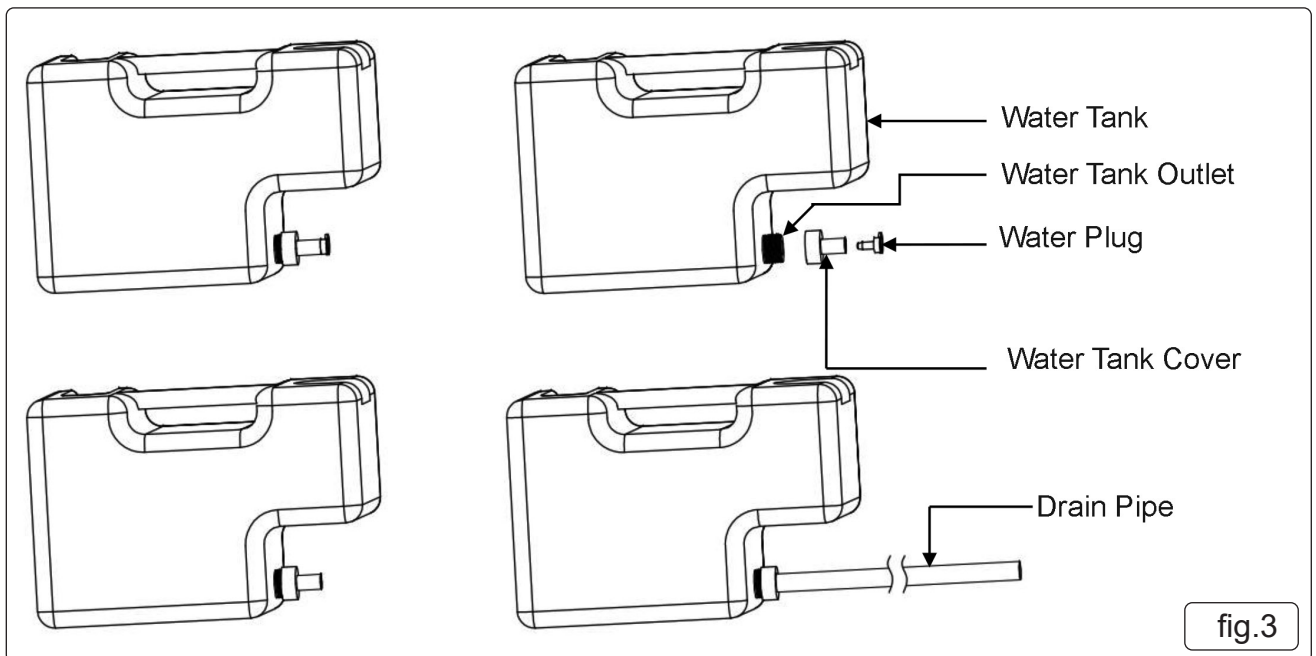


## 4. ASSEMBLY



- 4.1. WHEEL INSTALLATION:** Take the machine body, wheel axle, wheel and screws out of the packaging case, and lay the machine body down. As shown in Fig. 2, fix the wheel axle on the machine body with 4 screws, and fix a wheel at both end of the axle. Return the unit to an upright position after attaching the wheels.
- 4.2. HANDLE INSTALLATION:** marry up the holes in the brackets with the holes in the bottom of the handle. It may be useful to fix the screws in the lower holes first, then flip the handle upwards, and secure it with the screws in the upper holes.
- Note:** Once assembled, **DO NOT** use for 2 hours.

## 5. OPERATION

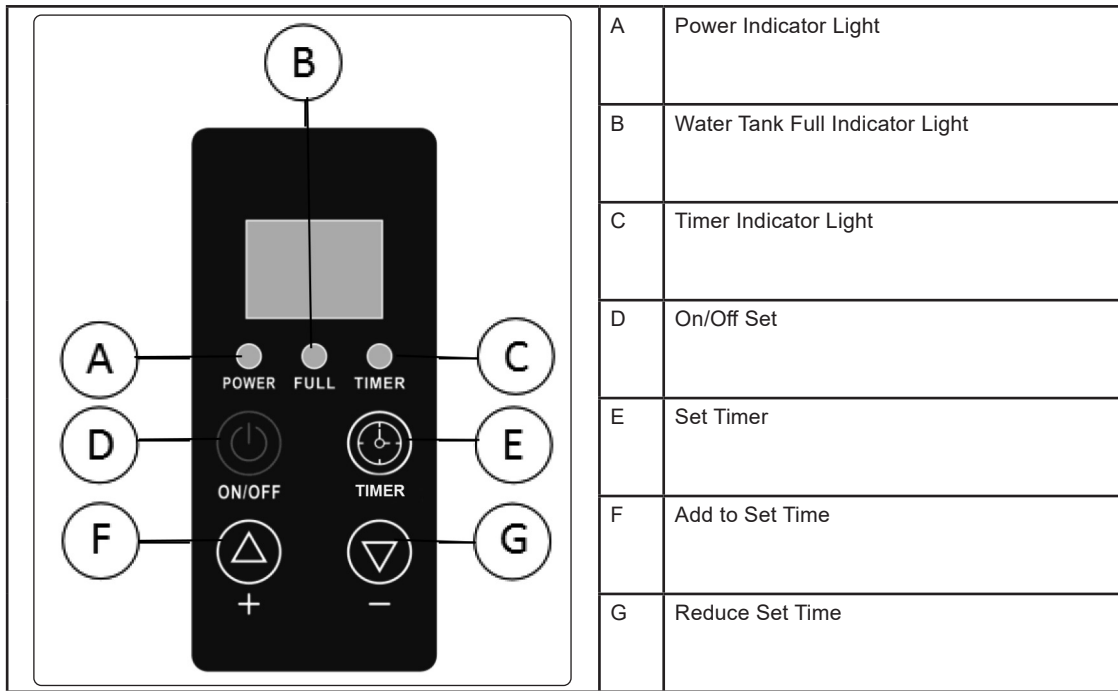


- 5.1. Water tank usage:** You may use the water tank in two ways.
- 5.1.1. DIRECT USE.** When the water tank is full, the machine automatically shuts down and enters the standby state, the LED displays the "Full Water" signal and the dehumidifier will alarm. When the water tank is emptied and put in place again, the dehumidifier can continue its performance.
- 5.1.2. CONTINUOUS DRAINAGE.** As shown in Fig. 3, to restore the performance of the water tank, you need to take out the water tank, and mount the drain pipe.

**Note:** When using continuous drainage, the drainage pipe shall not be set higher than the water tank.

### 5.2. FUNCTION DESCRIPTION

BUTTON	OPERATION INSTRUCTIONS
ON/OFF	Changes between Switch on and Switch off.
+	Adjust different set values in different states; 1. Increases the humidity value set (RH10% to 95%) 2. Increases the timing (hour) set (00 to 24)
-	Adjust different set values in different states; 1. Decreases the humidity value set (RH10% to 95%) 2. Decreases the timing(hour) set (00 to 24)
Timing	Short press the button to launch a cycle to off. Set on/off Timer and Exit



**5.3. HUMIDITY CONTROL**

- 5.3.1. When the rooms humidity value is 3% lower than the set humidity on the machine, the compressor will shut down, the fan will delay for 3 minutes and shut down; and when it's 3% higher than the humidity value set on the machine, both the fan and compressor will operate.
- 5.3.2. When the humidity is set at the minimum value, the machines default is to enter the continuous dehumidifying mode.
- 5.3.3. Upon fault of the humidity sensor, it turns to the continuous dehumidifying mode.
- 5.3.4. Upon fault of the coil sensor, it turns to the timing defrosting mode (See the defrosting mode).
- 5.3.5. When it's shut down, the fan will run for 10 seconds.

**5.4. PROTECTION FUNCTION**

- 5.4.1. Once shut down, the compressor will take 3 minutes to start. Quick start is available for the first power-on.
- 5.4.2. **Power off memory:** For abrupt power outage or accidental unplugging, the system will automatically return to the operating state right before the 'incident', and continue at that state for the next power-on.
- 5.4.3. **Full water protection:** When the water tank is full, the dehumidifier automatically shuts down and enters the standby state, the indicator light "Full Water" on and buzzer alarms.

**5.5. DEFROSTING MODE**

Defrosting mode	Description	
Automatic Defrosting	Sensor at normal state	1. The compressor constantly run over 20 minutes, coil temperature below 0°C constantly over 30 minutes, it starts the defrosting mode. 2. Coil temperature over 5°C for a 90 second period, or defrosting time over 8 minutes, it has stopped defrosting mode.
Defrosting faults	Coil sensor faults (E1 displayed)	1. When the ambient temperature is over 25°C, it will not start a defrosting cycle; 2. When ambient temperature below than 25°C but higher than 15°C, the compressor runs constantly for 30 minutes, it defrosts for 10 minutes of that 30 minute period; 3. When ambient temperature below than 15°C and higher than 4°C, compressor runs constantly 20 minutes, it defrosts 12 minutes;
	Temp-damp sensor faults	1. The compressor runs constantly over 20 minutes, coil temperature below 0°C constantly run over 20 minutes, it starts defrosting mode.
	Coil sensor and temp-damp sensor faults	1. The compressor run constantly over 40 minutes, it defrosts 10 minutes; 2. Coil temperature over 5°C constantly over 90 seconds; or defrosting time over 25 minutes, it stops defrosting mode.

**5.6. TIMING AND ON/OFF FUNCTION**

- 5.6.1. When the machine is powered on, set timer for powering off; and when the machine is powered off, set timer for it to power on. Setting timer for both powering on and off then initiates the cycle timer mode.
- 5.6.2. **Set timer for powering on:** When it's powered off, press the "Timing" Button. As the "Timing On" icon flickers and the time set flickers in relevant area, press "+" or "-" to adjust the timing. The dehumidifier will make a sound once the button is pressed. When the time set increases or decreases by "1", holding the button for 2 seconds will continually increase or decrease the time. For non-action for 10s when it's adjusted to the required value, the dehumidifier accepts the new setting and the "Timing On" icon flickers (Ranging from 0 to 24H, and 0H as default);
- 5.6.3. **Set timer for powering off:** When it's powered on, press the "Timing" Button. As the "Timing Off" icon flickers and the time set flickers in relevant area, press "+" or "-" to adjust the timing. The dehumidifier makes a sound once the button is pressed. When the time set increases or decreases by "1", holding the button constantly for 2s can continually increase or decrease the time. For non-action for 10s when it's adjusted to the required value, the dehumidifier accepts the new setting and the "Timing Off" icon flickers (Ranging from 0H to 24H, and 0H as default);

## 6. TROUBLESHOOTING

6.1. Upon fault of the dehumidifier, please cut off the power supply immediately, unplug the plug and check the following items:

Faults	Cause Analysis	Solutions	
Fails to turn on	Shown as no power	No power to the wall socket.	Check the power supply.
		Check the plug plugged in properly.	Plug the power supply in the socket.
		Check the fuse is not blown.	Replace the fuse.
		Power Transformer is broken.	Replace the transformer.
	Shown as power on	Environmental humidity lower than the set value.	Set again according to the demand.
		If the water tank is installed correctly.	Place the water tank in right position.
If the entire machine is defrosting.		Wait for the completion of defrosting cycle.	
Unfavourable dehumidifying effect	If the air inlet/outlet is obstructed.	Remove the obstacle.	
	If the door and window are open.	Close the door and window.	
	If the indoor temperature is too low.	Don't run the dehumidifier.	
Heavy noise	If the ground is firm and flat.	Resettle the dehumidifier.	
	Dehumidifier is stood precariously.	Resettle the dehumidifier.	
Water leakage	Dehumidifier stood on an incline.	Move dehumidifier to a level surface.	
	Drain pipe/outlet obstructed.	Dismantle the front plate to eliminate blockages.	
E1	Coil sensor fault	Turn to timing for defrosting, to cancel system fault function.	
E2/E3	Fault of humidity & temperature sensor.	Replace the humidity & temperature sensor.	
EE	Refrigerant leakage.	Start the machine after. Ask for help from professionals if the "EE" signal remains.	

6.2. If the said methods still fail to eliminate the above problems, please directly contact the manufacturer or agents. **DO NOT** disassemble the dehumidifier, contact Sealey for repairs.

6.3. It's normal to hear the sound of the circulation of refrigerant when the dehumidifier runs.

6.4. It's normal for the air vent to blow warm air.

### 6.5. INFORMATION FOR THE USER:

6.5.1. As a precision part, the humidity sensor may be damaged when used in environment filled with strong corrosive gas and heavy dust.

6.5.2. As the dehumidifier is non-resistant against explosion, it's forbidden to be used in environment of special requirements such as that filled with combustible/explosive gas, dust, chemicals or biological products.

6.5.3. Damage caused to the dehumidifier by use in said environment will void the warranty.

6.5.4. As water may be discharged from the machine after a certain amount of use, attention shall be paid to managing this water.

6.5.5. To minimize faults and maximize the lifetime, press the buttons gently.

6.5.6. The deviation between the humidity shown on the sensor and the actual humidity is normal, due to impact by the location, environment and temperature.

6.5.7. Since the cooled air is dried by the condenser before being discharged during operation of the dehumidifier, it's normal for the air discharged to be hotter than the environment.

6.5.8. Since the dehumidifying effect is associated with the temperature and humidity of the environment, the higher the temperature and humidity of the environment, normally the greater the dehumidifying effect; while the lower the temperature and humidity of the environment, typically the lower the dehumidifying effect.



### ENVIRONMENT PROTECTION

Recycle unwanted materials instead of disposing of them as waste. All tools, accessories and packaging should be sorted, taken to a recycling centre and disposed of in a manner which is compatible with the environment. When the product becomes completely unserviceable and requires disposal, drain any fluids (if applicable) into approved containers and dispose of the product and fluids according to local regulations.

**Note:** It is our policy to continually improve products and as such we reserve the right to alter data, specifications and component parts without prior notice. Please note that other versions of this product are available. If you require documentation for alternative versions, please email or call our technical team on [technical@sealey.co.uk](mailto:technical@sealey.co.uk) or 01284 757505.

**Important:** No Liability is accepted for incorrect use of this product.

**Warranty:** Guarantee is 12 months from purchase date, proof of which is required for any claim.

Sealey Group, Kempson Way, Suffolk Business Park, Bury St Edmunds, Suffolk. IP32 7AR



01284 757500



01284 703534



[sales@sealey.co.uk](mailto:sales@sealey.co.uk)



[www.sealey.co.uk](http://www.sealey.co.uk)