

Thank you for purchasing a Sealey product. Manufactured to a high standard this product will, if used according to these instructions and properly maintained, give you years of trouble free performance.



IMPORTANT: PLEASE READ THESE INSTRUCTIONS CAREFULLY. NOTE THE SAFE OPERATIONAL REQUIREMENTS, WARNINGS & CAUTIONS. USE THE PRODUCT CORRECTLY AND WITH CARE FOR THE PURPOSE FOR WHICH IT IS INTENDED. FAILURE TO DO SO MAY CAUSE DAMAGE AND/OR PERSONAL INJURY, AND WILL INVALIDATE THE WARRANTY. PLEASE KEEP INSTRUCTIONS SAFE FOR FUTURE USE.

1. SAFETY INSTRUCTIONS

1.1. ELECTRICAL SAFETY

WARNING! It is the responsibility of the owner and the operator to read, understand and comply with the following:

You must check all electrical products, before use, to ensure that they are safe. You must inspect power cables, plugs, sockets and any other connectors for wear or damage. You must ensure that the risk of electric shock is minimised by the installation of appropriate safety devices. A Residual Current Circuit Breaker (RCCB) should be incorporated in the main distribution board. We also recommend that a Residual Current Device (RCD) is used. It is particularly important to use an RCD with portable products that are plugged into a supply which is not protected by an RCCB. If in any doubt consult a qualified electrician. You may obtain a Residual Current Device by contacting your Sealey dealer. **You must also read and understand the following instructions concerning electrical safety.**

1.1.1. The **Electricity at Work Act 1989** requires all portable electrical appliances, if used on business premises, to be tested by a qualified electrician, using a Portable Appliance Tester (PAT), at least once a year.

1.1.2. The **Health & Safety at Work Act 1974** makes owners of electrical appliances responsible for the safe condition of those appliances and the safety of the appliance operators. **If in any doubt about electrical safety, contact a qualified electrician.**

1.1.3. Ensure that the insulation on all cables and on the appliance is safe before connecting it to the power supply. See 1.1.1. and 1.1.2. and use a Portable Appliance Tester.

1.1.4. Ensure that cables are always protected against short circuit and overload.

1.1.5. Regularly inspect power supply cables and plugs for wear or damage and check all connections to ensure that none is loose.

1.1.6. **Important:** Ensure that the voltage marked on the appliance matches the power supply to be used and that the plug is fitted with the correct fuse - see fuse rating at right.

1.1.7. **DO NOT** pull or carry the appliance by the power cable.

1.1.8. **DO NOT** pull the plug from the socket by the cable.

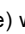
1.1.9. **DO NOT** use worn or damaged cables, plugs or connectors. Immediately have any faulty item repaired or replaced by a qualified electrician. When an ASTA/BS approved UK 3 pin plug is damaged, cut the cable just above the plug and **dispose of the plug safely.** Fit a new plug according to the following instructions (UK only).

a) Connect the **GREEN/YELLOW** earth wire to the earth terminal 'E'.

b) Connect the **BROWN** live wire to the live terminal 'L'.

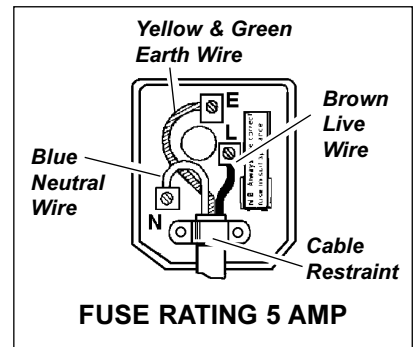
c) Connect the **BLUE** neutral wire to the neutral terminal 'N'.

d) **After wiring, check that there are no bare wires, that all wires have been correctly connected, that the cable outer insulation extends beyond the cable restraint and that the restraint is tight.**

Double insulated products, which are always marked with this symbol , are fitted with live (brown) and neutral (blue) wires only. To rewire, connect the wires as indicated above - **DO NOT** connect either wire to the earth terminal.

1.1.10. Products which require more than 13 amps are supplied without a plug. In this case you must contact a qualified electrician to ensure that a suitably rated supply is available. We recommend that you discuss the installation of an industrial round pin plug and socket with your electrician.

1.1.11. If an extension reel is used it should be fully unwound before connection. A reel with an RCD fitted is preferred since any appliance plugged into it will be protected. The cable core section is important and should be at least 1.5mm², but to be absolutely sure that the capacity of the reel is suitable for this product and for others which may be used in the other output sockets, we recommend the use of 2.5mm² section cable. If extension reel is to be used outdoors, ensure it is marked for outdoor use.



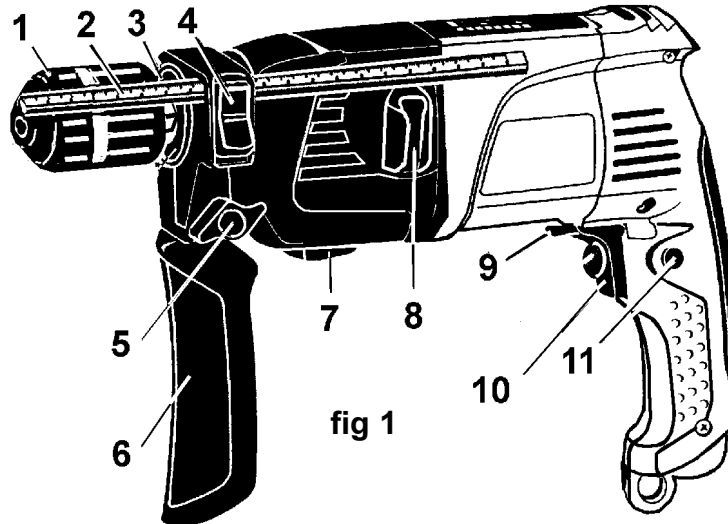
1.2 GENERAL SAFETY

- ✓ Disconnect the drill from the mains power before changing accessories, servicing or performing any maintenance.
- ✓ Maintain drill in good condition. Check moving parts and alignment, and keep drill bits sharp. If necessary use an authorised service agent.
- ✓ Replace or repair damaged parts. *Use recommended parts only. Unauthorised parts may be dangerous and will invalidate the warranty.*
- ✓ Wear approved safety eye protection with side shields, and a dust mask if drilling generates dust. Rubber gloves are recommended when using out doors, and safety gloves when drilling items such as steel, brick work etc.
- ✓ Remove ill fitting clothing. Remove ties, watches, rings, and other loose jewellery, and contain long hair.
- ✓ Prevent body contact with grounded surfaces to avoid electric shock i.e. pipes, radiators, ranges, refrigerators etc.
- ✓ Evaluate your working area before using the drill i.e. ceiling, floors and enclosures may contain hidden electrical wires or water piping.
- ✓ Maintain correct balance and footing. **DO NOT** over-reach. Ensure the floor is not slippery and wear non-skid shoes.
- ✓ The supplementary handle grip should always be attached for use.
- ✓ Keep children and unauthorised persons away from the working area.
- ✓ Secure non stable workpiece with a clamp, vice or other adequate holding device. **DO NOT** hold unsecured work in your hand.
- ✓ Avoid unintentional starting, and ensure the lock on button is disengaged before use.
- x **DO NOT** force the drill to achieve a task it was not designed to perform.
- x **DO NOT** operate drill where there are flammable liquids or gasses.
- x **DO NOT** get the drill wet or use in damp or wet locations.
- x **DO NOT** operate the drill if any parts are missing or the drill is damaged as this may cause failure or possible personal injury.
- x **DO NOT** operate the drill when you are tired or under the influence of alcohol, drugs or intoxicating medication.
- x **DO NOT** carry the drill with your finger on the power switch, or carry by the power cord, or leave the drill running whilst unattended.
- ✓ When not in use switch drill off, remove plug from power supply, clean the drill and store in safe, dry, childproof area.

2. TECHNICAL SPECIFICATIONS

MODEL	SDE1050
Input power230 V - 4.7 A, 1050W
Speed at no load200 - 1050 / 500 - 2500rpm
Spindle thread1/2" x 20UNF
Hammer action2800 - 8300 / 6800 - 20200bpm
Drilling capacity for steel15mm
Maximum capacity for wood32mm
Maximum capacity for Masonry22mm
Weight3kg

- | | |
|--------------------------|------------------------------------|
| 1. Keyless chuck | 7. 2 Speed gearbox control switch. |
| 2. Depth stop gauge | 8. Hammer switch |
| 3. Chuck shaft nut | 9. Reverse lever |
| 4. Depth gauge lock | 10. Variable ON/OFF trigger |
| 5. Handle lock | 11. Trigger lock |
| 6. Removable handle grip | |



3. OPERATING INSTRUCTIONS

3.1. PREPARING DRILL FOR USE.

- 3.1.1. Ensure the drill is switched off and unplugged from the mains power supply.
- 3.1.2. Fit supplementary handle grip (fig 1 item 6) by placing over chuck head and onto the machine neck. Secure with the handle lock (5). The handle may be placed at angles affording a more stable grip for various drilling tasks. The handle grip further allows the attachment of a depth gauge. To fit the gauge release lock (4) and slide the gauge (2) through the corresponding hole and re-lock (4).

3.2. DRILL SPEED

The required speed (Revolutions per minute or RPM). will depend on the material and task, and can be determined by testing. Following may be used as a guide.

- 3.2.1. Your drill has a variable speed control on/off trigger (fig 1 item 10) which increases the speed the more the trigger is depressed (SDE 850 only). The drill also incorporates a 2 speed mechanical gearbox (7) which adds versatility to the high and low speed settings.
 - a) Low speeds are recommended for hard materials i.e. stone, ceramic, glass, concrete, high tensile steel, and tasks such as starting holes without centre punch, driving screws, mixing paint etc. Note: the lower the speed the higher the torque.
 - b) Medium speeds are suitable for plastics and laminates.
 - c) High speeds recommended for soft materials such as wood, aluminium, copper, bronze and brass.
- 3.2.2. Lower speeds may be controlled by turning the 2 speed gear shift switch (7) to setting "2", and setting "1" for higher speeds.

DO NOT run your drill at low to medium speeds for extended periods of time as this may cause drill to overheat. To cool drill run it without a load for approximately 3 minutes at full speed.

3.3. TRIGGER LOCK.

- 3.3.1. Your drill has a button lock (fig 1. 11) which is convenient for continuous drilling. To lock on, depress the trigger (10) push in and hold the lock-on button then release trigger. Release the lock-on button and your drill will continue running.
- 3.3.2. To release the lock depress the trigger and release it.
- 3.3.3. Power failure. If you have the lock-on feature engaged during use and your drill becomes disconnected from the power supply, disengage the lock-on feature immediately.

WARNING! before connecting your drill to power supply, ensure it is not in the lock-on position as this may result in damage and personal injury. Depress the trigger to ensure release. DO NOT use the lock-on facility for jobs where your drill may need to be stopped suddenly.

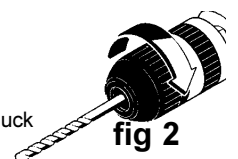
3.4. DEPTH STOP GAUGE.

Ensure the workpiece has a flat surface and is wide enough for the gauge to butt up against when the required depth has been reached. Measure back from tip of the drill bit to the point at which the drill must stop. Release lock (fig 1.4) and extend the depth gauge to the point at which you wish to stop drill penetrating further and lock (4). Once drill has reach correct depth the gauge will butt up against workpiece and stop further inward progress.

3.5. DRILL OR TOOL BIT FITTING.

WARNING! Unplug from the mains power supply before placing bit into chuck.

Open or close the chuck jaws to a point where the opening is slightly larger than the drill or tool bit to be used. Also raise the front of the drill slightly to stop the bit from falling out of the chuck jaws. Insert the drill bit into the chuck as far as it will go and tighten the chuck securely by hand (fig 2).



3.6. HAMMER DRILLING.

The hammer action accompanied with a masonry drill bit is used to assist penetration into concrete, stone and masonry. To use the drill's hammer function turn the hammer switch (fig 1.8) up toward the hammer symbol. To disengage the hammer function turn the hammer switch back to the drill bit symbol. **Note:** You may shift the hammer button when the drill is running without damaging the machine.

