

Thank you for purchasing a Sealey Product. Manufactured to a high standard this product will, if used according to these instructions and properly maintained, give you years of trouble free performance.

**IMPORTANT:** PLEASE READ THESE INSTRUCTIONS CAREFULLY. NOTE THE SAFE OPERATIONAL REQUIREMENTS, WARNINGS AND CAUTIONS. USE THIS PRODUCT CORRECTLY AND WITH CARE FOR THE PURPOSE FOR WHICH IT IS INTENDED. FAILURE TO DO SO MAY CAUSE DAMAGE OR PERSONAL INJURY, AND WILL INVALIDATE THE WARRANTY. PLEASE KEEP INSTRUCTIONS SAFE FOR FUTURE USE.

### 1. SAFETY INSTRUCTIONS

#### 1.1 GENERAL SAFETY

- WARNING!** Ensure Health & Safety, local authority, and general workshop practice regulations are adhered to when using this stand.
- ✓ Use the stand in a suitable work area.
- ✓ Keep the work area clean, uncluttered and ensure there is adequate lighting.
- x **DO NOT** use the stand for any purpose other than that for which it is designed.
- x **DO NOT** use stand on uneven ground.
- x **DO NOT** use stand if any part is significantly damaged.
- ✓ Ensure the SDA01 is securely fixed to the stand using the correct mounting brackets.
- ✓ Keep children and unauthorised persons away from the work area.

### 2. DESCRIPTION

Stand will support one or two SDA01 Air Panel Dryers allowing operator more time for other tasks. Fully adjustable for height and dryer angle. Supplied with coiled air hoses and fittings. (If used with only one dryer the second outlet must be closed with a suitable 1/4" BSP plug - not supplied).

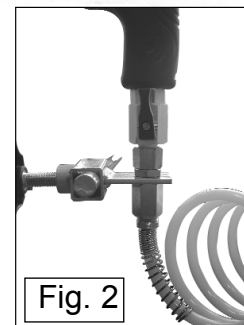
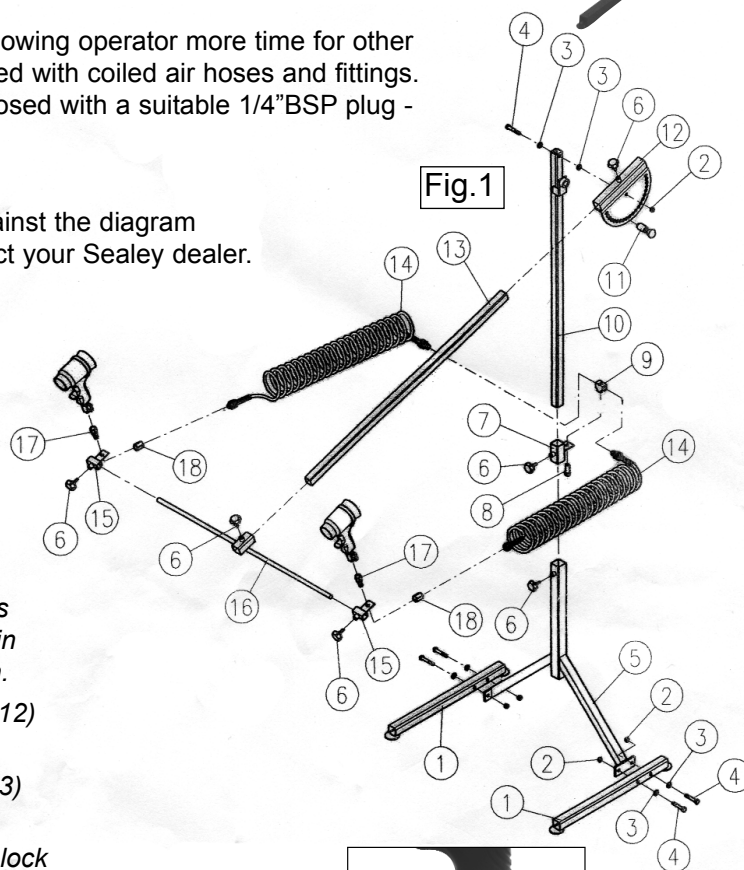
### 3. CONTENTS

Carefully unpack the product and check the contents against the diagram (Fig. 1). Should any items be missing or damaged contact your Sealey dealer.

### 4. ASSEMBLY

Note: All number references are to Fig.1 on the right.

- 4.1 Starting with the base (5) attach the two base feet using the bolts (4) washers (3) and lock nuts (2).
- 4.2 Slide the adjustable bracket (7) onto upright (10) ensuring that the locking knob will face the front. Slide the upright assembly (10) into the base (5) and lock at desired height using lock knob (6).
- 4.3 Attach the angle disc (12) to the upright using bolts (4) washers (3) and lock nuts (2). Screw the lock pin (11) to the angle disc and use a spanner to tighten.
- 4.4 Slide the extended tube (13) into the angled disc (12) and secure with the locking knob (6).
- 4.5 Slide the lock shaft (16) onto the extended tube (13) and secure with locking knob (6).
- 4.6 Attach the brackets (15), one on either side of the lock shaft (16) and secure using locking knobs (6).
- 4.7 Attach the air hoses (14) to the joint connector (9) and joint (18).
- 4.8 Screw joint (18) through the brackets (15) and into swivel joints (17). (Fig. 2)
- 4.9 Screw SDA01 onto swivel joint (17). (Fig. 2)
- 4.10 Tighten all bolts to conclude assembly.



**NOTE:** It is our policy to continually improve products and as such we reserve the right to alter data, specifications and component parts without prior notice.  
**IMPORTANT:** No liability is accepted for incorrect use of product. **WARRANTY:** Guarantee is 12 months from purchase date, proof of which will be required for any claim.  
**INFORMATION:** For a copy of our latest catalogue and promotions call us on 01284 757525 and leave your full name and address, including postcode.